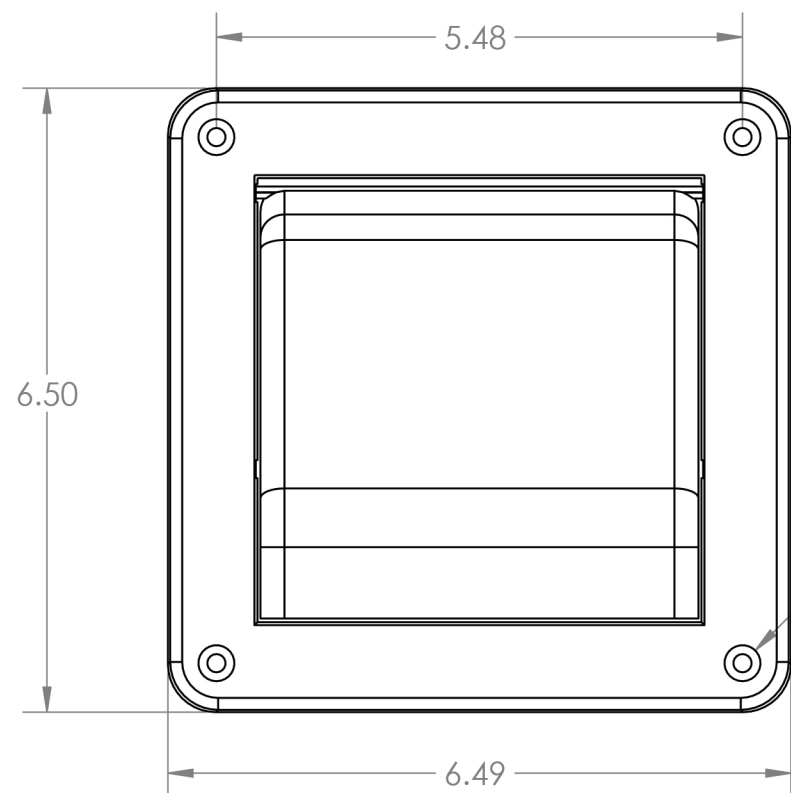


4

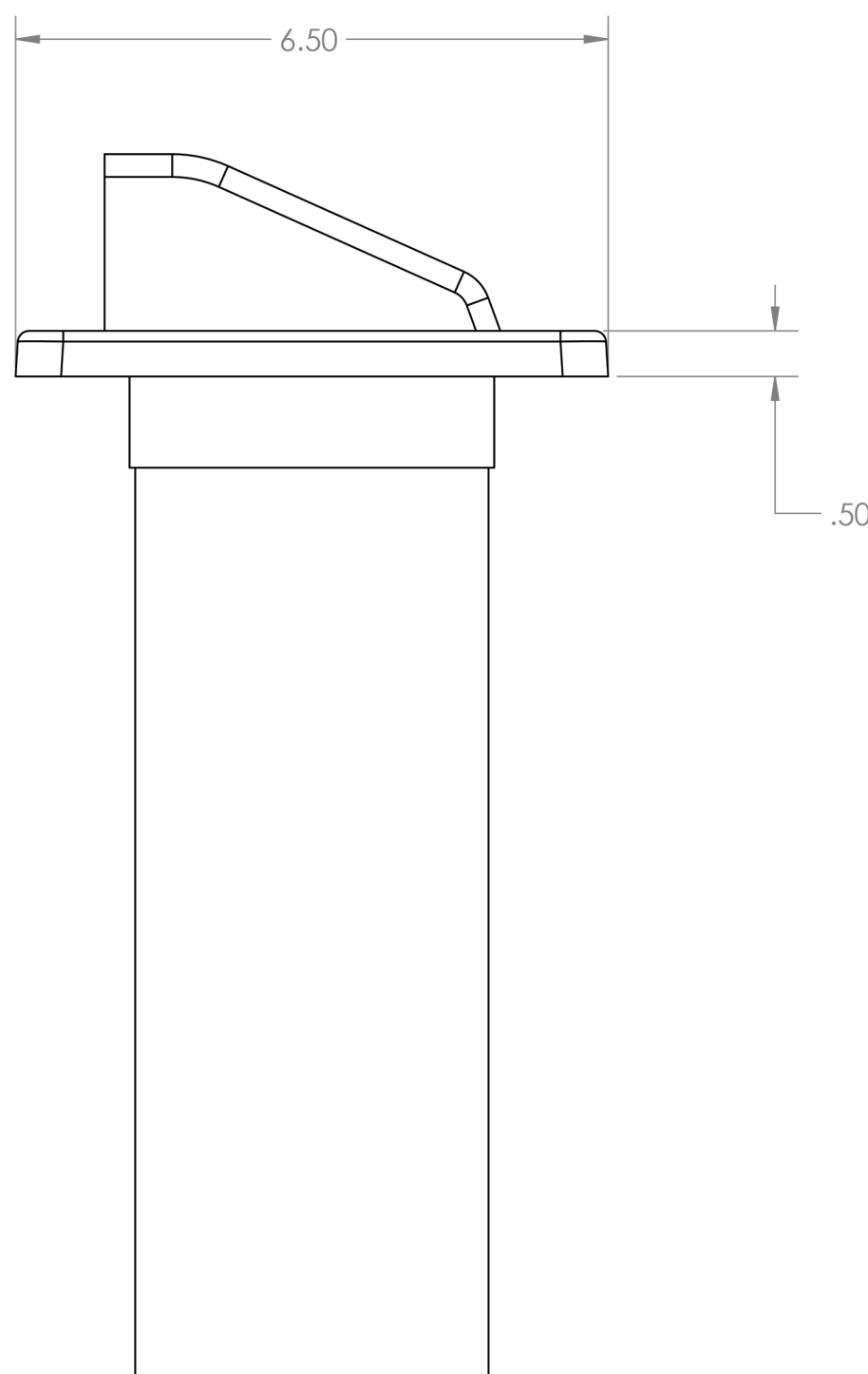
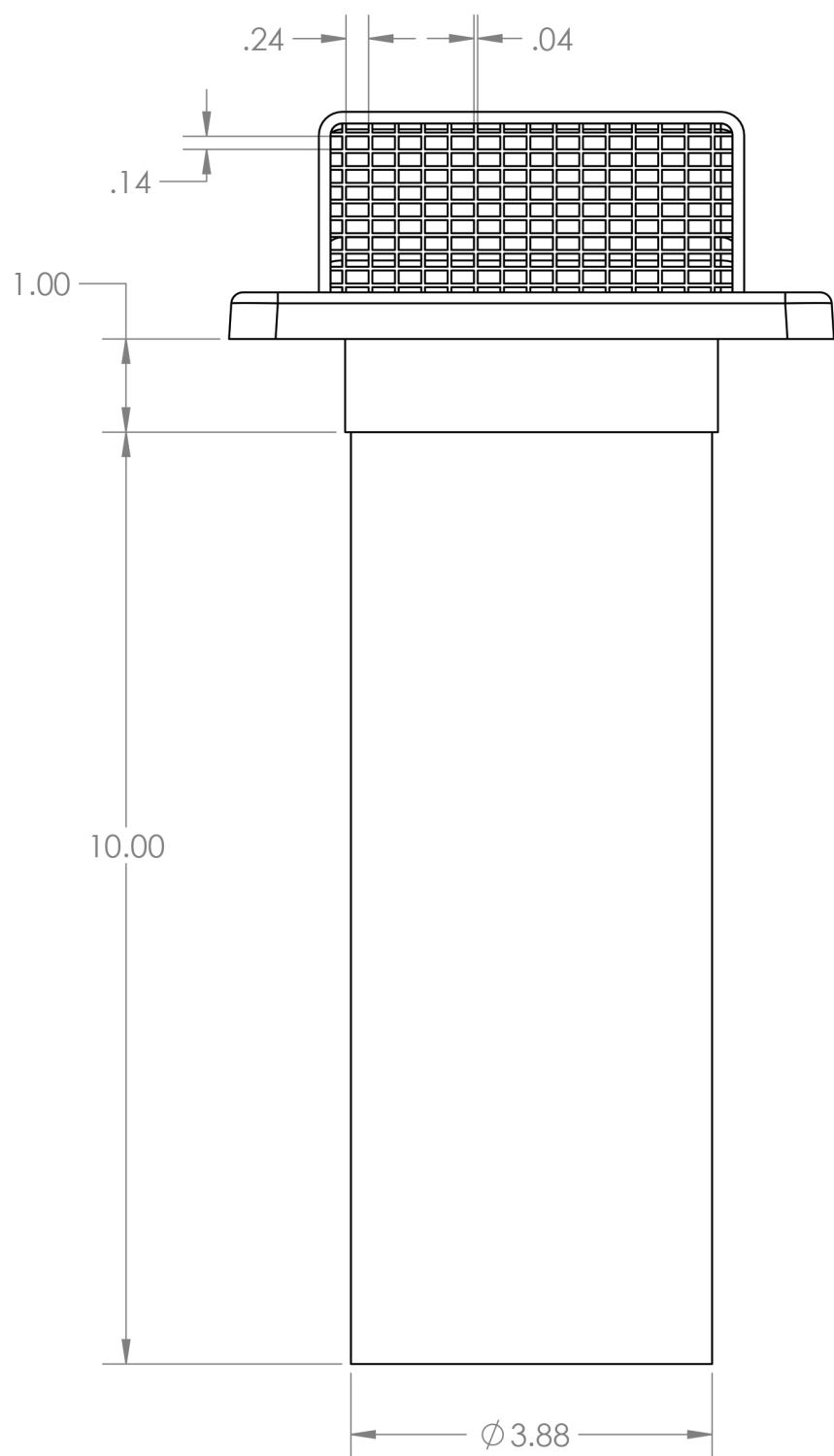
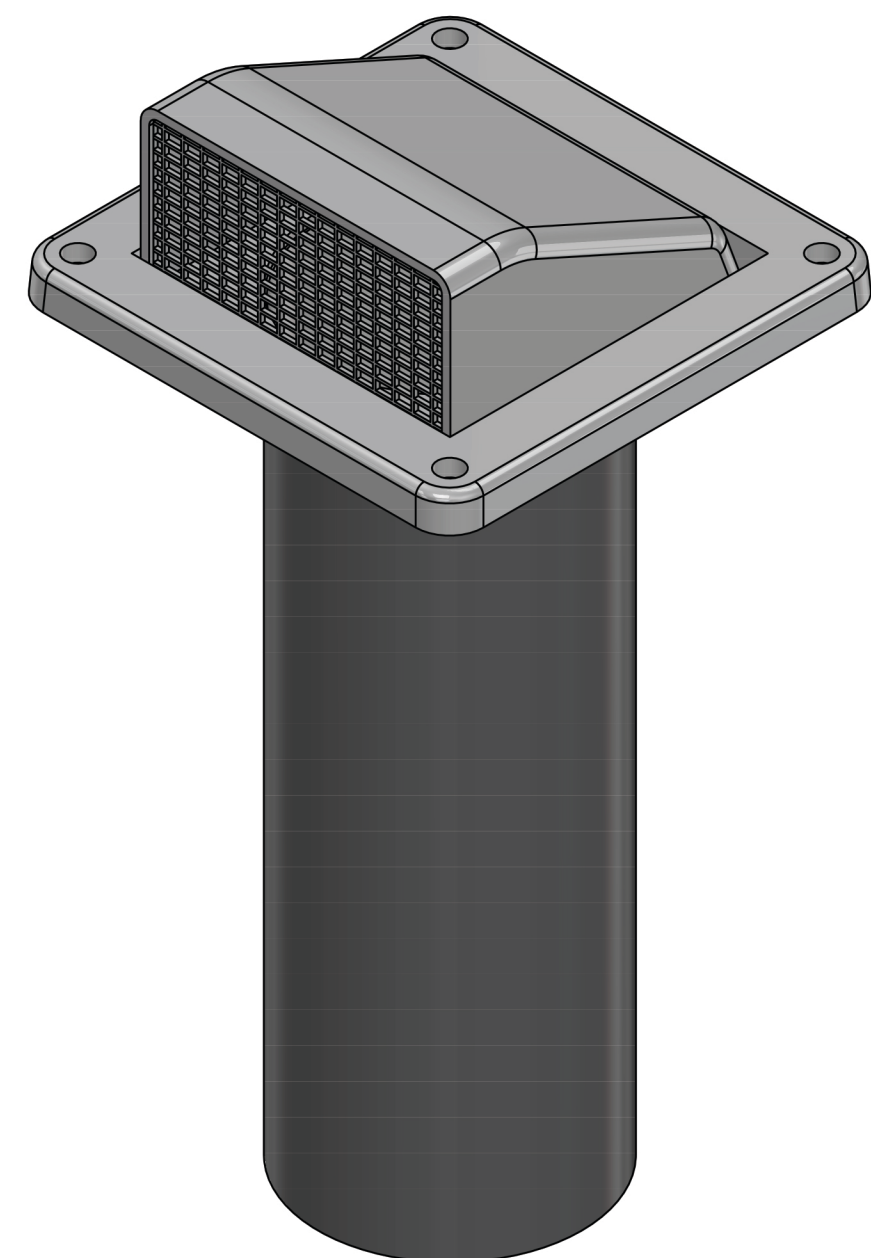
3

2

1



4X ϕ .19 THRU ALL
 \square ϕ .38 ∇ .25



LAMBRO Lambro Industries, Inc.
 115 Albany Ave.
 Amityville, NY 11701
 (631) 842-8088
 www.lambro.net

PROPRIETARY AND CONFIDENTIAL
 THE INFORMATION CONTAINED IN THIS
 DRAWING IS THE SOLE PROPERTY OF
 LAMBRO. ANY REPRODUCTION IN PART
 OR AS A WHOLE WITHOUT THE WRITTEN
 PERMISSION OF LAMBRO IS PROHIBITED.

UNLESS OTHERWISE SPECIFIED:		NAME	DATE
DIMENSIONS ARE IN INCHES	DRAWN		
TOLERANCES:	CHECKED		
FRACTIONAL: $\pm 1/16$	ENG APPR.		
ANGULAR: MACH ± 1 BEND $\pm .01$	MFG APPR.		
TWO PLACE DECIMAL ± 0.01	Q.A.		
THREE PLACE DECIMAL ± 0.005	COMMENTS:		
INTERPRET GEOMETRIC TOLERANCING PER:	Net Free Area (NFA)		
MATERIAL	Without Screen: 9 sq. in.		
FINISH	With Screen: 3 sq. in.		
APPLICATION	DO NOT SCALE DRAWING		

TITLE: 4" Plastic Wall Fresh Air Intake Vent
 1 1/2" Aluminum Pipe
 Removable Screen

SIZE	DWG. NO.	REV
SCALE: 1:2	WEIGHT:	SHEET 1 OF 1

C 604WTP

4

3

2

1