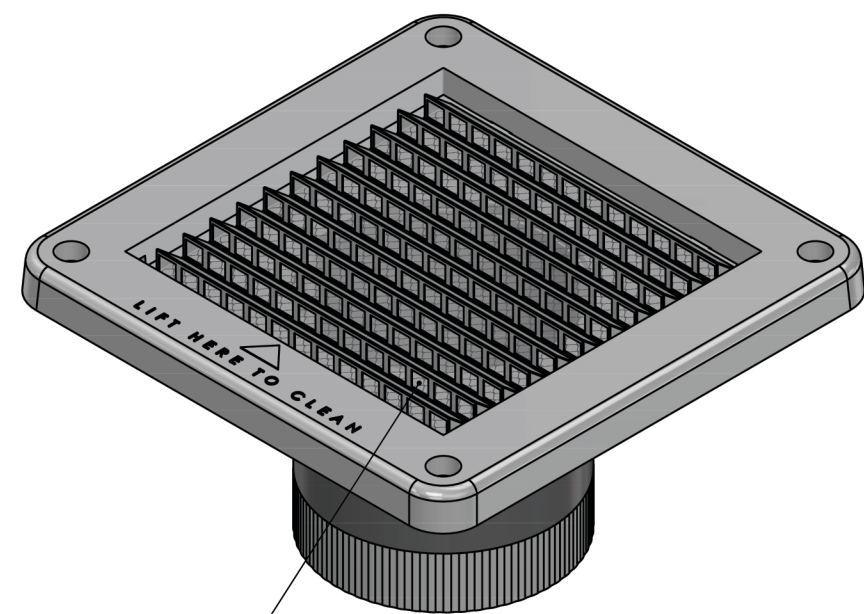
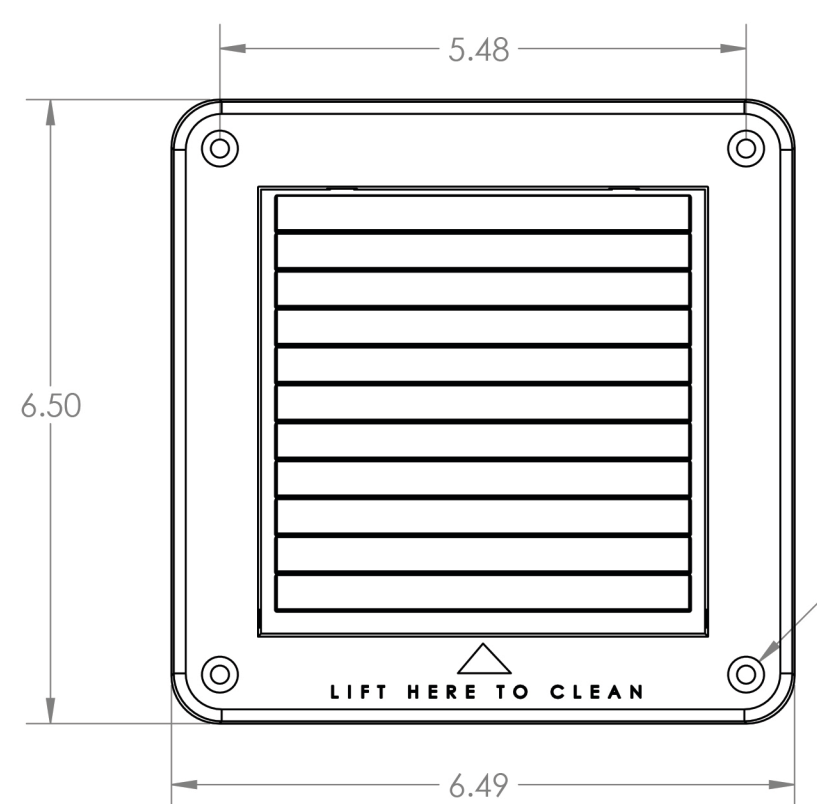


4

3

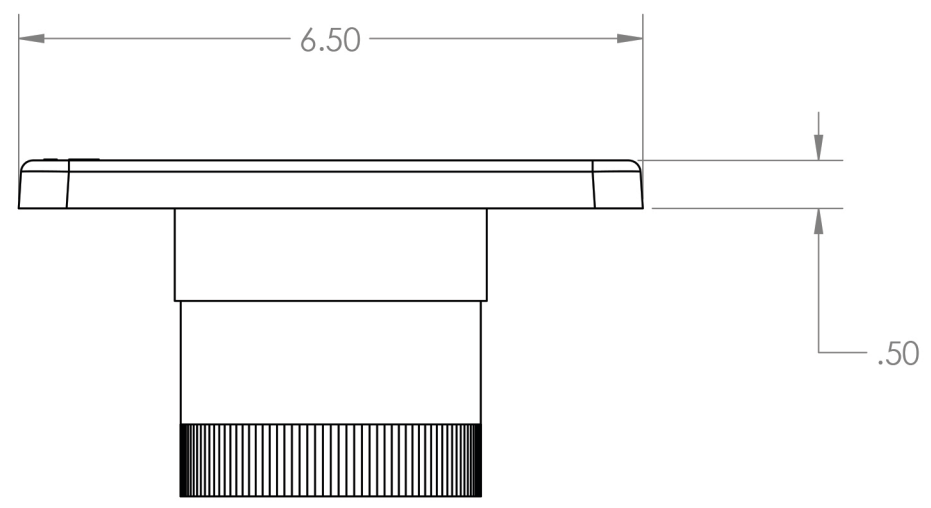
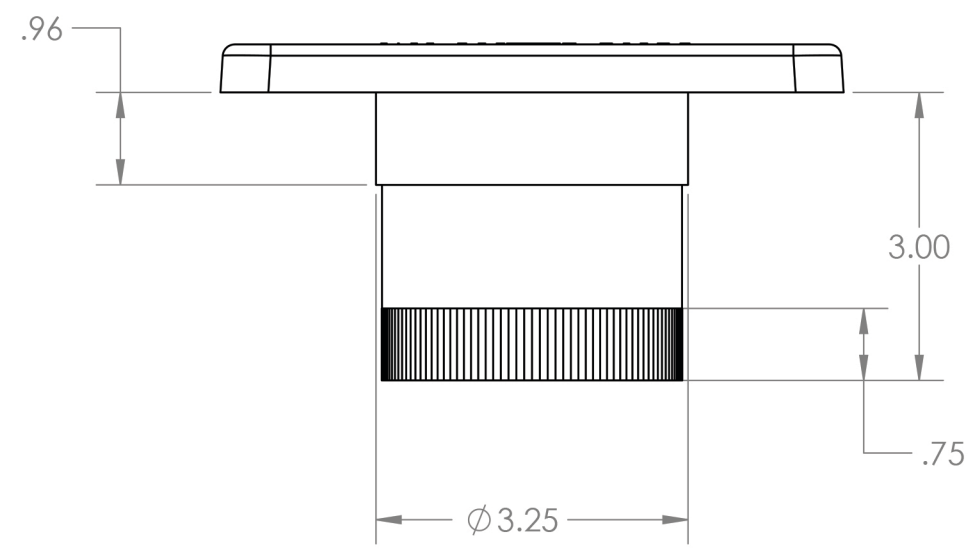
2

1



4X ϕ .19 THRU ALL
 \square ϕ .38 ∇ .25

EXPANDED METAL COVERING



Lambro Industries, Inc.
 115 Albany Ave.
 Amityville, NY 11701
 (631) 842-8088
 www.lambro.net

PROPRIETARY AND CONFIDENTIAL
 THE INFORMATION CONTAINED IN THIS DRAWING IS THE SOLE PROPERTY OF LAMBRO. ANY REPRODUCTION IN PART OR AS A WHOLE WITHOUT THE WRITTEN PERMISSION OF LAMBRO IS PROHIBITED.

| UNLESS OTHERWISE SPECIFIED: | | NAME | DATE |
|--------------------------------------|---------|---------------------|------|
| DIMENSIONS ARE IN INCHES | | DRAWN | |
| TOLERANCES: | | CHECKED | |
| FRACTIONAL \pm 1/16 | | ENG APPR. | |
| ANGULAR: MACH \pm 1 BEND \pm .01 | | MFG APPR. | |
| TWO PLACE DECIMAL \pm 0.01 | | Q.A. | |
| THREE PLACE DECIMAL \pm 0.005 | | COMMENTS: | |
| INTERPRET GEOMETRIC TOLERANCING PER: | | Net Free Area (NFA) | |
| MATERIAL | | 9 sq. in. | |
| FINISH | | | |
| NEXT ASSY | USED ON | | |
| APPLICATION | | | |
| DO NOT SCALE DRAWING | | | |

TITLE: 3" Plastic Fresh Air Intake Vent
 (Mini Louver)
 3" Aluminum Pipe

| | | |
|------------|----------------|--------------|
| SIZE | DWG. NO. | REV |
| B | 673W-ML | |
| SCALE: 1:2 | WEIGHT: | SHEET 1 OF 1 |



4

3

2

1

B

B

A

A