

4

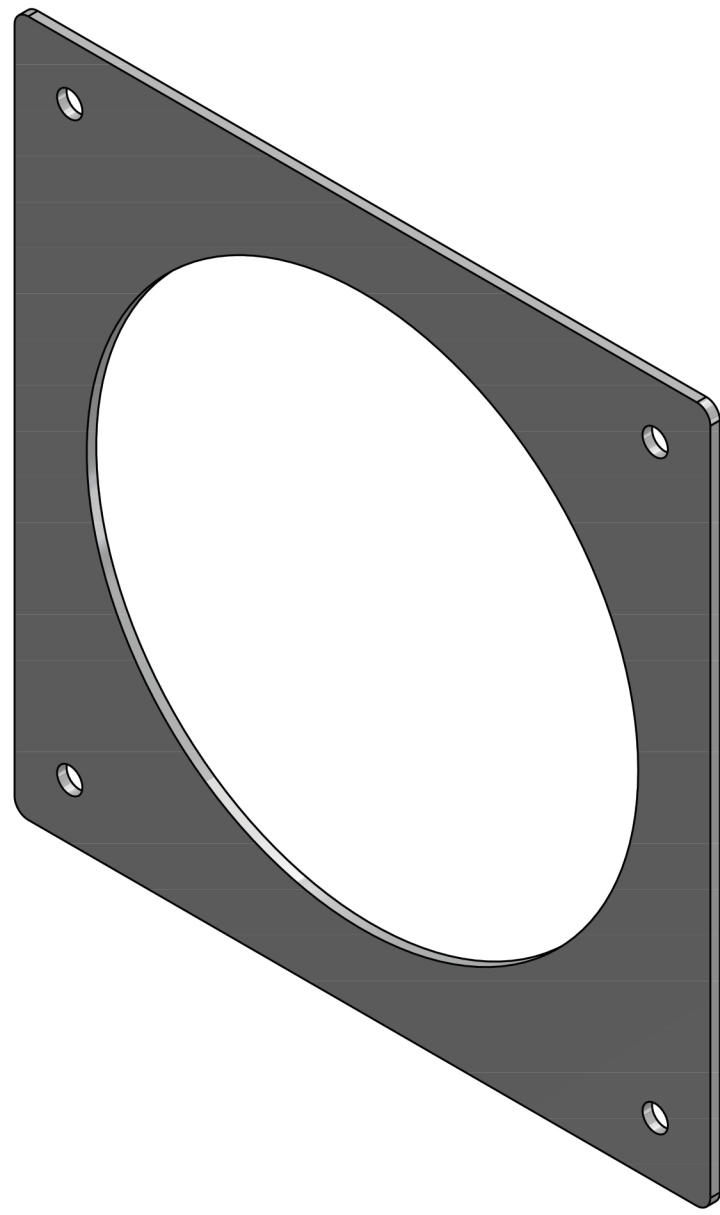
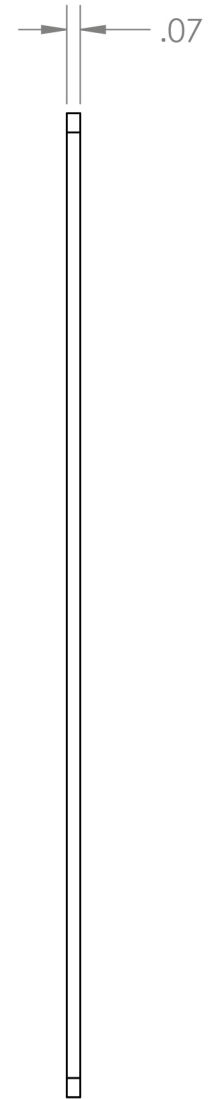
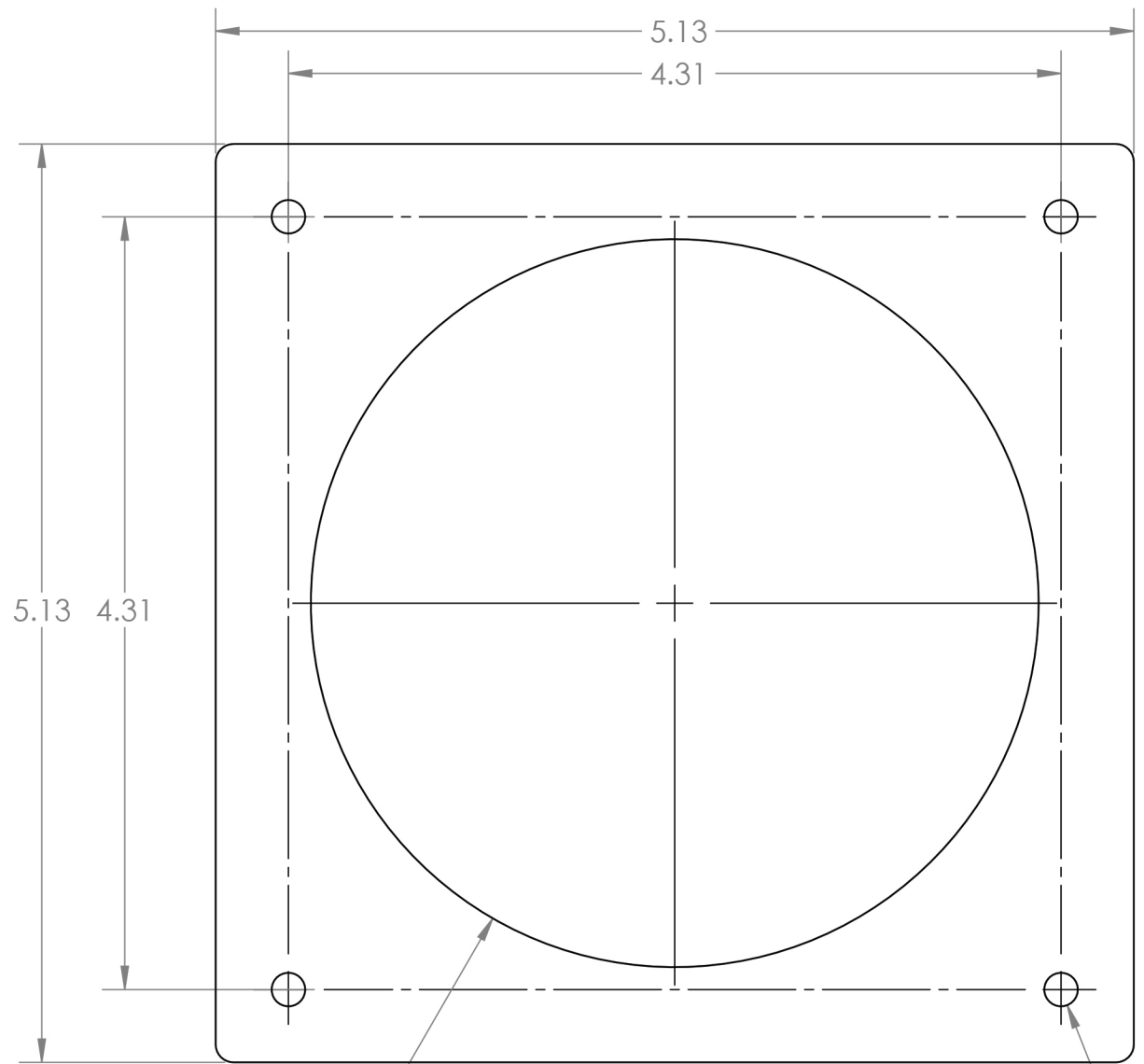
3

2

1

B

B



Ø 4.06

Ø .19 THRU TYP



Lambro Industries, Inc.
115 Albany Ave.
Amityville, NY 11701
(631) 842-8088
www.lambro.net

A

A

PROPRIETARY AND CONFIDENTIAL
THE INFORMATION CONTAINED IN THIS DRAWING IS THE SOLE PROPERTY OF LAMBRO. ANY REPRODUCTION IN PART OR AS A WHOLE WITHOUT THE WRITTEN PERMISSION OF LAMBRO IS PROHIBITED.

		UNLESS OTHERWISE SPECIFIED:	NAME	DATE
		DIMENSIONS ARE IN INCHES	DRAWN	
		TOLERANCES:	CHECKED	
		FRACTIONAL ±1/16	ENG APPR.	
		ANGULAR: MACH ±1 BEND ±.01	MFG APPR.	
		TWO PLACE DECIMAL ±0.01	Q.A.	
		THREE PLACE DECIMAL ±0.005	COMMENTS:	
		INTERPRET GEOMETRIC TOLERANCING PER:		
		MATERIAL		
NEXT ASSY	USED ON	FINISH		
APPLICATION		DO NOT SCALE DRAWING		

TITLE: 4" Plastic Wall Trim Plate

SIZE	DWG. NO.	REV
B	1425W	
SCALE: 1:1	WEIGHT:	SHEET 1 OF 1

4

3

2

1