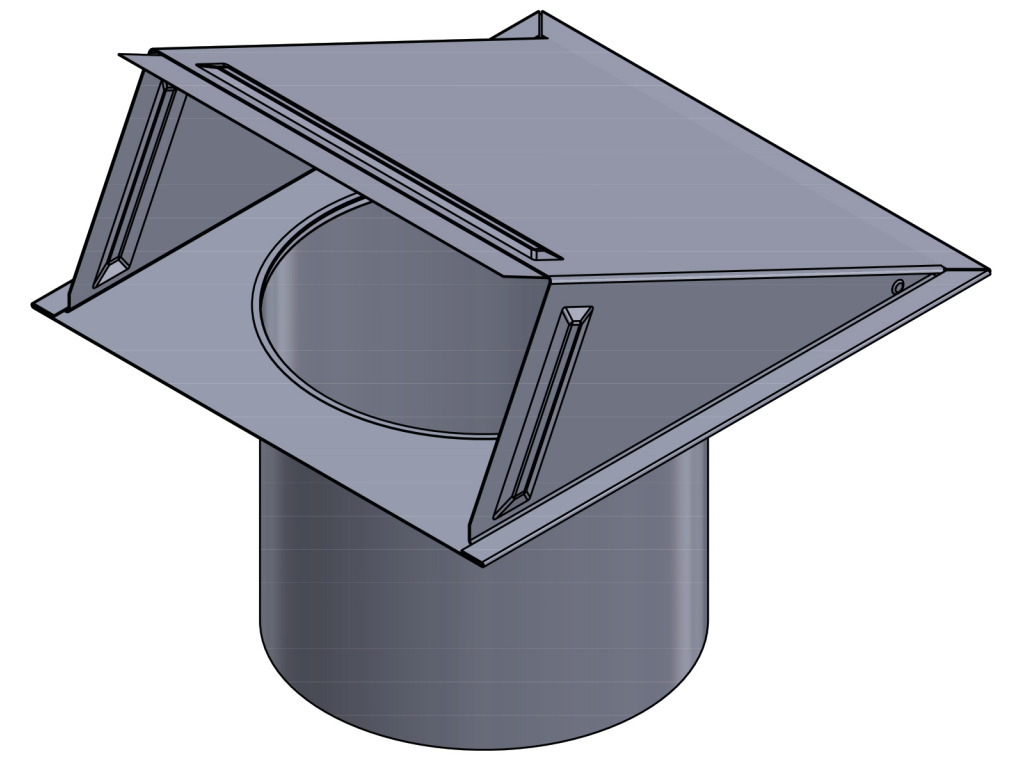
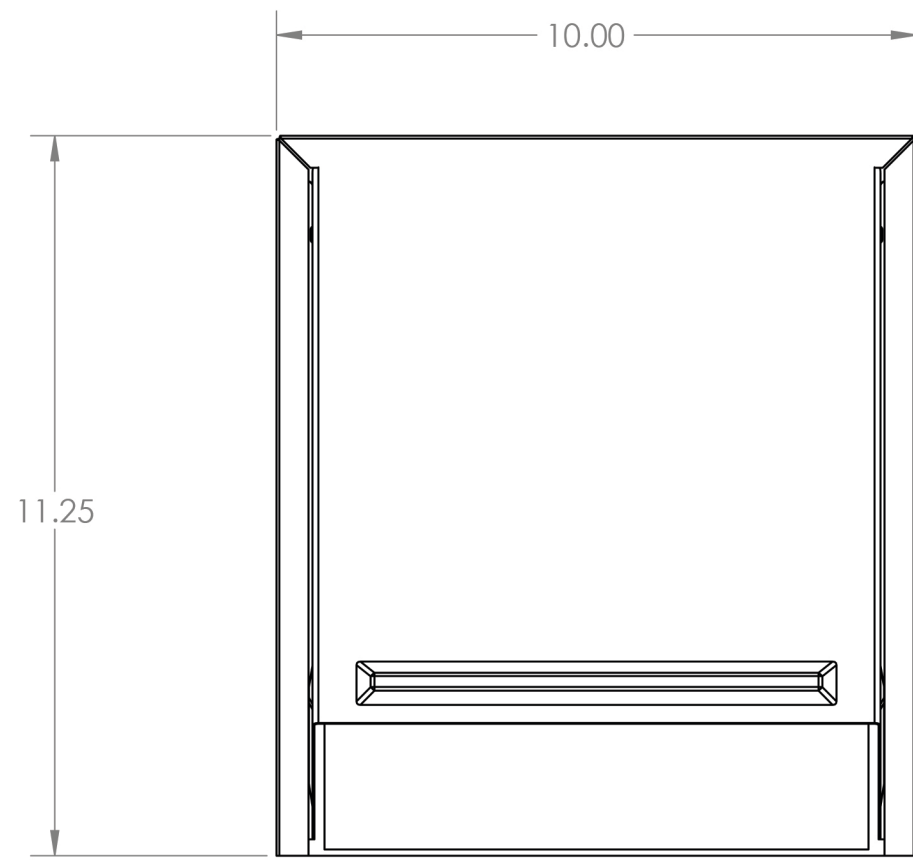


4

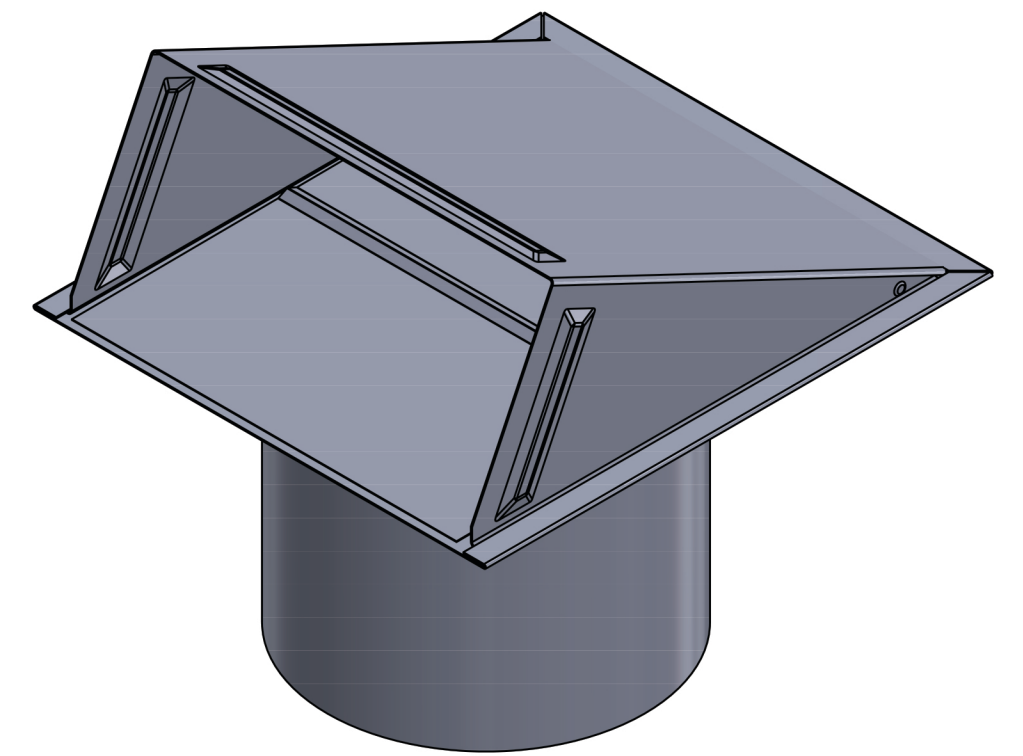
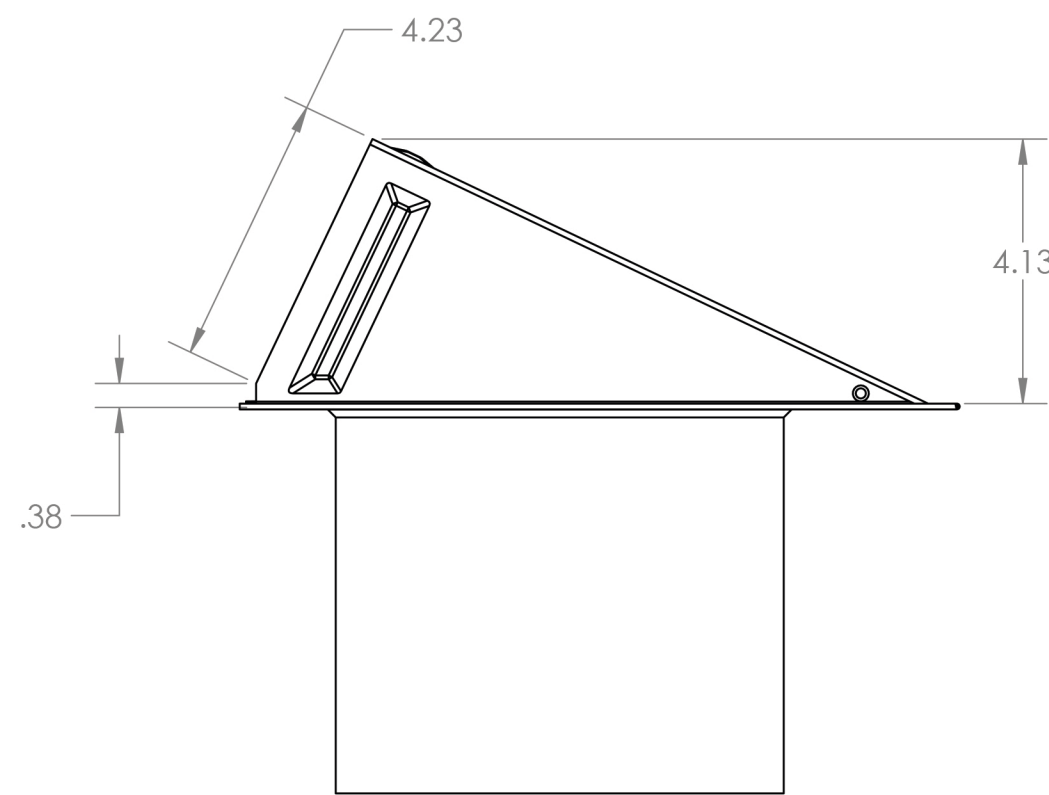
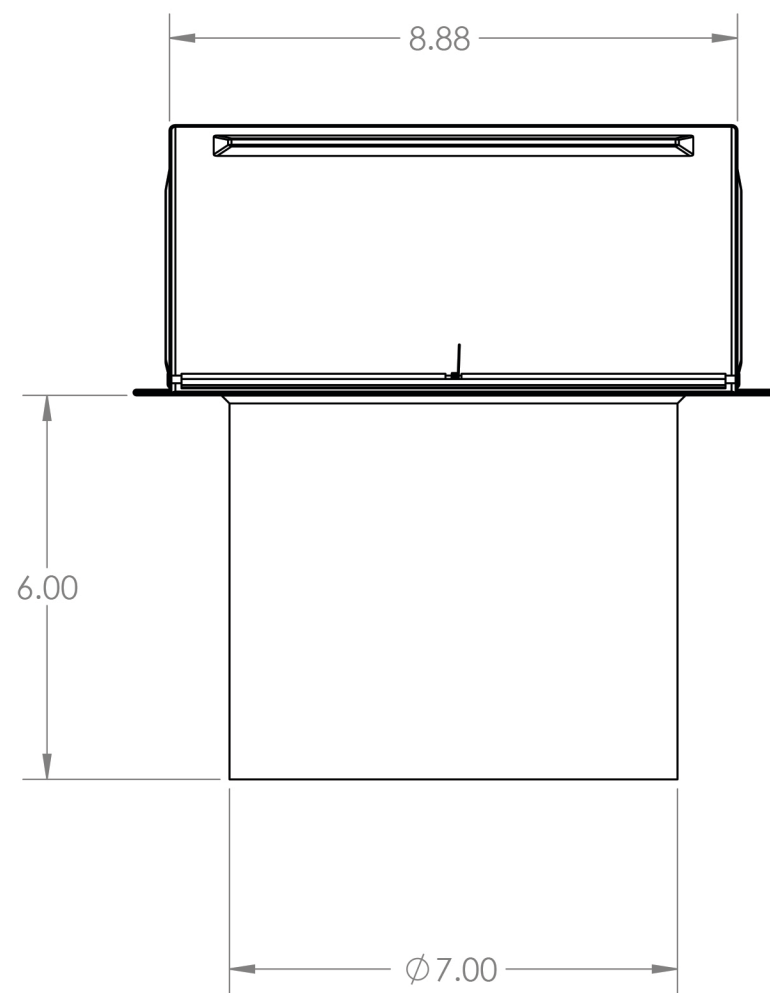
3

2

1



OPEN VENT



CLOSED VENT

**PROPRIETARY AND CONFIDENTIAL**  
 THE INFORMATION CONTAINED IN THIS DRAWING IS THE SOLE PROPERTY OF LAMBRO. ANY REPRODUCTION IN PART OR AS A WHOLE WITHOUT THE WRITTEN PERMISSION OF LAMBRO IS PROHIBITED.

UNLESS OTHERWISE SPECIFIED:		NAME	DATE
DIMENSIONS ARE IN INCHES	DRAWN		
TOLERANCES:	CHECKED		
FRACTIONAL: $\pm 1/16$	ENG APPR.		
ANGULAR: MACH $\pm 1$ BEND $\pm .01$	MFG APPR.		
TWO PLACE DECIMAL $\pm 0.01$	Q.A.		
THREE PLACE DECIMAL $\pm 0.005$	COMMENTS:		
INTERPRET GEOMETRIC TOLERANCING PER:	Net Free Area (NFA)		
MATERIAL	40 sq. in.		
FINISH	Spring controlled damper		
NEXT ASSY	USED ON		
APPLICATION	DO NOT SCALE DRAWING		

**LAMBRO** Lambro Industries, Inc.  
 115 Albany Ave.  
 Amityville, NY 11701  
 (631) 842-8088  
 www.lambro.net

TITLE: 7" Galvanized Wall Exhaust Hood Vent  
 6" Galvanized Pipe  
 Cover & Base: 26 Gauge  
 Damper: 26 Gauge (Aluminum)  
 Pipe: 30 Gauge

SIZE DWG. NO. REV  
**C 3470G-6**

SCALE: 1:3 WEIGHT: SHEET 1 OF 1

4

3

2

1

D

D

C

C

B

B

A

A