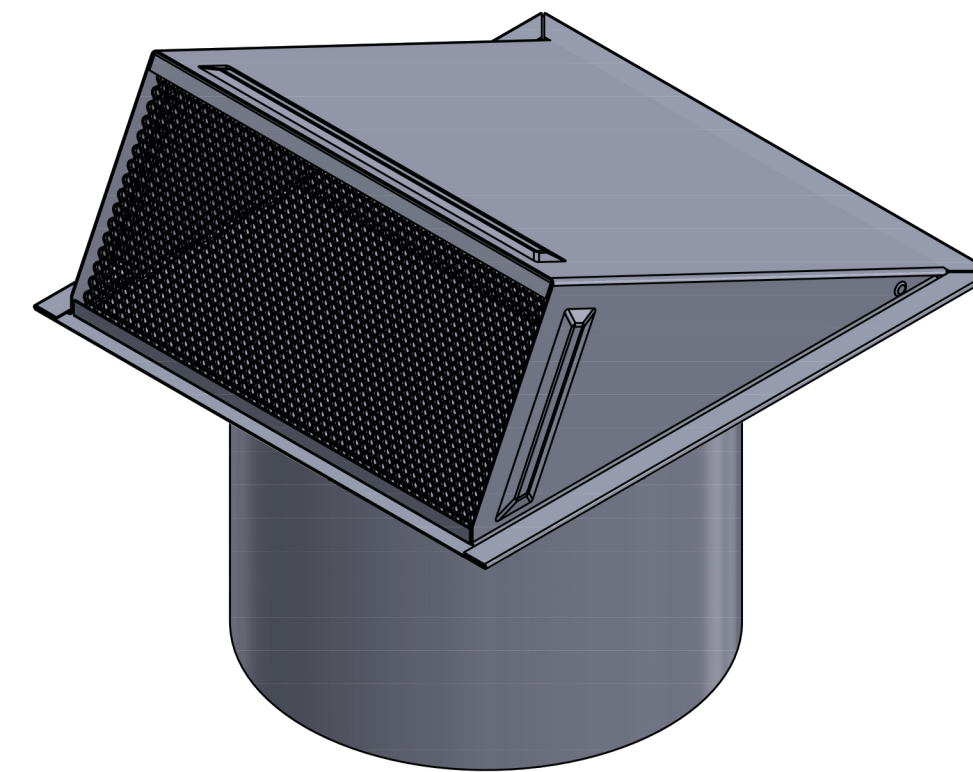
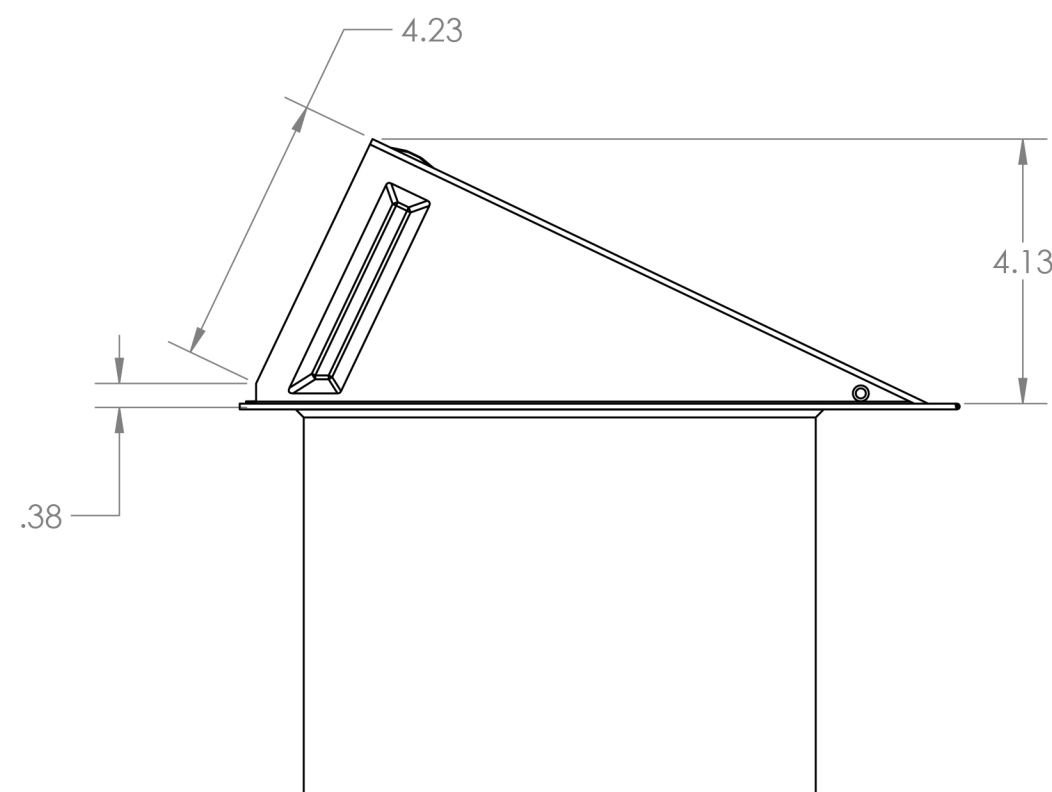
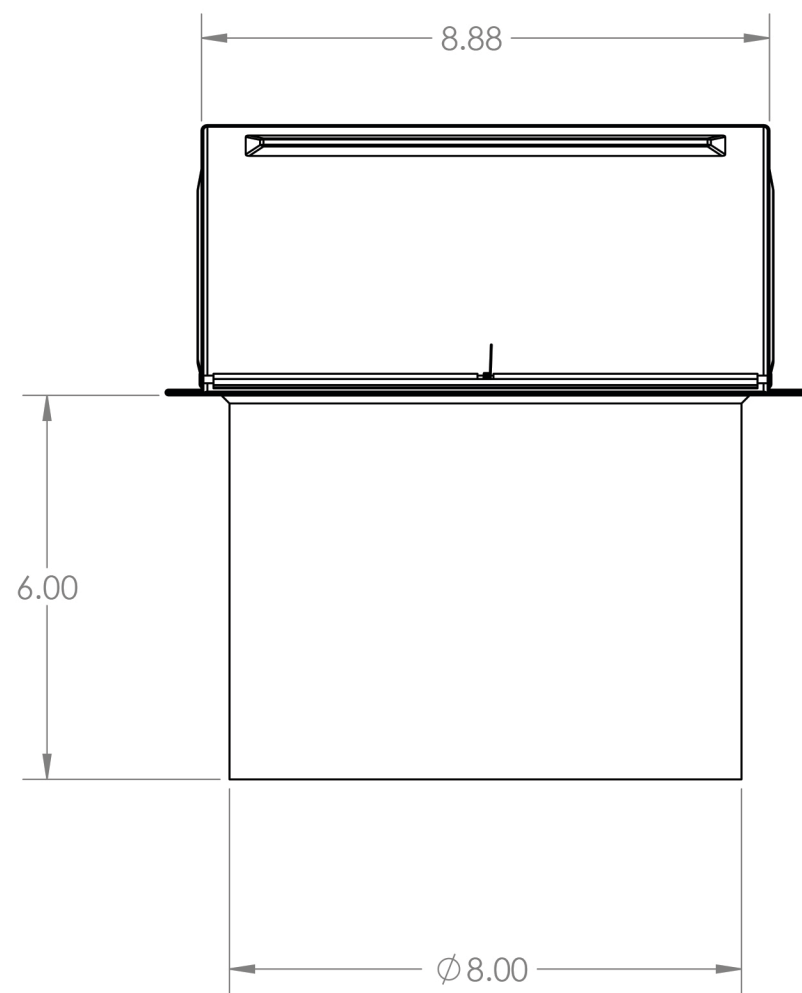
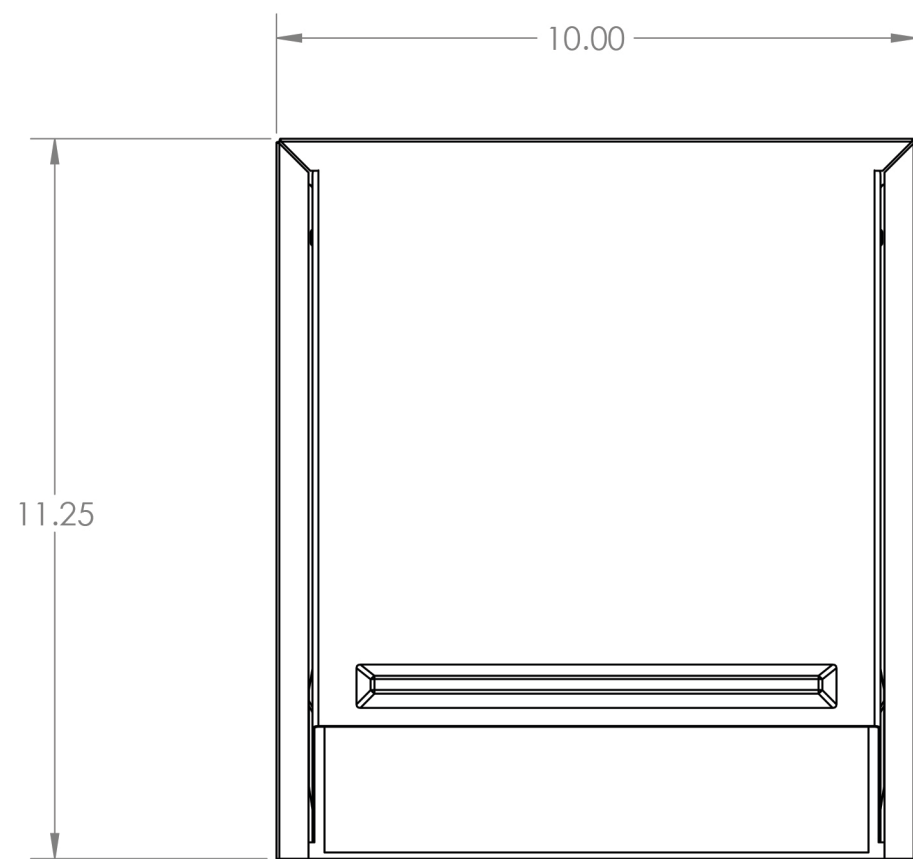


4

3

2

1



**LAMBRO** Lambro Industries, Inc.  
 115 Albany Ave.  
 Amityville, NY 11701  
 (631) 842-8088  
 www.lambro.net

**PROPRIETARY AND CONFIDENTIAL**  
 THE INFORMATION CONTAINED IN THIS DRAWING IS THE SOLE PROPERTY OF LAMBRO. ANY REPRODUCTION IN PART OR AS A WHOLE WITHOUT THE WRITTEN PERMISSION OF LAMBRO IS PROHIBITED.

UNLESS OTHERWISE SPECIFIED:		NAME	DATE
DIMENSIONS ARE IN INCHES		DRAWN	
TOLERANCES:		CHECKED	
FRACTIONAL ± 1/16		ENG APPR.	
ANGULAR: MACH ± 1 BEND ± .01		MFG APPR.	
TWO PLACE DECIMAL ± 0.01		Q.A.	
THREE PLACE DECIMAL ± 0.005		COMMENTS:	
INTERPRET GEOMETRIC TOLERANCING PER:		Net Free Area (NFA)	
MATERIAL		Without Screen: 34 sq. in.	
FINISH		With Screen: 18 sq. in.	
NEXT ASSY	USED ON	Spring controlled damper	
APPLICATION		DO NOT SCALE DRAWING	

TITLE: 8" Galvanized Wall Exhaust Hood Vent 6" Galvanized Pipe - Screen		
Cover & Base: 26 Gauge Damper: 26 Gauge (Aluminum) Pipe: 30 Gauge		
SIZE	DWG. NO.	REV
	<b>C 3480GS-6</b>	
SCALE: 1:3	WEIGHT:	SHEET 1 OF 1

4

3

2

1

D

D

C

C

B

B

A

A