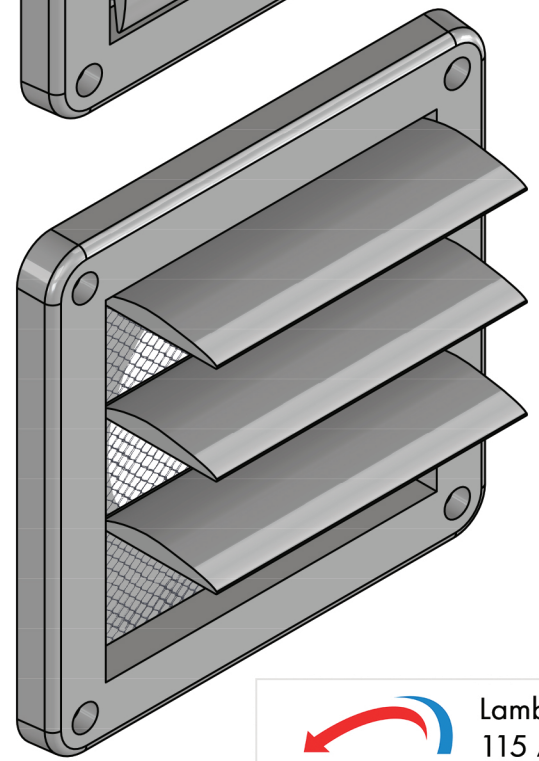
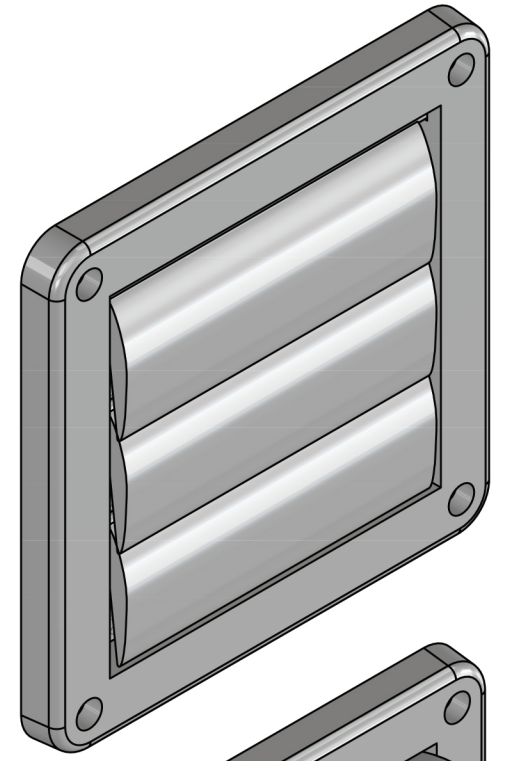
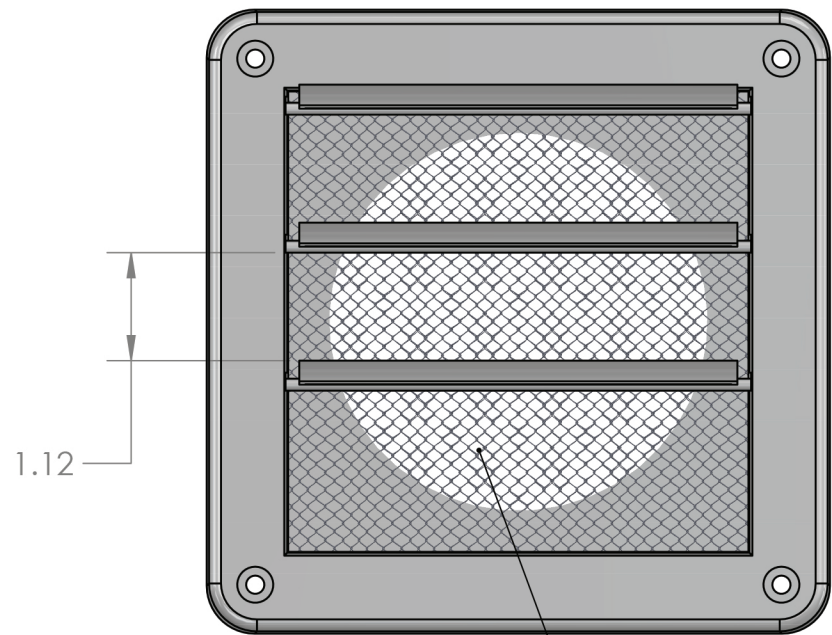
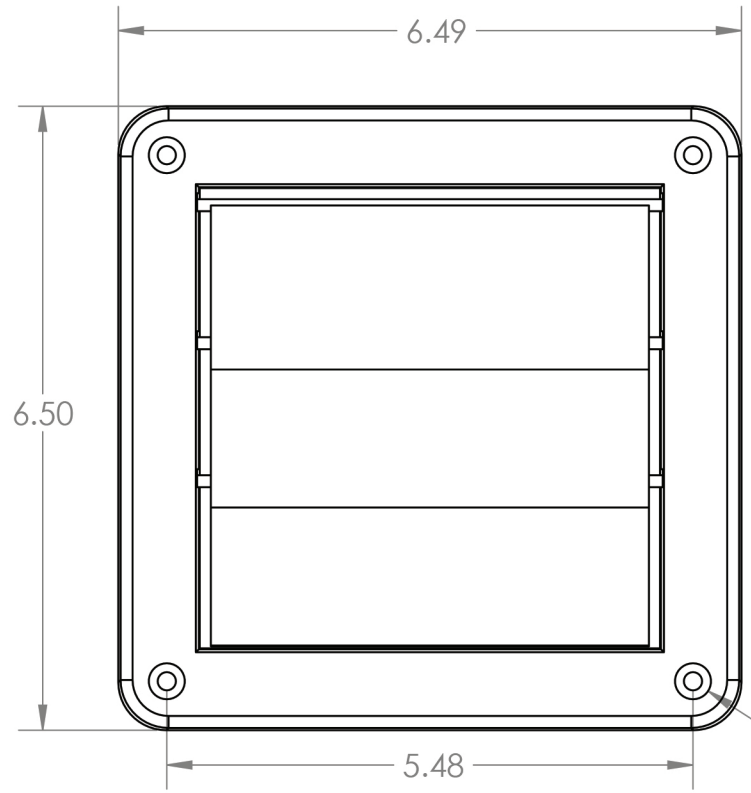


4

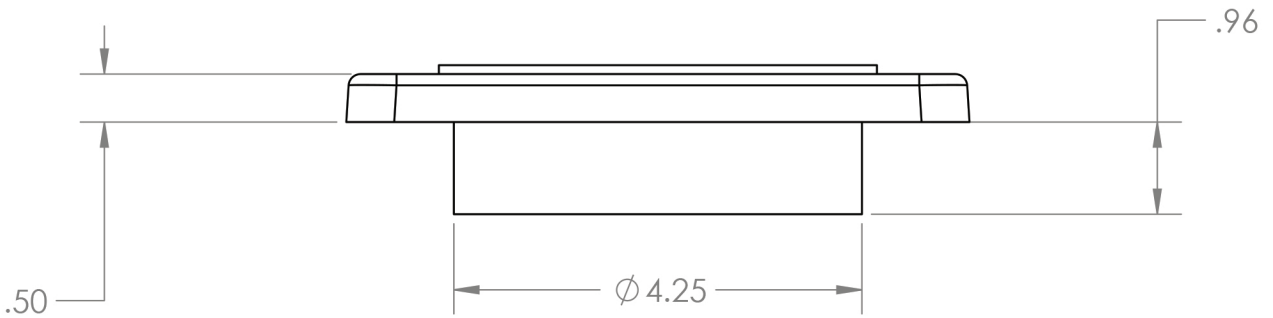
3

2

1



4X ϕ .19 THRU ALL
 \square ϕ .38 ∇ .25



EXPANDED METAL COVERING



Lambro Industries, Inc.
 115 Albany Ave.
 Amityville, NY 11701
 (631) 842-8088
 www.lambro.net

B

B

A

A

PROPRIETARY AND CONFIDENTIAL
 THE INFORMATION CONTAINED IN THIS DRAWING IS THE SOLE PROPERTY OF LAMBRO. ANY REPRODUCTION IN PART OR AS A WHOLE WITHOUT THE WRITTEN PERMISSION OF LAMBRO IS PROHIBITED.

		UNLESS OTHERWISE SPECIFIED:	NAME	DATE
		DIMENSIONS ARE IN INCHES	DRAWN	
		TOLERANCES:	CHECKED	
		FRACTIONAL \pm 1/16	ENG APPR.	
		ANGULAR: MACH \pm 1 BEND \pm .01	MFG APPR.	
		TWO PLACE DECIMAL \pm 0.01	Q.A.	
		THREE PLACE DECIMAL \pm 0.005	COMMENTS:	
		INTERPRET GEOMETRIC TOLERANCING PER:	Net Free Area (NFA)	
		MATERIAL	Without Screen: 12 sq. in.	
		FINISH	With Screen: 6.5 sq. in.	
NEXT ASSY	USED ON			
APPLICATION		DO NOT SCALE DRAWING		

TITLE: 4" Plastic Wall Exhaust Vent - 1" Collar (Louvered) - 1/8" Metal Bug Screen

SIZE	DWG. NO.	REV
B	1423WS	
SCALE: 1:2	WEIGHT:	SHEET 1 OF 1



4

3

2

1