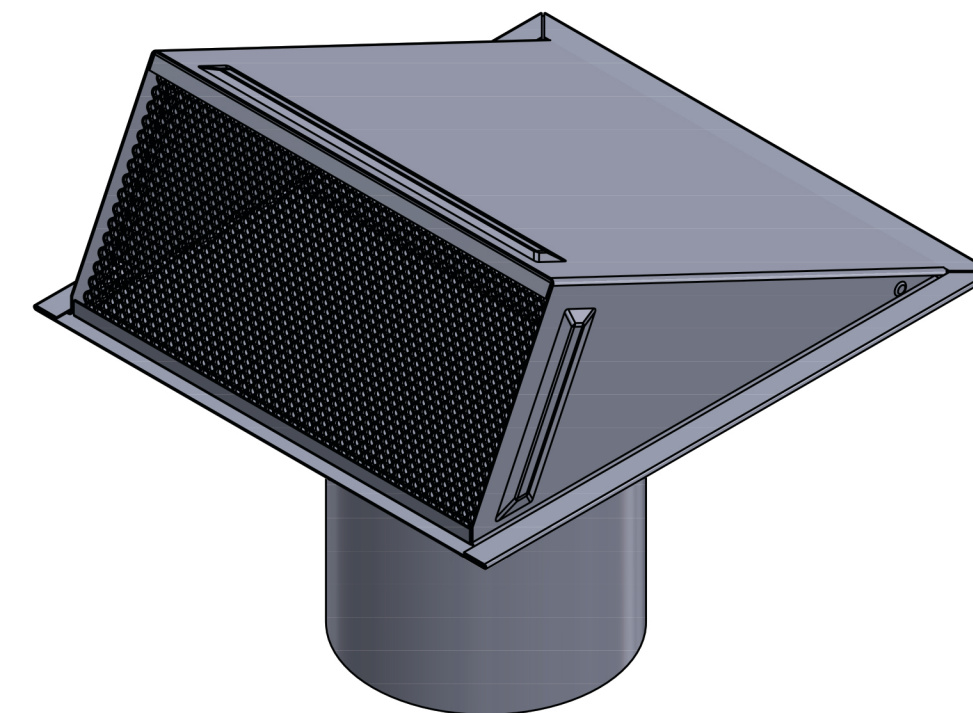
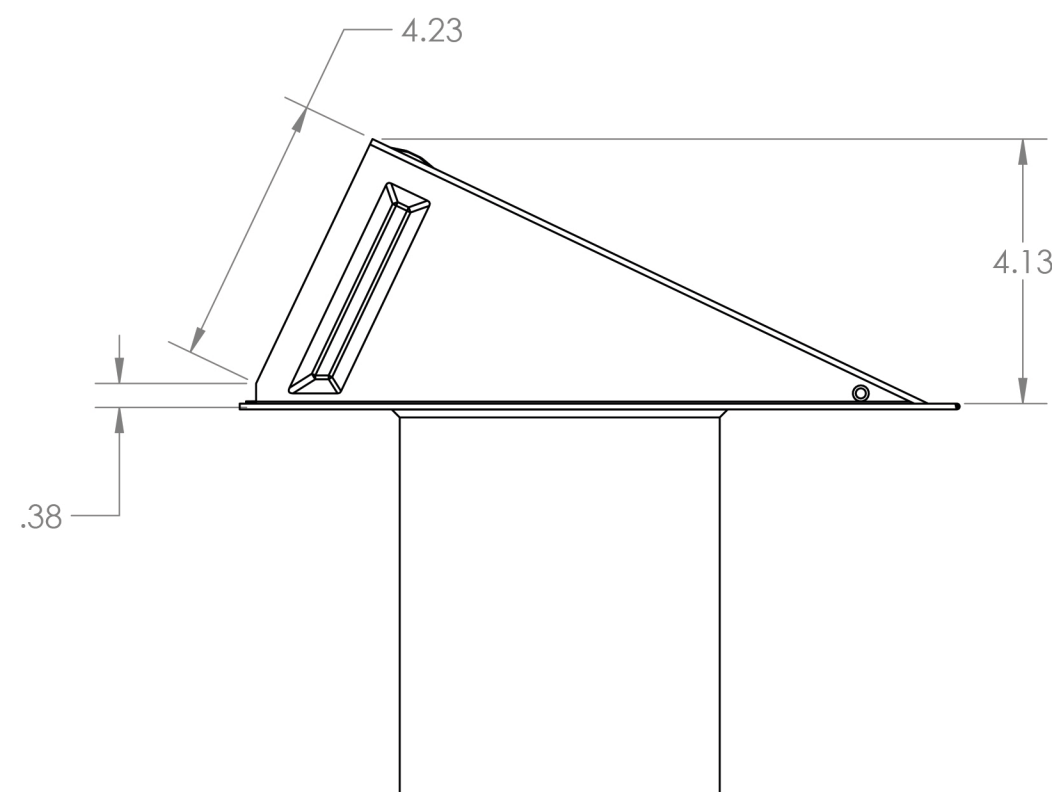
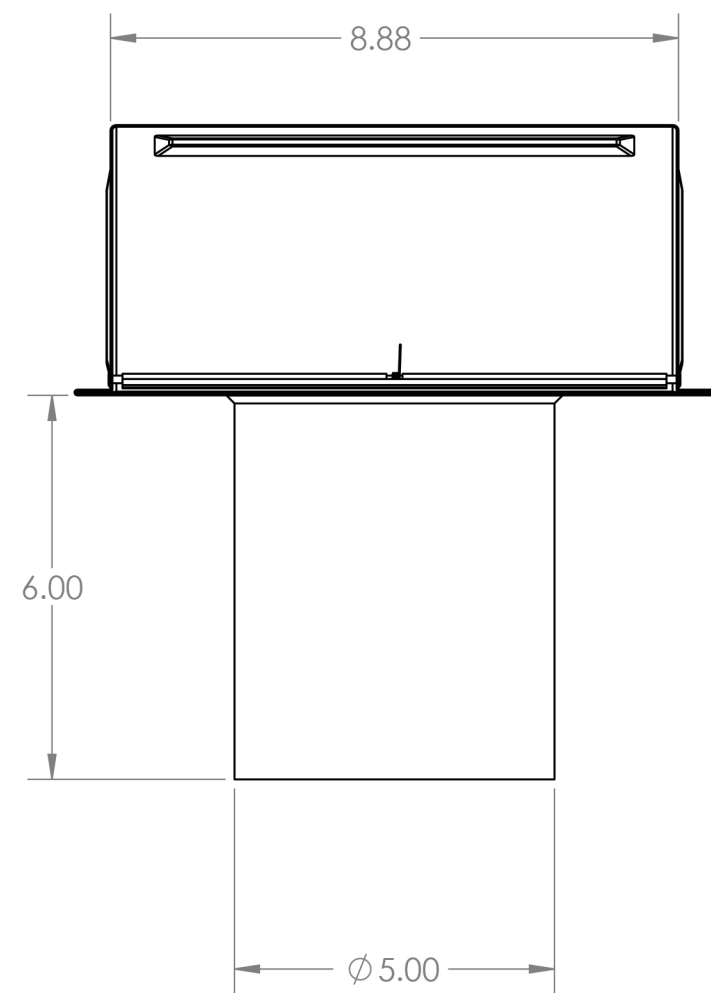
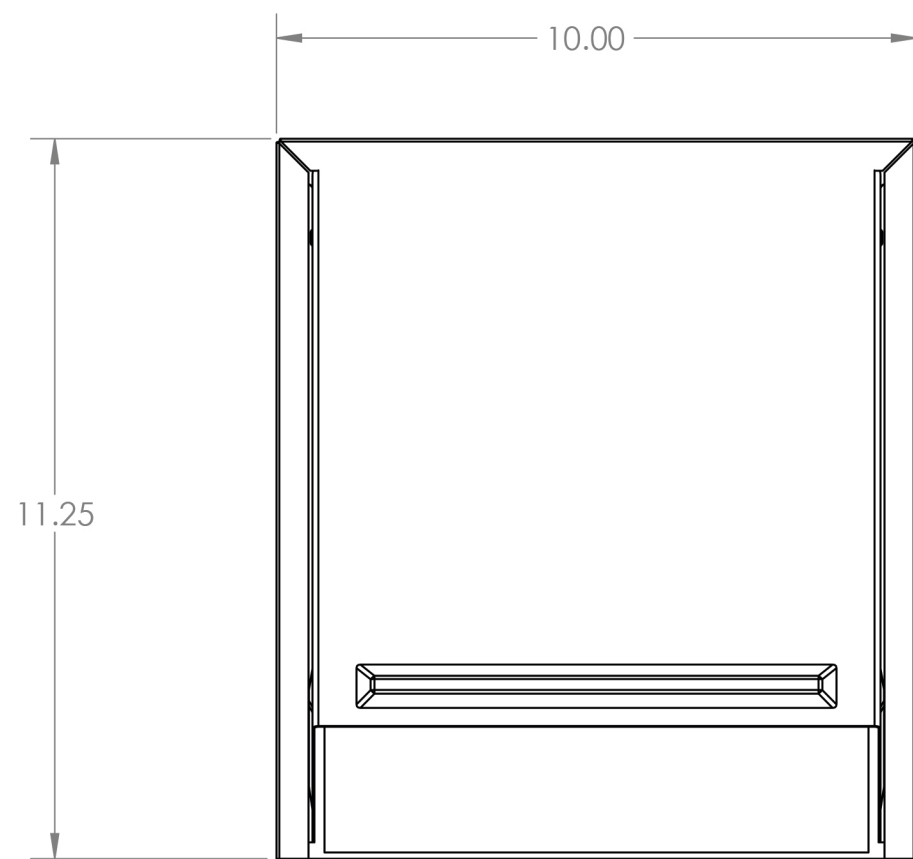


4

3

2

1



PROPRIETARY AND CONFIDENTIAL
 THE INFORMATION CONTAINED IN THIS DRAWING IS THE SOLE PROPERTY OF LAMBRO. ANY REPRODUCTION IN PART OR AS A WHOLE WITHOUT THE WRITTEN PERMISSION OF LAMBRO IS PROHIBITED.

UNLESS OTHERWISE SPECIFIED:		NAME	DATE
DIMENSIONS ARE IN INCHES	DRAWN		
TOLERANCES:	CHECKED		
FRACTIONAL ± 1/16	ENG APPR.		
ANGULAR: MACH ± 1 BEND ± .01	MFG APPR.		
TWO PLACE DECIMAL ± 0.01	Q.A.		
THREE PLACE DECIMAL ± 0.005	COMMENTS:		
INTERPRET GEOMETRIC TOLERANCING PER:	Net Free Area (NFA)		
MATERIAL	Without Screen: 34 sq. in.		
FINISH	With Screen: 18 sq. in.		
NEXT ASSY	USED ON		
APPLICATION	DO NOT SCALE DRAWING		

LAMBRO Lambro Industries, Inc.
 115 Albany Ave.
 Amityville, NY 11701
 (631) 842-8088
 www.lambro.net

TITLE: 5" Aluminum Wall Exhaust Hood Vent
 6" Aluminum Pipe - Screen
 Cover & Base: 22 Gauge
 Damper: 26 Gauge
 Pipe: 26 Gauge

SIZE DWG. NO. REV
C 3450S-6

SCALE: 1:3 WEIGHT: SHEET 1 OF 1

4

3

2

1

D

D

C

C

B

B

A

A