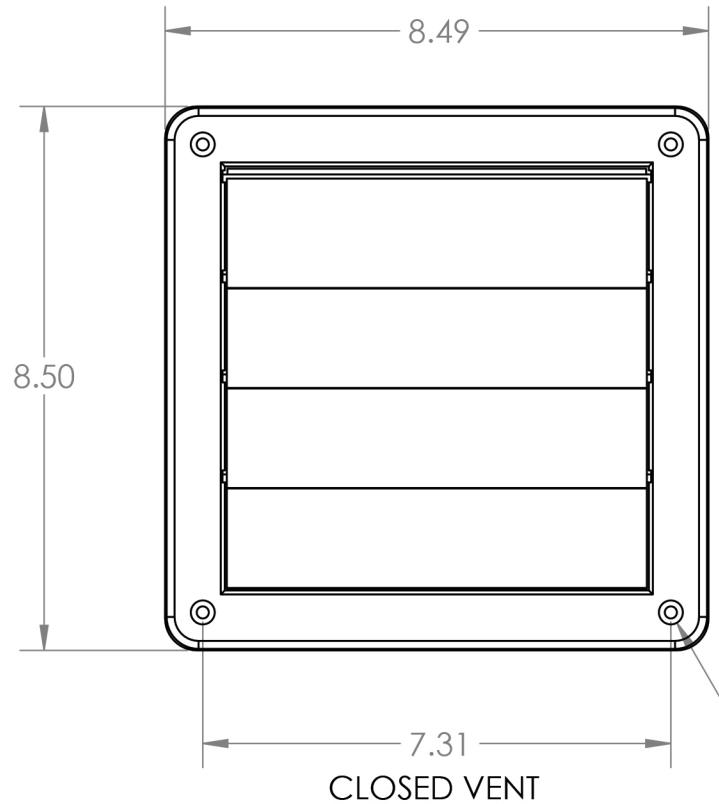


4

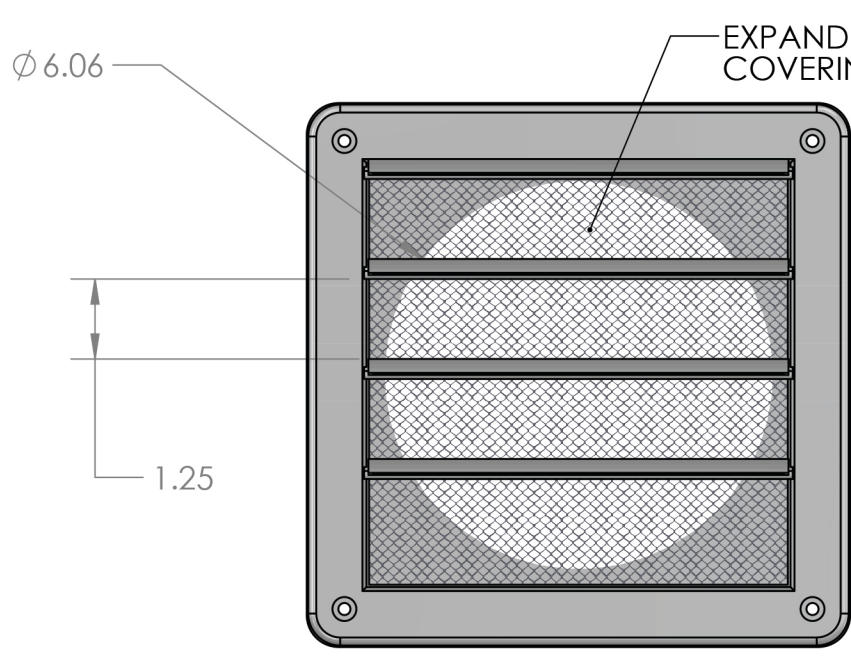
3

2

1

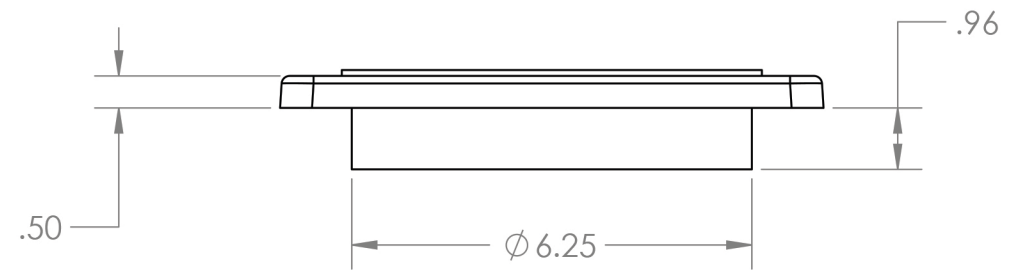
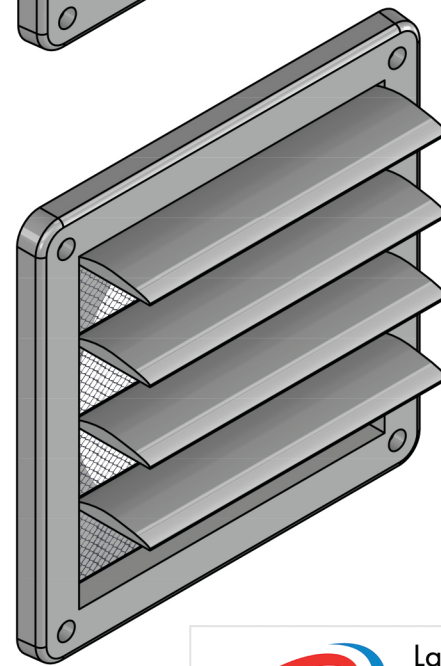
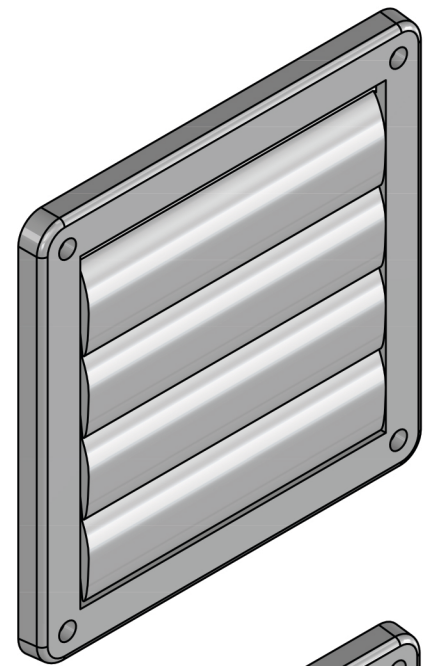


CLOSED VENT



OPENED VENT

4X Ø .19 THRU ALL
└─┘ Ø .38 ▽ .25



Lambro Industries, Inc.
115 Albany Ave.
Amityville, NY 11701
(631) 842-8088
www.lambro.net



PROPRIETARY AND CONFIDENTIAL
THE INFORMATION CONTAINED IN THIS DRAWING IS THE SOLE PROPERTY OF LAMBRO. ANY REPRODUCTION IN PART OR AS A WHOLE WITHOUT THE WRITTEN PERMISSION OF LAMBRO IS PROHIBITED.

		UNLESS OTHERWISE SPECIFIED:	NAME	DATE
		DIMENSIONS ARE IN INCHES	DRAWN	
		TOLERANCES:	CHECKED	
		FRACTIONAL ±1/16	ENG APPR.	
		ANGULAR: MACH ±1 BEND ±.01	MFG APPR.	
		TWO PLACE DECIMAL ±0.01	Q.A.	
		THREE PLACE DECIMAL ±0.005	COMMENTS:	
		INTERPRET GEOMETRIC TOLERANCING PER:	Net Free Area (NFA)	
		MATERIAL	Without Screen: 24 sq. in.	
NEXT ASSY	USED ON	FINISH	With Screen: 13 sq. in.	
APPLICATION		DO NOT SCALE DRAWING		

TITLE: 6" Plastic Wall Exhaust Vent - 1" Collar (Louvered) - 1/8" Metal Bug Screen

SIZE	DWG. NO.	REV
B	361WS	
SCALE: 1:3	WEIGHT:	SHEET 1 OF 1

4

3

2

1

B

B

A

A