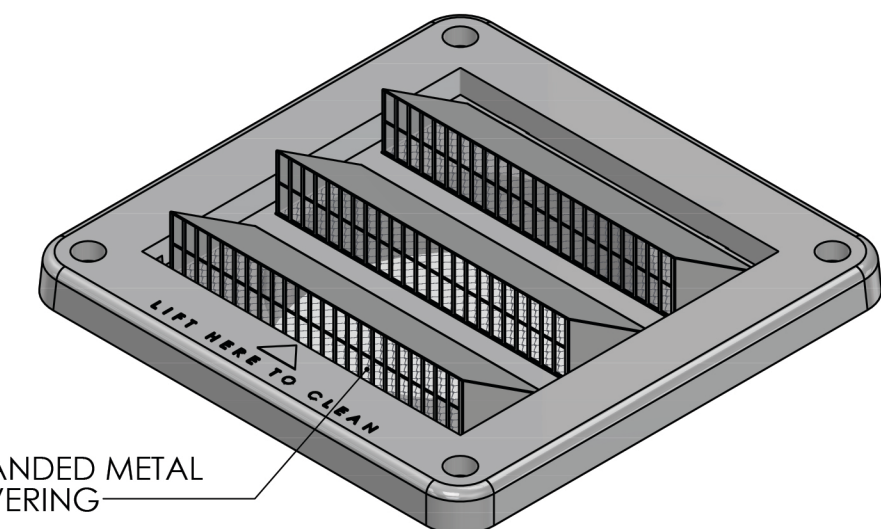
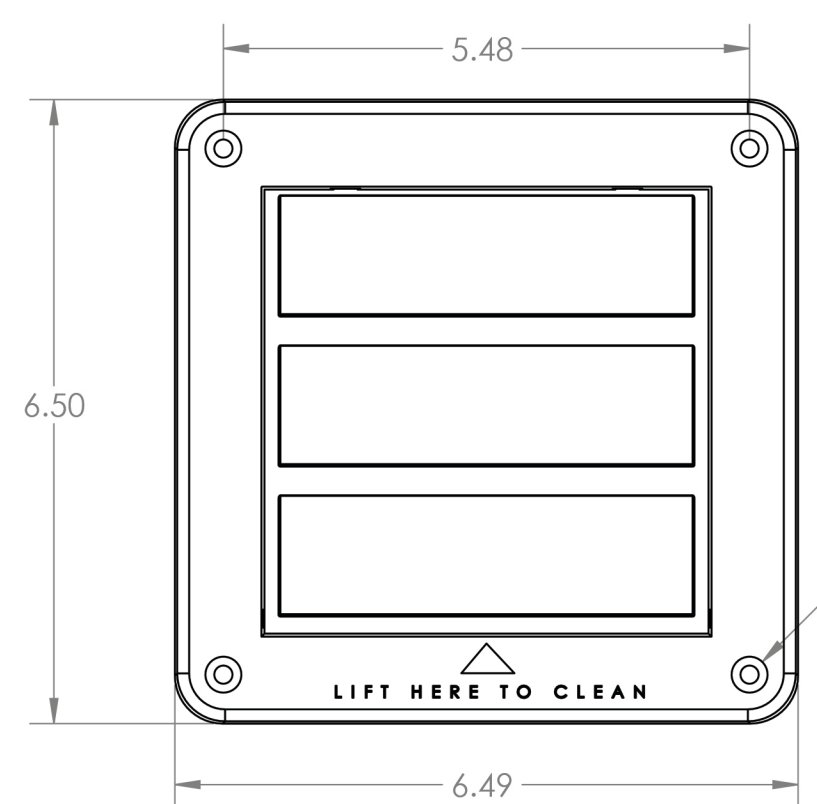


4

3

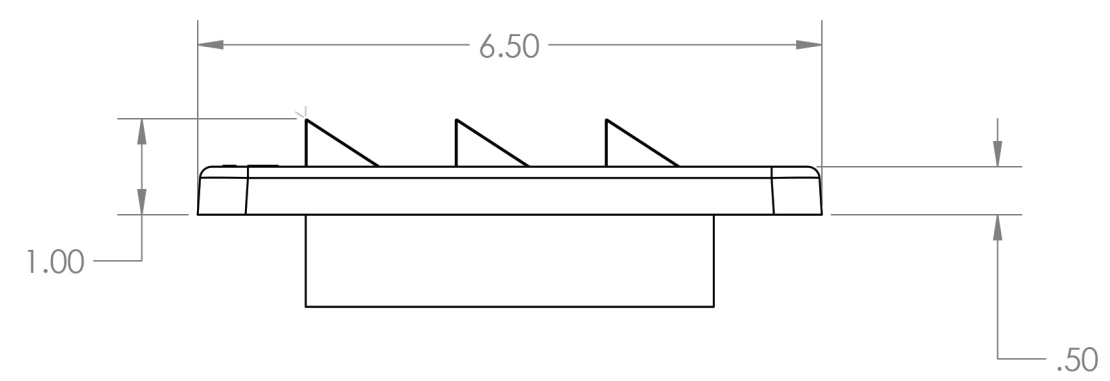
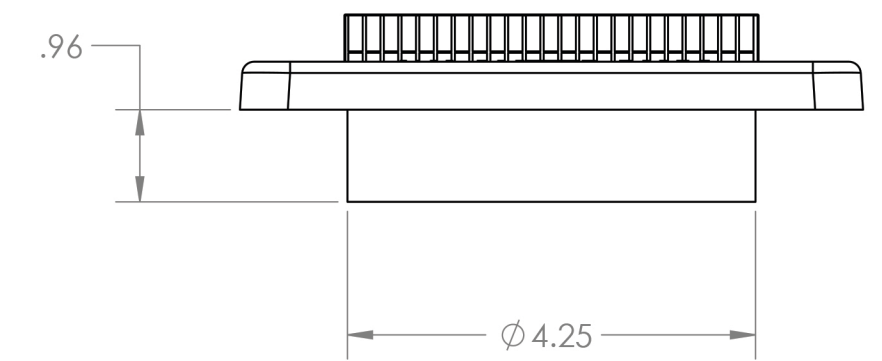
2

1



EXPANDED METAL COVERING

4X Ø .19 THRU ALL
└─┘ Ø .38 ▽ .25



Lambro Industries, Inc.
115 Albany Ave.
Amityville, NY 11701
(631) 842-8088
www.lambro.net



PROPRIETARY AND CONFIDENTIAL
THE INFORMATION CONTAINED IN THIS DRAWING IS THE SOLE PROPERTY OF LAMBRO. ANY REPRODUCTION IN PART OR AS A WHOLE WITHOUT THE WRITTEN PERMISSION OF LAMBRO IS PROHIBITED.

		UNLESS OTHERWISE SPECIFIED:	NAME	DATE
		DIMENSIONS ARE IN INCHES	DRAWN	
		TOLERANCES:	CHECKED	
		FRACTIONAL ± 1/16	ENG APPR.	
		ANGULAR: MACH ± 1 BEND ± 0.01	MFG APPR.	
		TWO PLACE DECIMAL ± 0.01	Q.A.	
		THREE PLACE DECIMAL ± 0.005	COMMENTS:	
		INTERPRET GEOMETRIC TOLERANCING PER:	Net Free Area (NFA)	
		MATERIAL	Without Metal Screen: 7.75 sq. in.	
		FINISH	With Metal Screen: 4 sq. in.	
NEXT ASSY	USED ON	APPLICATION		
		DO NOT SCALE DRAWING		

TITLE: 4" Plastic Fresh Air Intake Vent
(Rain Guard)
Removable 1/8" Metal Bug Screen

SIZE	DWG. NO.	REV
B	604WS	
SCALE: 1:2	WEIGHT:	SHEET 1 OF 1

4

3

2

1

B

B

A

A