

4

3

2

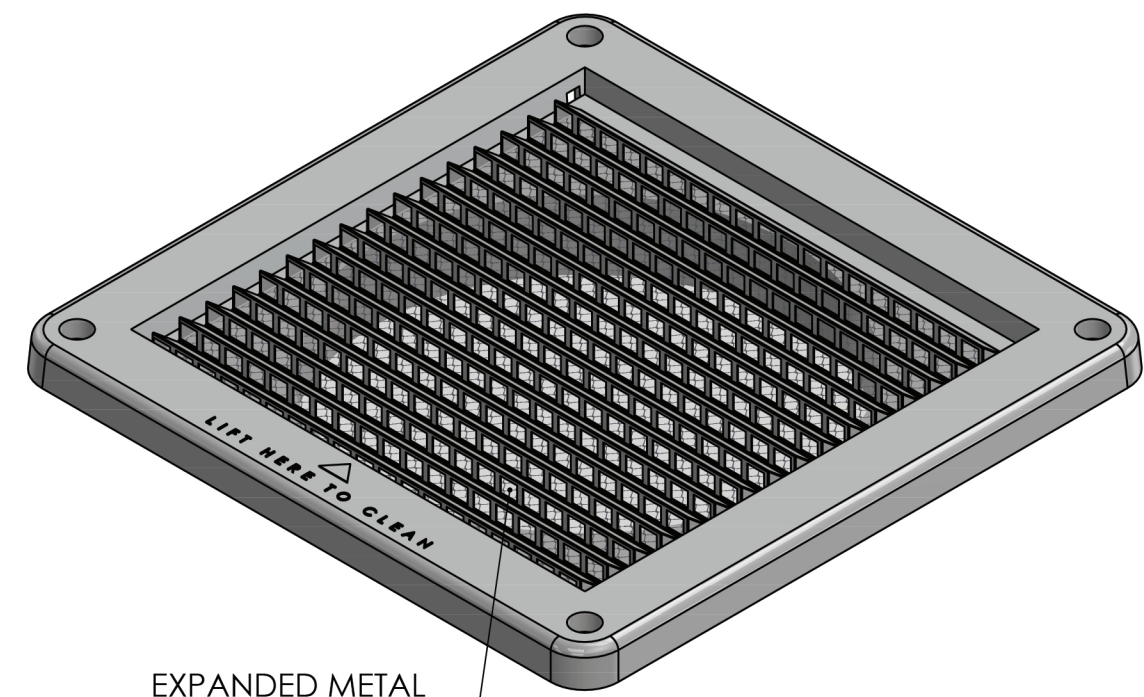
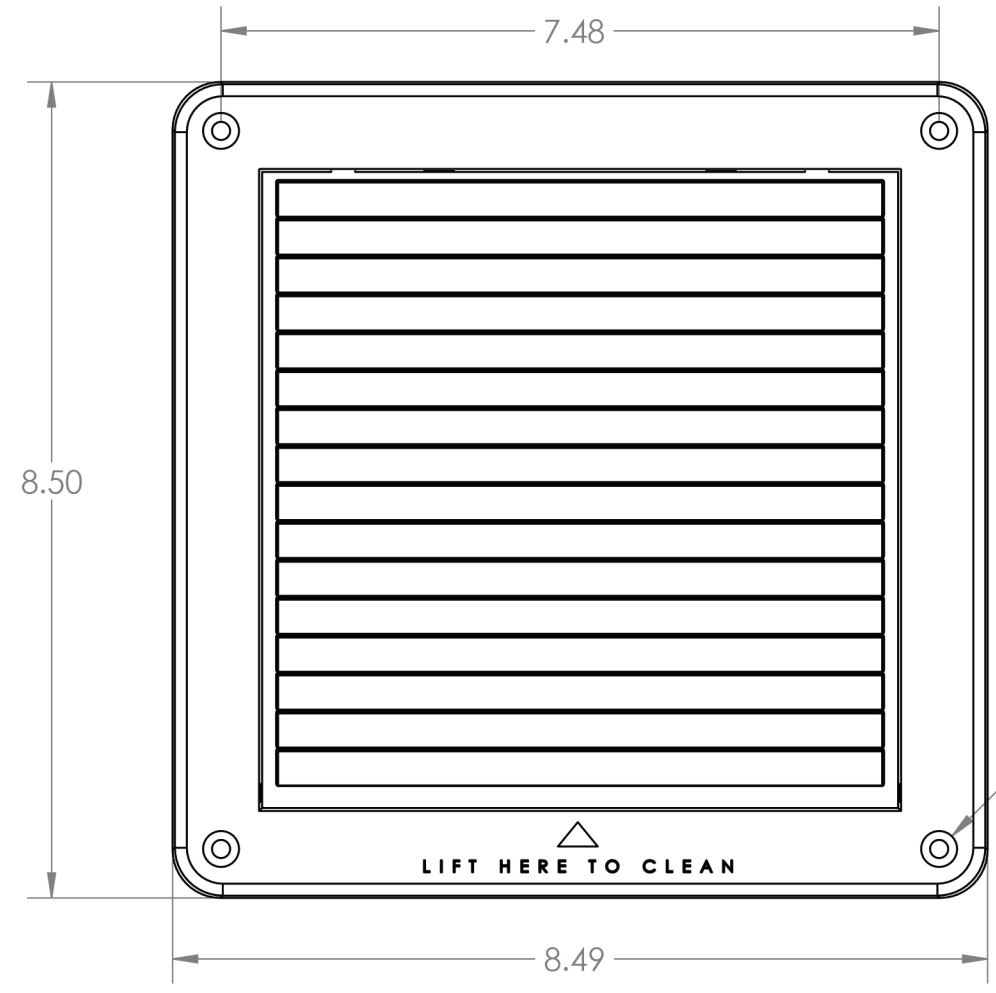
1

B

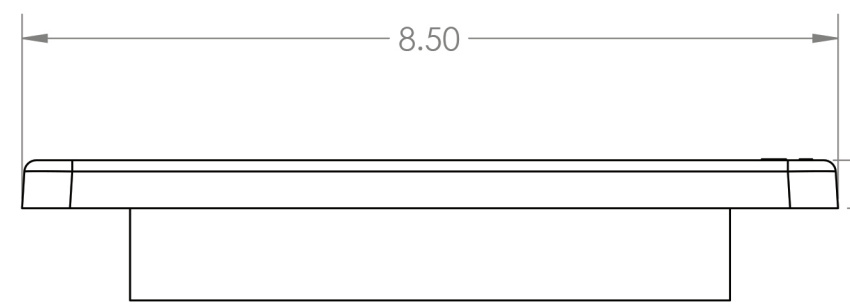
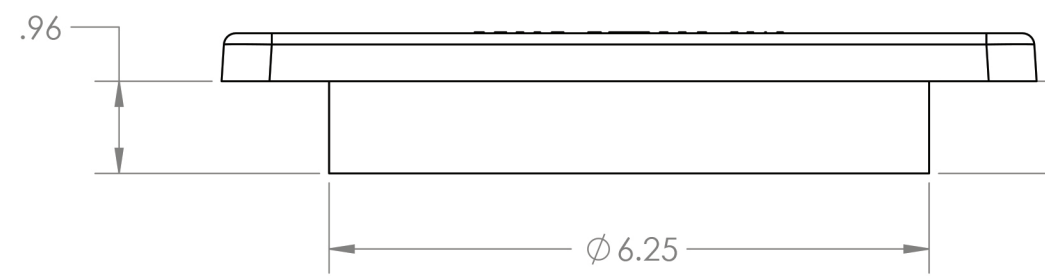
B

A

A



4X ϕ .19 THRU ALL
 \square ϕ .38 ∇ .25



.96

.50



Lambro Industries, Inc.
 115 Albany Ave.
 Amityville, NY 11701
 (631) 842-8088
 www.lambro.net

PROPRIETARY AND CONFIDENTIAL
 THE INFORMATION CONTAINED IN THIS DRAWING IS THE SOLE PROPERTY OF LAMBRO. ANY REPRODUCTION IN PART OR AS A WHOLE WITHOUT THE WRITTEN PERMISSION OF LAMBRO IS PROHIBITED.

		UNLESS OTHERWISE SPECIFIED:	NAME	DATE
		DIMENSIONS ARE IN INCHES	DRAWN	
		TOLERANCES:	CHECKED	
		FRACTIONAL: $\pm 1/16$	ENG APPR.	
		ANGULAR: MACH ± 1 BEND ± 0.01	MFG APPR.	
		TWO PLACE DECIMAL ± 0.01	Q.A.	
		THREE PLACE DECIMAL ± 0.005	COMMENTS:	
		INTERPRET GEOMETRIC TOLERANCING PER:	Net Free Area (NFA)	
		MATERIAL	Without Metal Screen: 17 sq. in.	
		FINISH	With Metal Screen: 9 sq. in.	
NEXT ASSY	USED ON	APPLICATION	DO NOT SCALE DRAWING	

TITLE: 6" Plastic Fresh Air Intake Vent
 Removable Screen

SIZE	DWG. NO.	REV
B	606W-MLS	

SCALE: 1:2 WEIGHT: SHEET 1 OF 1

4

3

2

1