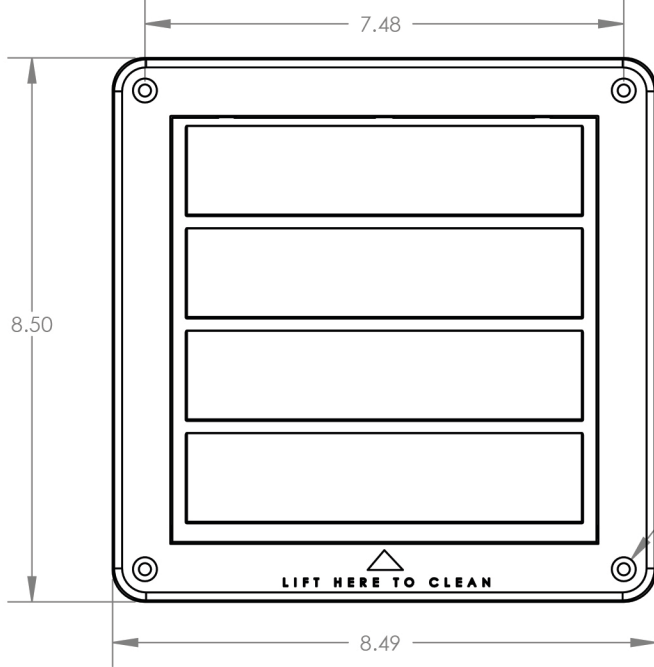


4

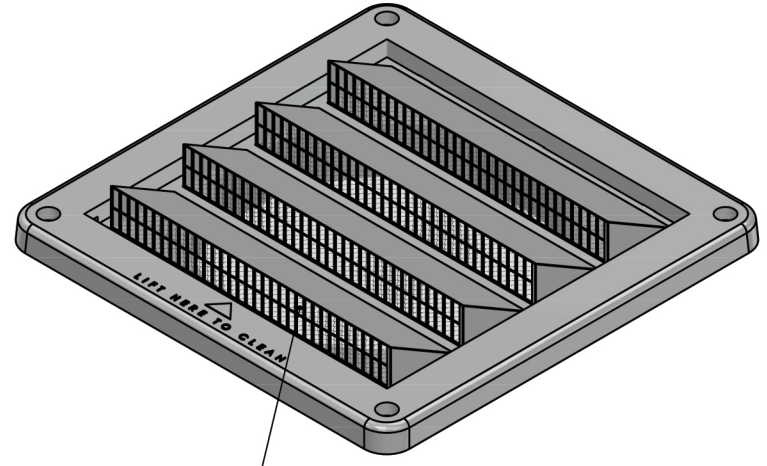
3

2

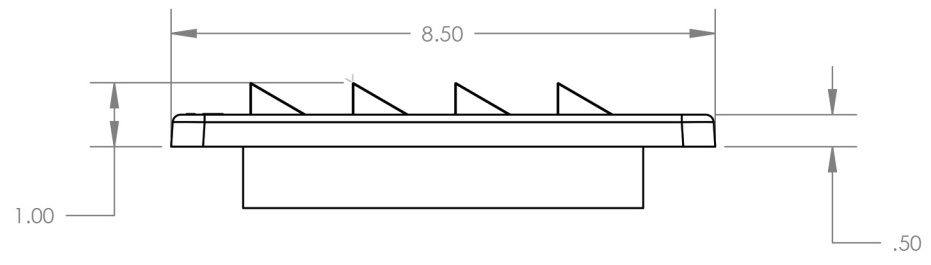
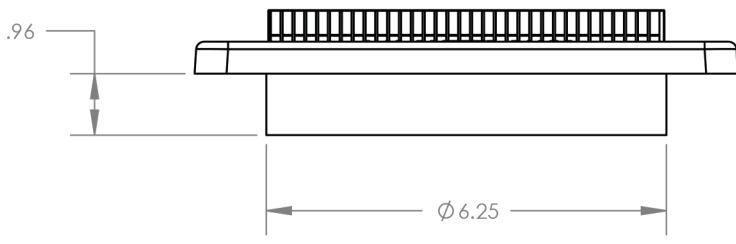
1



4X  $\phi$  .19 THRU ALL  
 $\square$   $\phi$  .38  $\nabla$  .25



EXPANDED METAL  
 COVERING



Lambro Industries, Inc.  
 115 Albany Ave.  
 Amityville, NY 11701  
 (631) 842-8088  
 www.lambro.net

TITLE: 6" Plastic Fresh Air Intake Vent  
 (Rain Guard)  
 Removable 1/8" Metal Bug Screen

SIZE	DWG. NO.	REV
<b>B</b>	<b>606WS</b>	
SCALE: 1:3	WEIGHT:	SHEET 1 OF 1

**PROPRIETARY AND CONFIDENTIAL**  
 THE INFORMATION CONTAINED IN THIS  
 DRAWING IS THE SOLE PROPERTY OF  
 LAMBRO. ANY REPRODUCTION IN PART  
 OR AS A WHOLE WITHOUT THE WRITTEN  
 PERMISSION OF LAMBRO IS PROHIBITED.

		UNLESS OTHERWISE SPECIFIED:	NAME	DATE
		DIMENSIONS ARE IN INCHES	DRAWN	
		TOLERANCES:	CHECKED	
		FRACTIONAL $\pm$ 1/16	ENG APPR.	
		ANGULAR: MACH $\pm$ 1 BEND $\pm$ .01	MFG APPR.	
		TWO PLACE DECIMAL $\pm$ 0.01	Q.A.	
		THREE PLACE DECIMAL $\pm$ 0.005	COMMENTS:	
		INTERPRET GEOMETRIC TOLERANCING PER:	Net Free Area (NFA)	
		MATERIAL	Without Metal Screen: 14 sq. in.	
		FINISH	With Metal Screen: 7.5 sq. in.	
NEXT ASSY	USED ON			
APPLICATION		DO NOT SCALE DRAWING		



4

3

2

1

B

B

A

A