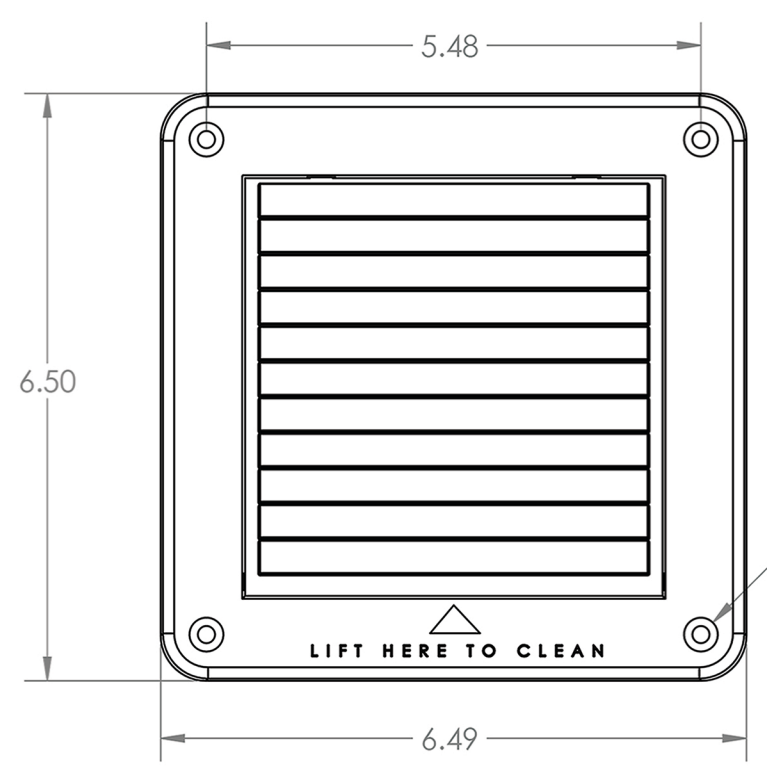


4

3

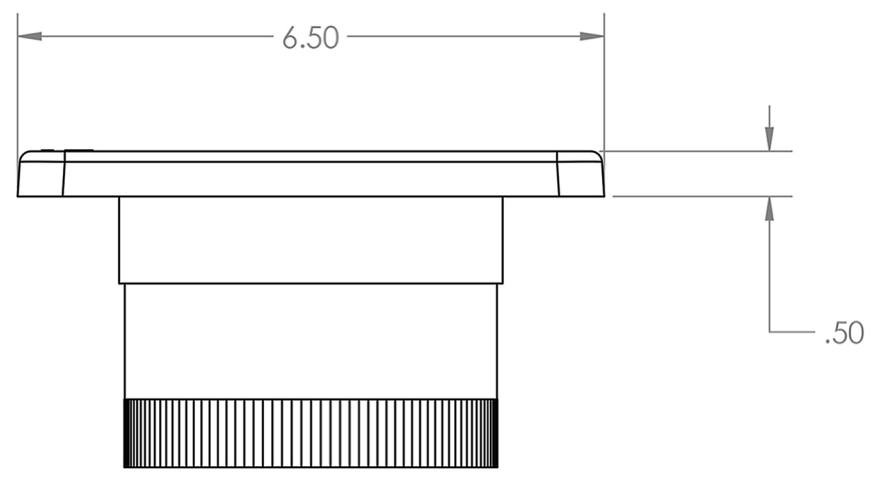
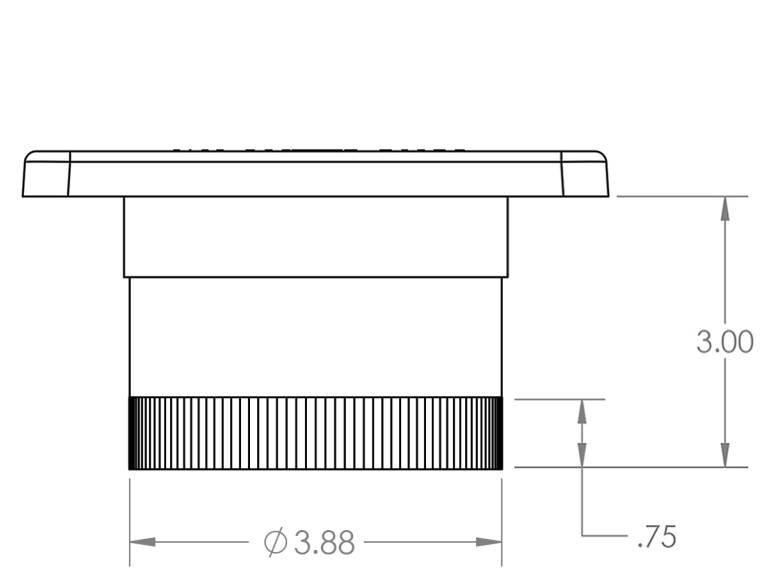
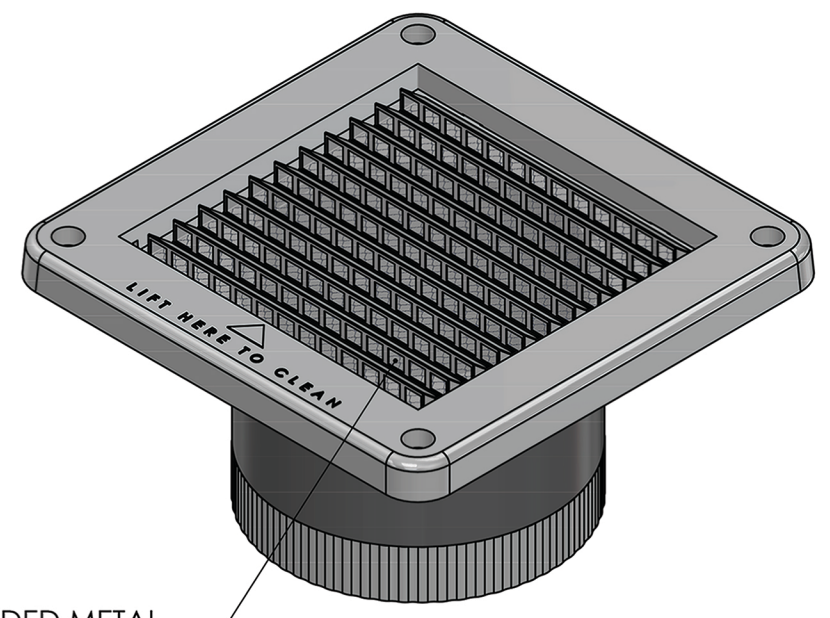
2

1



4X \varnothing .19 THRU ALL
 \square \varnothing .38 ∇ .25

EXPANDED METAL COVERING



Lambro Industries, Inc.
 115 Albany Ave.
 Amityville, NY 11701
 (631) 842-8088
 www.lambro.net



PROPRIETARY AND CONFIDENTIAL
 THE INFORMATION CONTAINED IN THIS DRAWING IS THE SOLE PROPERTY OF LAMBRO. ANY REPRODUCTION IN PART OR AS A WHOLE WITHOUT THE WRITTEN PERMISSION OF LAMBRO IS PROHIBITED.

UNLESS OTHERWISE SPECIFIED:		NAME	DATE
DIMENSIONS ARE IN INCHES		DRAWN	
TOLERANCES:		CHECKED	
FRACTIONAL $\pm 1/16$		ENG APPR.	
ANGULAR: MACH ± 1 BEND ± 0.01		MFG APPR.	
TWO PLACE DECIMAL ± 0.01		Q.A.	
THREE PLACE DECIMAL ± 0.005		COMMENTS:	
INTERPRET GEOMETRIC TOLERANCING PER:		Net Free Area (NFA)	
MATERIAL		Without Metal Screen: 9 sq. in.	
FINISH		With Metal Screen: 5 sq. in.	
NEXT ASSY	USED ON		
APPLICATION			
DO NOT SCALE DRAWING			

TITLE: 4" Plastic Fresh Air Intake Vent
 (Mini Louver) Metal Bug Screen
 3" Aluminum Pipe

SIZE	DWG. NO.	REV
B	674W-MLS	
SCALE: 1:2	WEIGHT:	SHEET 1 OF 1

4

3

2

1

B

B

A

A