

4

3

2

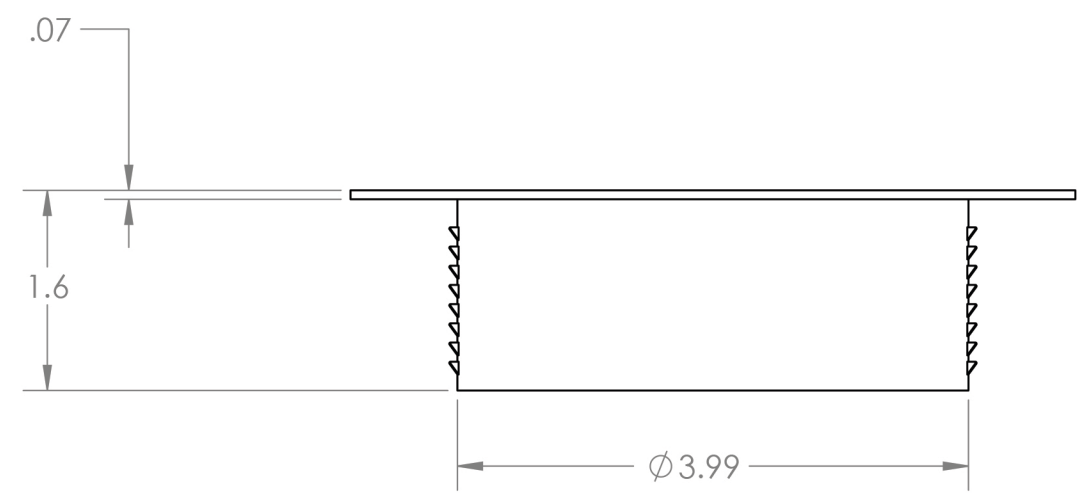
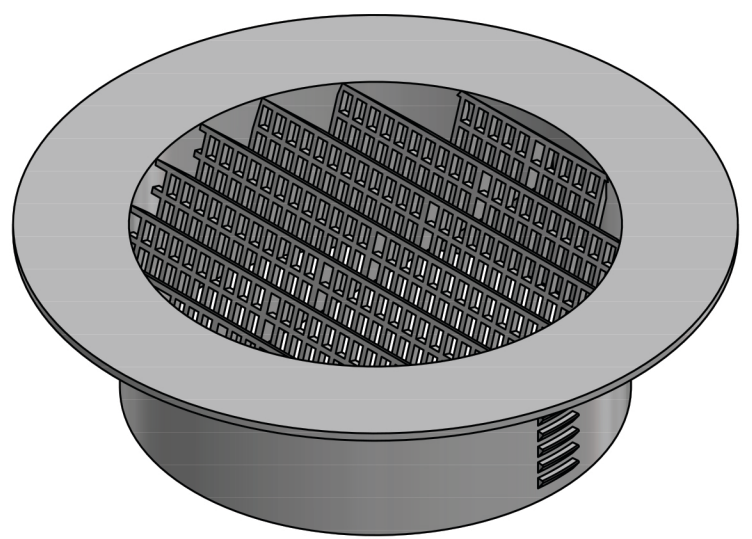
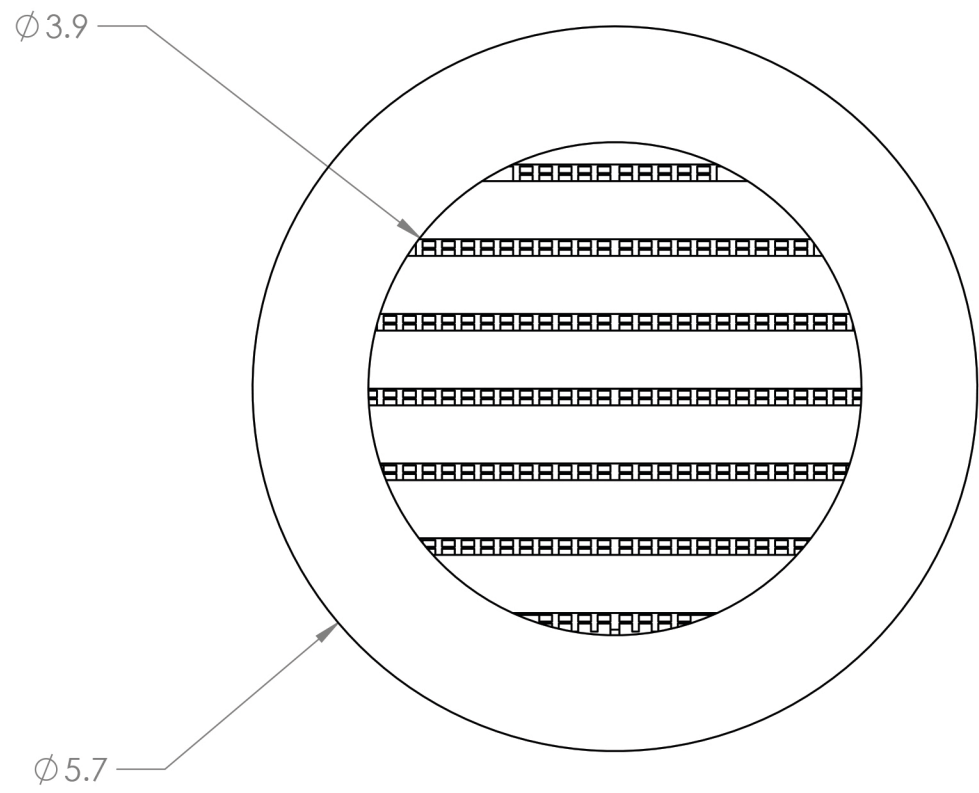
1

B

B

A

A



Lambro Industries, Inc.
 115 Albany Ave.
 Amityville, NY 11701
 (631) 842-8088
 www.lambro.net



PROPRIETARY AND CONFIDENTIAL
 THE INFORMATION CONTAINED IN THIS DRAWING IS THE SOLE PROPERTY OF LAMBRO. ANY REPRODUCTION IN PART OR AS A WHOLE WITHOUT THE WRITTEN PERMISSION OF LAMBRO IS PROHIBITED.

UNLESS OTHERWISE SPECIFIED:		NAME	DATE
DIMENSIONS ARE IN INCHES		DRAWN	
TOLERANCES:		CHECKED	
FRACTIONAL $\pm 1/16$		ENG APPR.	
ANGULAR: MACH ± 1 BEND ± 0.01		MFG APPR.	
TWO PLACE DECIMAL ± 0.01		Q.A.	
THREE PLACE DECIMAL ± 0.005		COMMENTS:	
INTERPRET GEOMETRIC TOLERANCING PER:		Net Free Area (NFA)	
MATERIAL		4.5 sq. in.	
FINISH			
NEXT ASSY	USED ON		
APPLICATION		DO NOT SCALE DRAWING	

TITLE: 4" Plastic Flush Mount Round Soffit Vent
 Friction Fit - 1.5" Collar
 Made of polymer resin material with UV inhibitor used to help prevent the premature fading of vent

SIZE	DWG. NO.	REV
B	174W	
SCALE: 1:1.5		WEIGHT:
		SHEET 1 OF 1

4

3

2

1