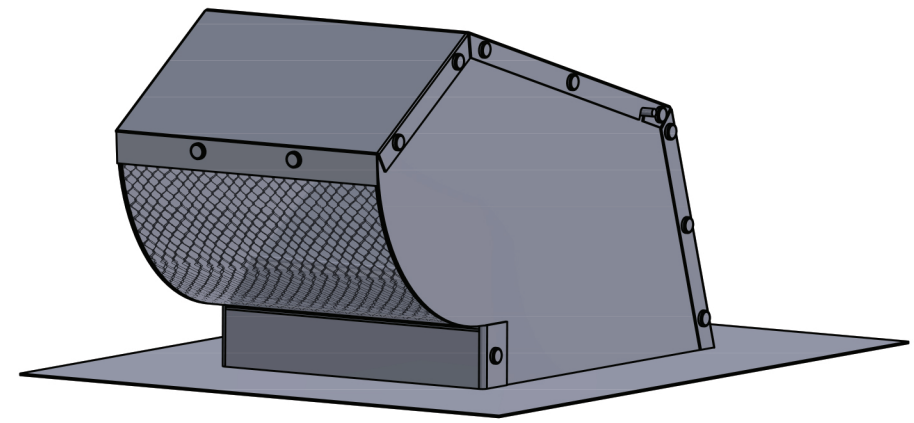
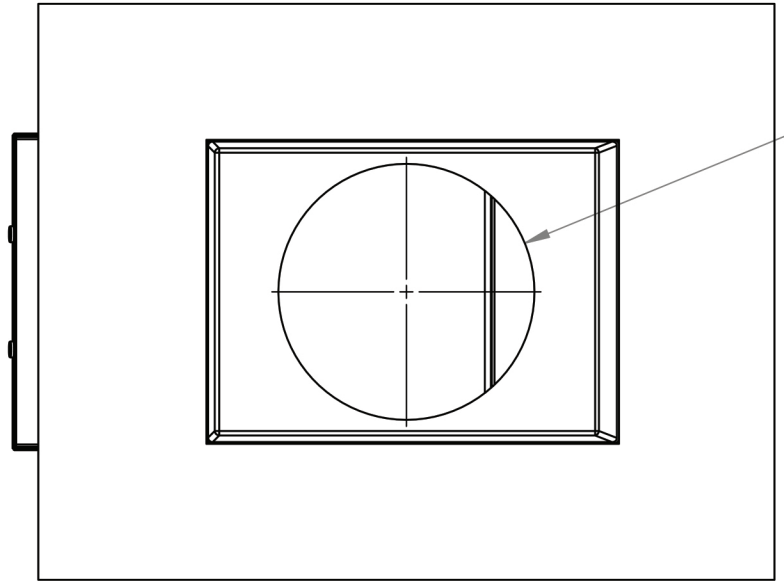
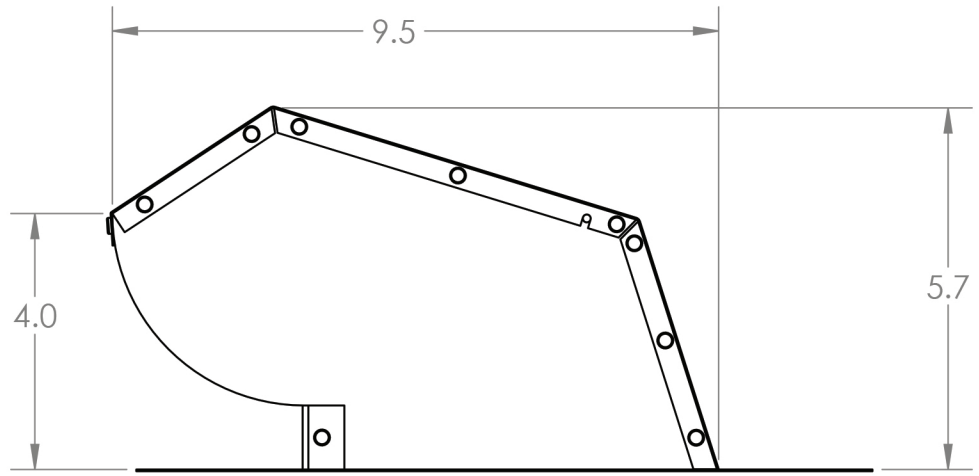
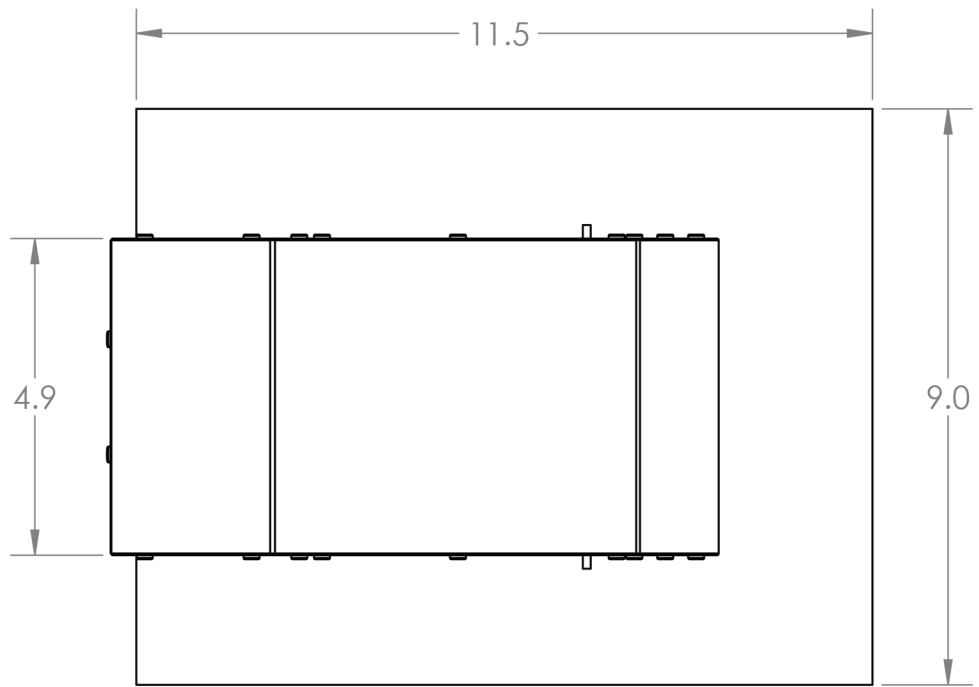


4

3

2

1



Lambro Industries, Inc.
 115 Albany Ave.
 Amityville, NY 11701
 (631) 842-8088
 www.lambro.net

TITLE: 4" Aluminum Roof Exhaust Vent
 Damper & Screen - Flush Mount

Cover & Base: 22 Gauge
 Damper: 26 Gauge

SIZE	DWG. NO.	REV
B	109NC	

SCALE: 1:3 WEIGHT: SHEET 1 OF 1

PROPRIETARY AND CONFIDENTIAL
 THE INFORMATION CONTAINED IN THIS DRAWING IS THE SOLE PROPERTY OF LAMBRO. ANY REPRODUCTION IN PART OR AS A WHOLE WITHOUT THE WRITTEN PERMISSION OF LAMBRO IS PROHIBITED.

UNLESS OTHERWISE SPECIFIED:		NAME	DATE
DIMENSIONS ARE IN INCHES		DRAWN	
TOLERANCES:		CHECKED	
FRACTIONAL ±1/16		ENG APPR.	
ANGULAR: MACH ±1 BEND ±.01		MFG APPR.	
TWO PLACE DECIMAL ±0.01		Q.A.	
THREE PLACE DECIMAL ±0.005		COMMENTS:	
INTERPRET GEOMETRIC TOLERANCING PER:		Net Free Area (NFA)	
MATERIAL		Without Screen: 20 sq. in.	
FINISH		With Screen: 10.5 sq. in.	
NEXT ASSY	USED ON	NOTE: To use for clothes dryer exhaust applications, remove the screen	
APPLICATION		DO NOT SCALE DRAWING	



4

3

2

1

B

B

A

A