

4

3

2

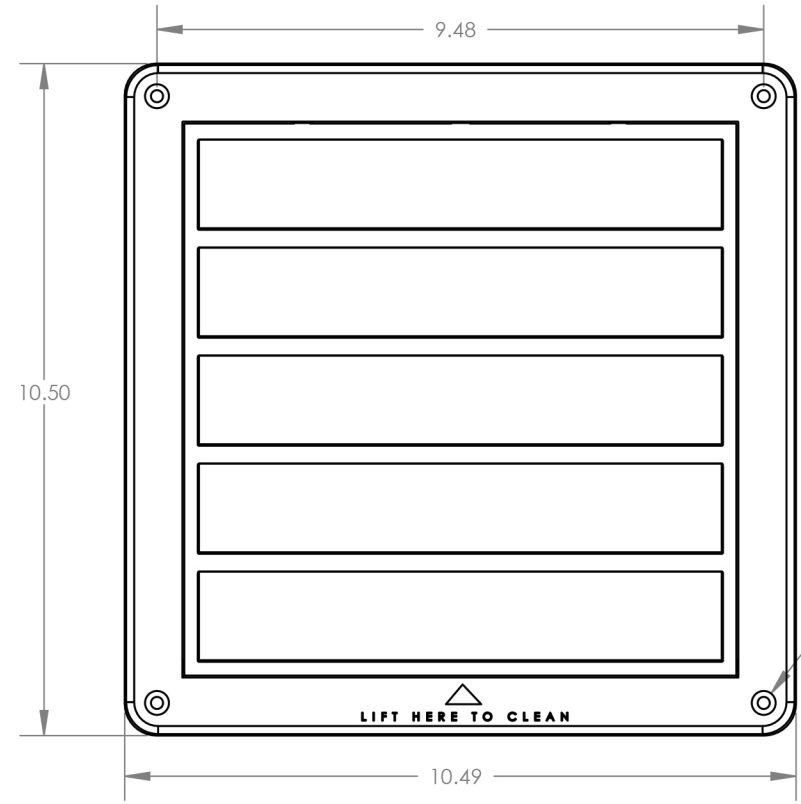
1

B

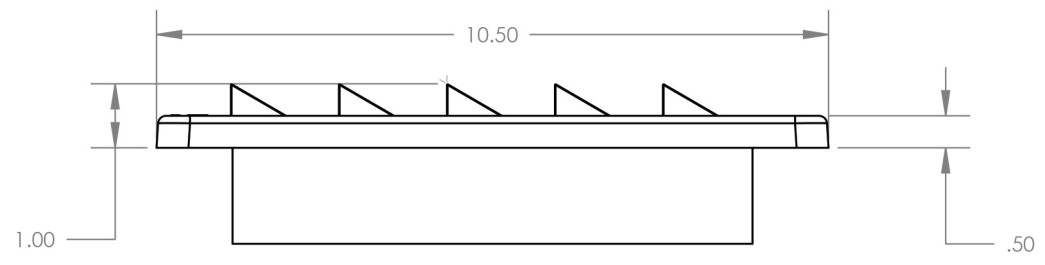
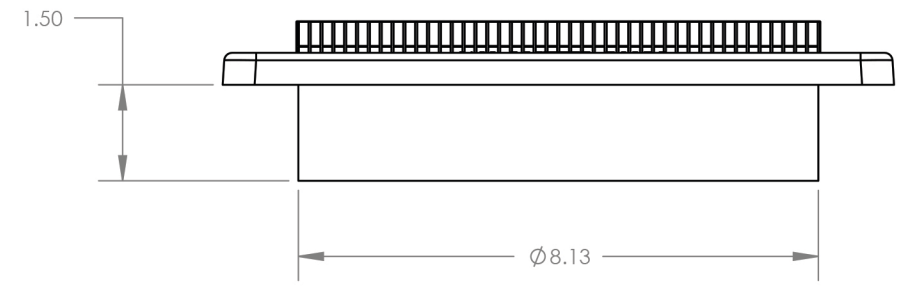
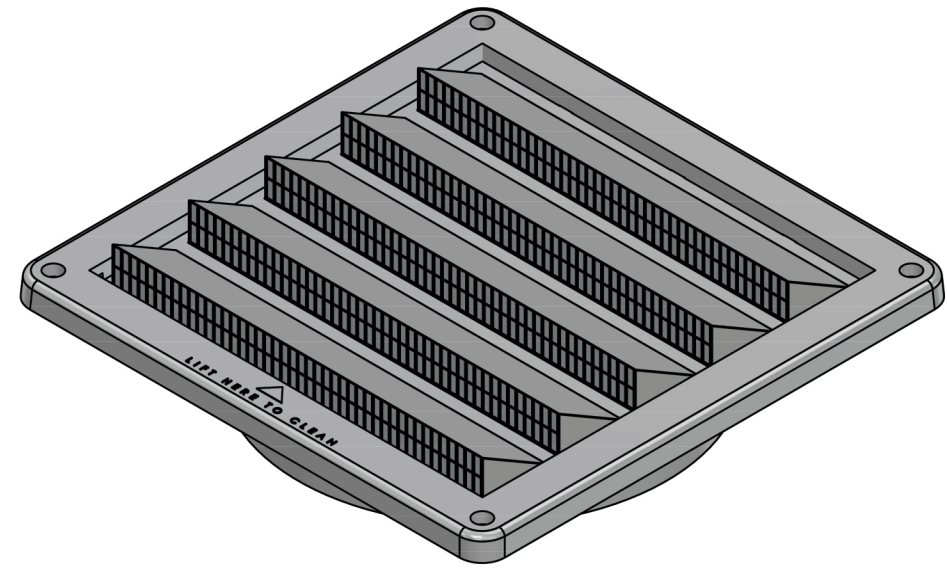
B

A

A



4X  $\phi$  .19 THRU ALL  
 $\square$   $\phi$  .38  $\nabla$  .25



Lambro Industries, Inc.  
 115 Albany Ave.  
 Amityville, NY 11701  
 (631) 842-8088  
 www.lambro.net

**PROPRIETARY AND CONFIDENTIAL**  
 THE INFORMATION CONTAINED IN THIS DRAWING IS THE SOLE PROPERTY OF LAMBRO. ANY REPRODUCTION IN PART OR AS A WHOLE WITHOUT THE WRITTEN PERMISSION OF LAMBRO IS PROHIBITED.

		UNLESS OTHERWISE SPECIFIED:	NAME	DATE
		DIMENSIONS ARE IN INCHES	DRAWN	
		TOLERANCES:	CHECKED	
		FRACTIONAL: $\pm 1/16$	ENG APPR.	
		ANGULAR: MACH $\pm 1$ BEND $\pm 0.01$	MFG APPR.	
		TWO PLACE DECIMAL $\pm 0.01$	Q.A.	
		THREE PLACE DECIMAL $\pm 0.005$	COMMENTS:	
		INTERPRET GEOMETRIC TOLERANCING PER:	Net Free Area (NFA)	
		MATERIAL	24 sq. in.	
NEXT ASSY	USED ON	FINISH		
APPLICATION		DO NOT SCALE DRAWING		

TITLE: 6" Plastic Fresh Air Intake Vent  
 Removable Screen

SIZE	DWG. NO.	REV
<b>B</b>	<b>608W</b>	
SCALE: 1:3	WEIGHT:	SHEET 1 OF 1

4

3

2

1