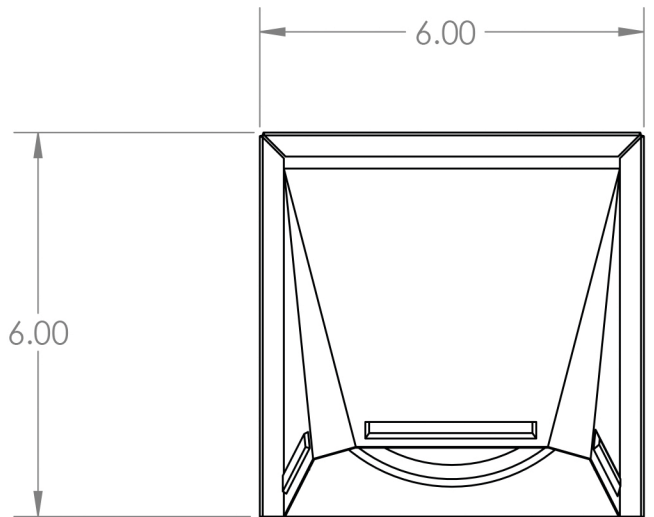


4

3

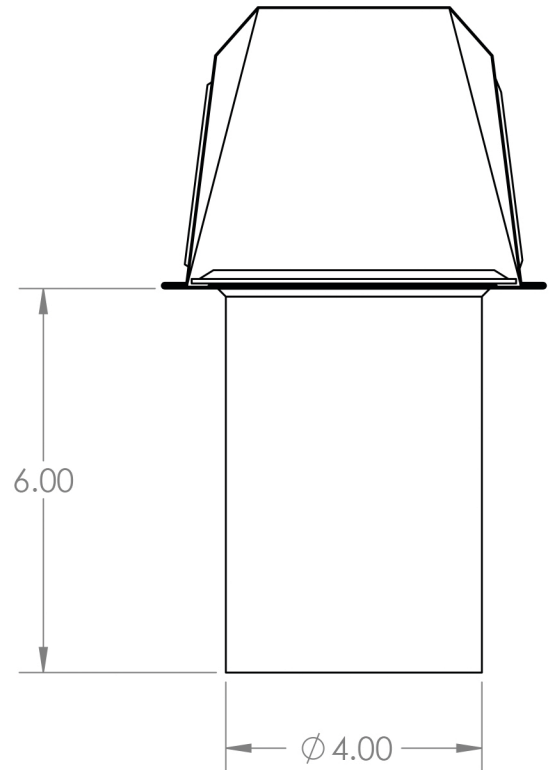
2

1



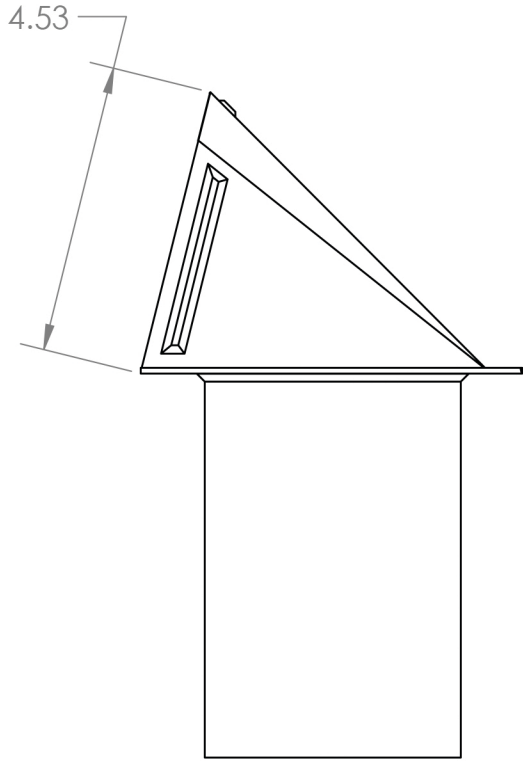
6.00

6.00

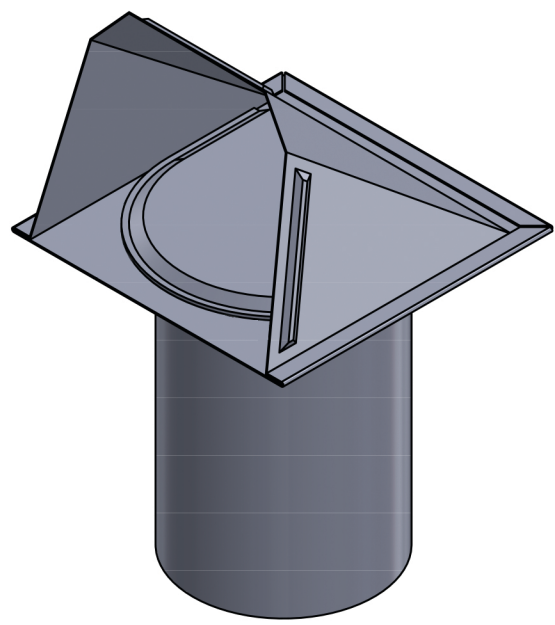


6.00

Ø 4.00



4.53



Lambro Industries, Inc.
 115 Albany Ave.
 Amityville, NY 11701
 (631) 842-8088
 www.lambro.net

PROPRIETARY AND CONFIDENTIAL
 THE INFORMATION CONTAINED IN THIS DRAWING IS THE SOLE PROPERTY OF LAMBRO. ANY REPRODUCTION IN PART OR AS A WHOLE WITHOUT THE WRITTEN PERMISSION OF LAMBRO IS PROHIBITED.

| | | | | |
|-------------|---------|--------------------------------------|-----------------------------|------|
| | | UNLESS OTHERWISE SPECIFIED: | NAME | DATE |
| | | DIMENSIONS ARE IN INCHES | DRAWN | |
| | | TOLERANCES: | CHECKED | |
| | | FRACTIONAL ± 1/16 | ENG APPR. | |
| | | ANGULAR: MACH ± 1 BEND ± 0.01 | MFG APPR. | |
| | | TWO PLACE DECIMAL ± 0.01 | Q.A. | |
| | | THREE PLACE DECIMAL ± 0.005 | COMMENTS: | |
| | | INTERPRET GEOMETRIC TOLERANCING PER: | Net Free Area (NFA) | |
| | | MATERIAL | Mouth Opening: 20.5 sq. in. | |
| | | FINISH | Spring Controlled Damper | |
| NEXT ASSY | USED ON | | | |
| APPLICATION | | DO NOT SCALE DRAWING | | |

TITLE: 4" Paint Grade Steel Wall Exhaust Hood Vent
 Spring Damper - 6" Pipe
 Cover, Base, Damper & Pipe: 26 Gauge

SIZE DWG. NO.
B 34400GSPG-6-PG

SCALE: 1:3 WEIGHT: SHEET 1 OF 1

4

3

2

1

B

B

A

A