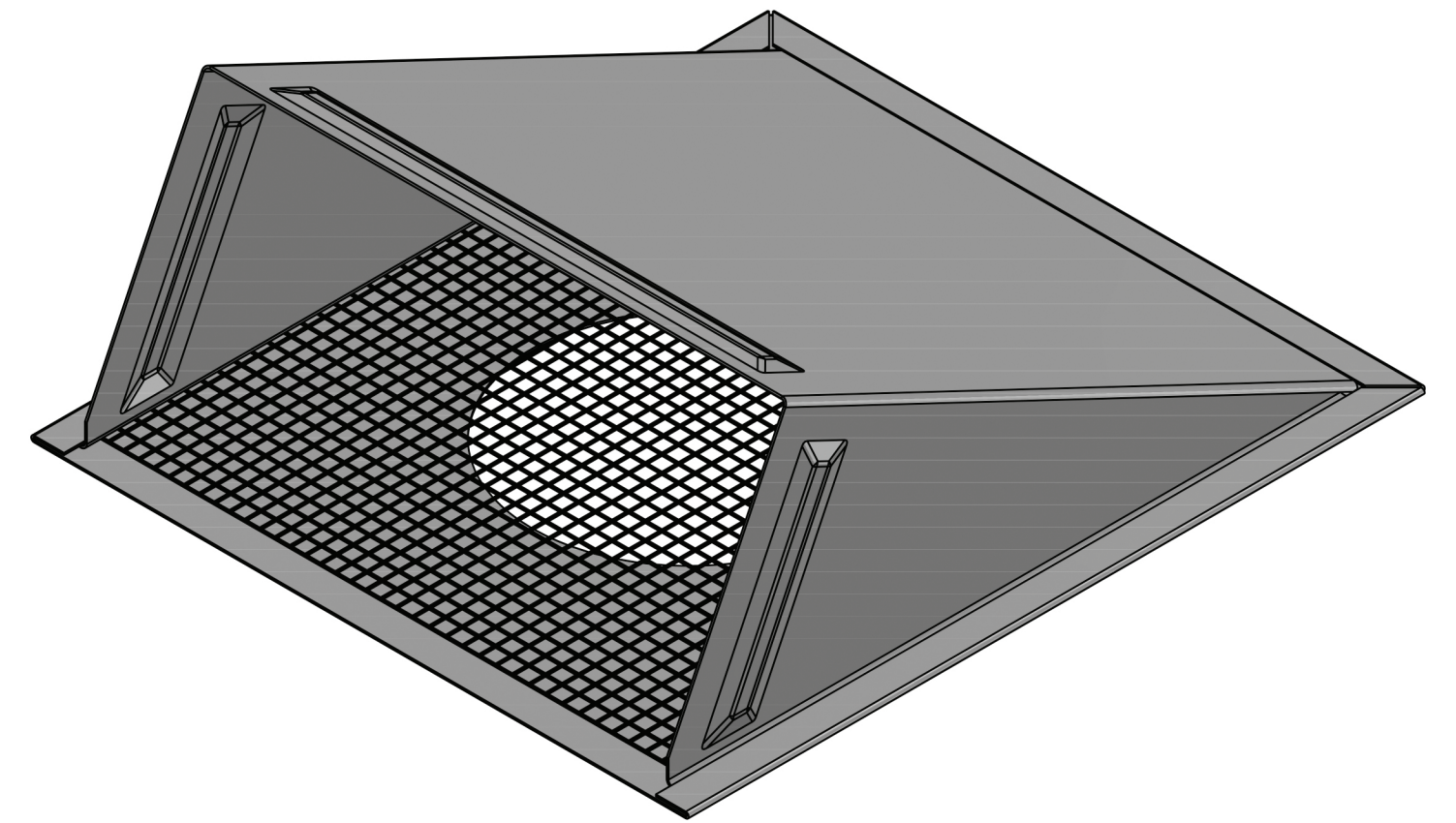
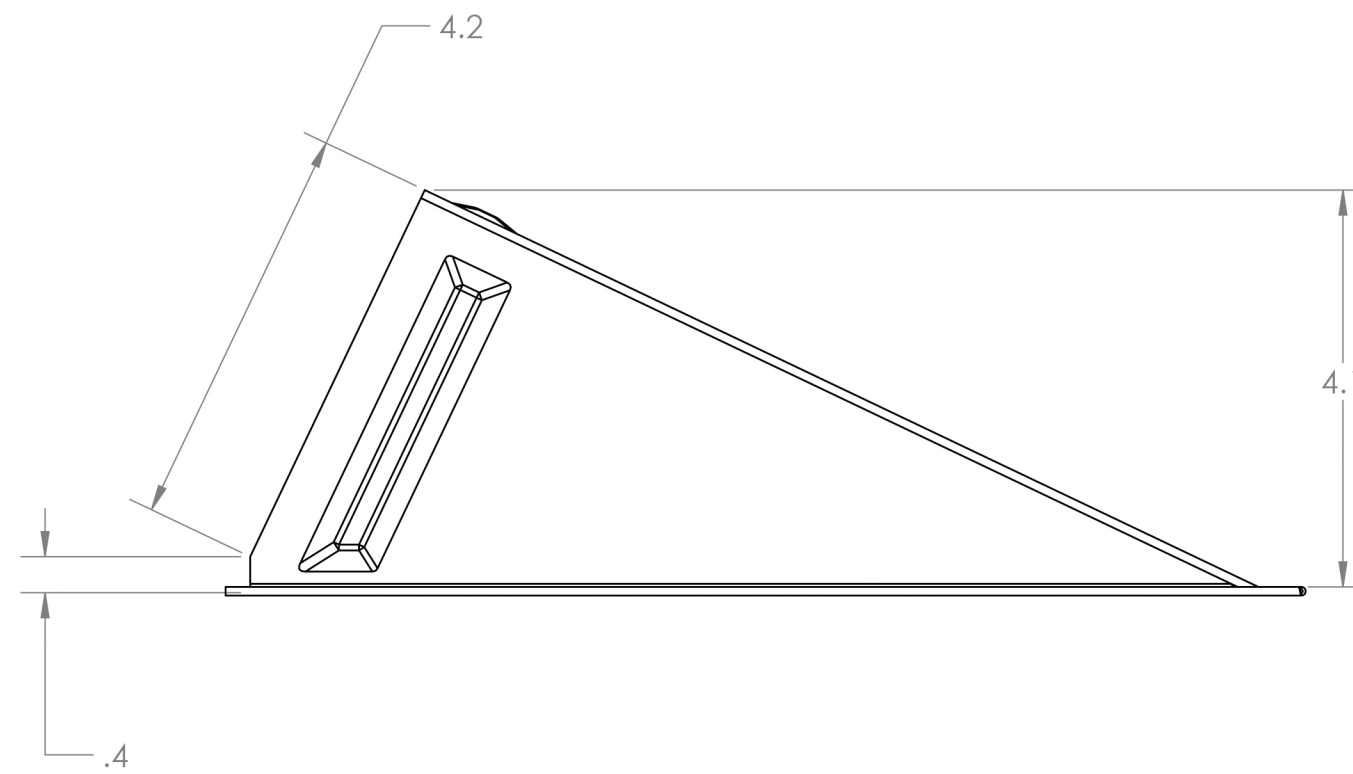
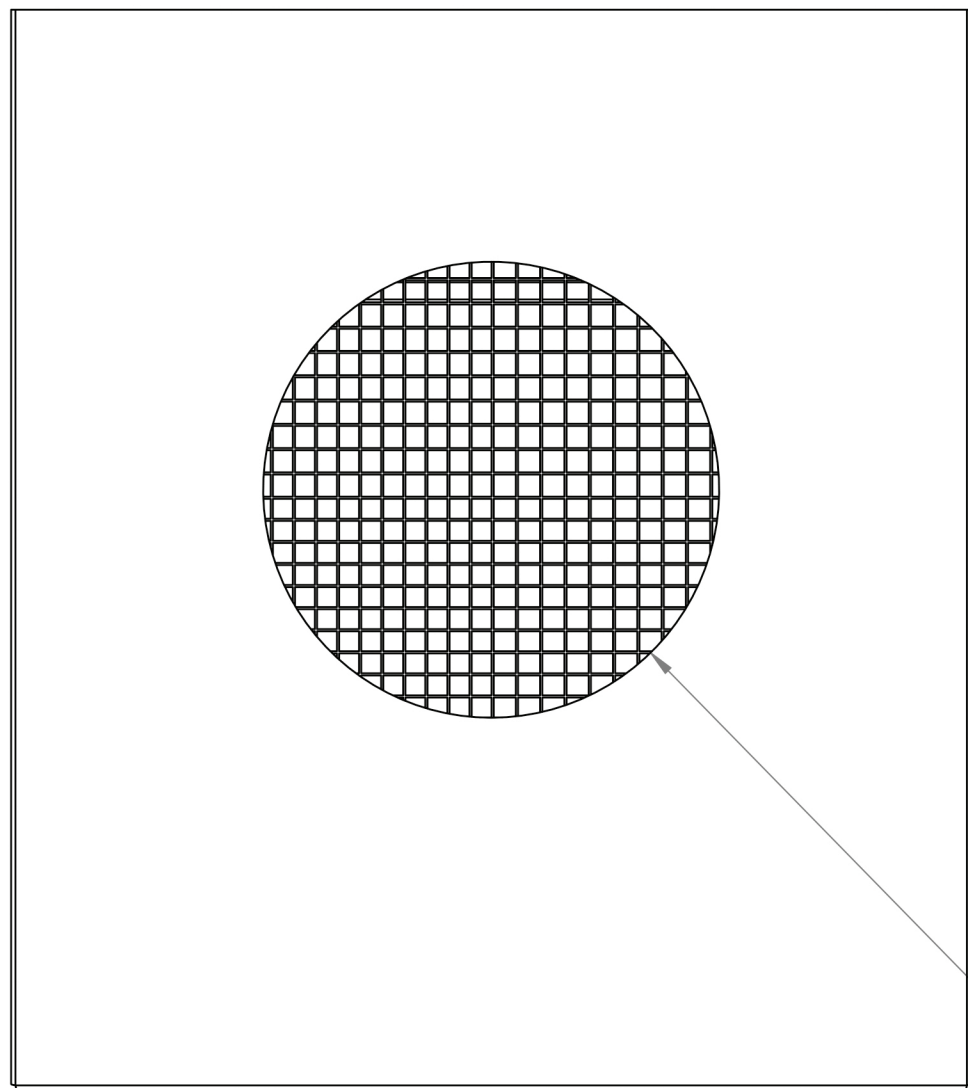
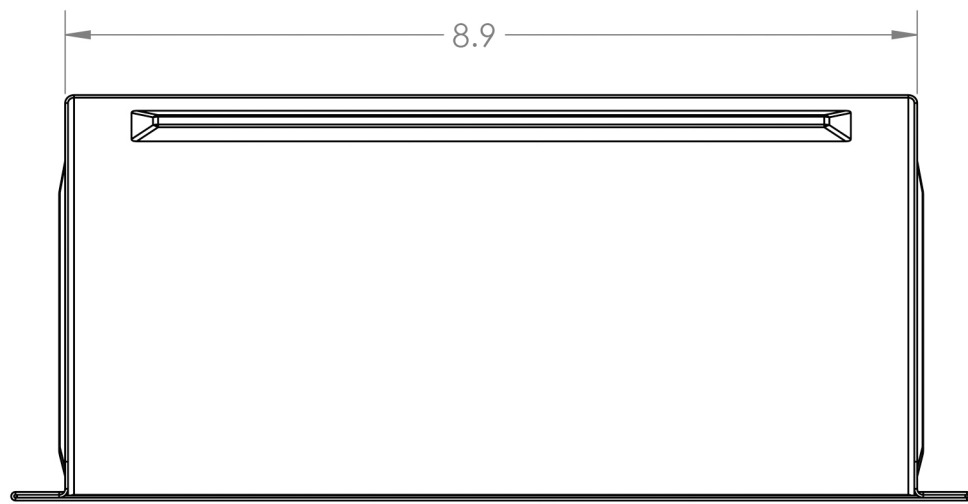
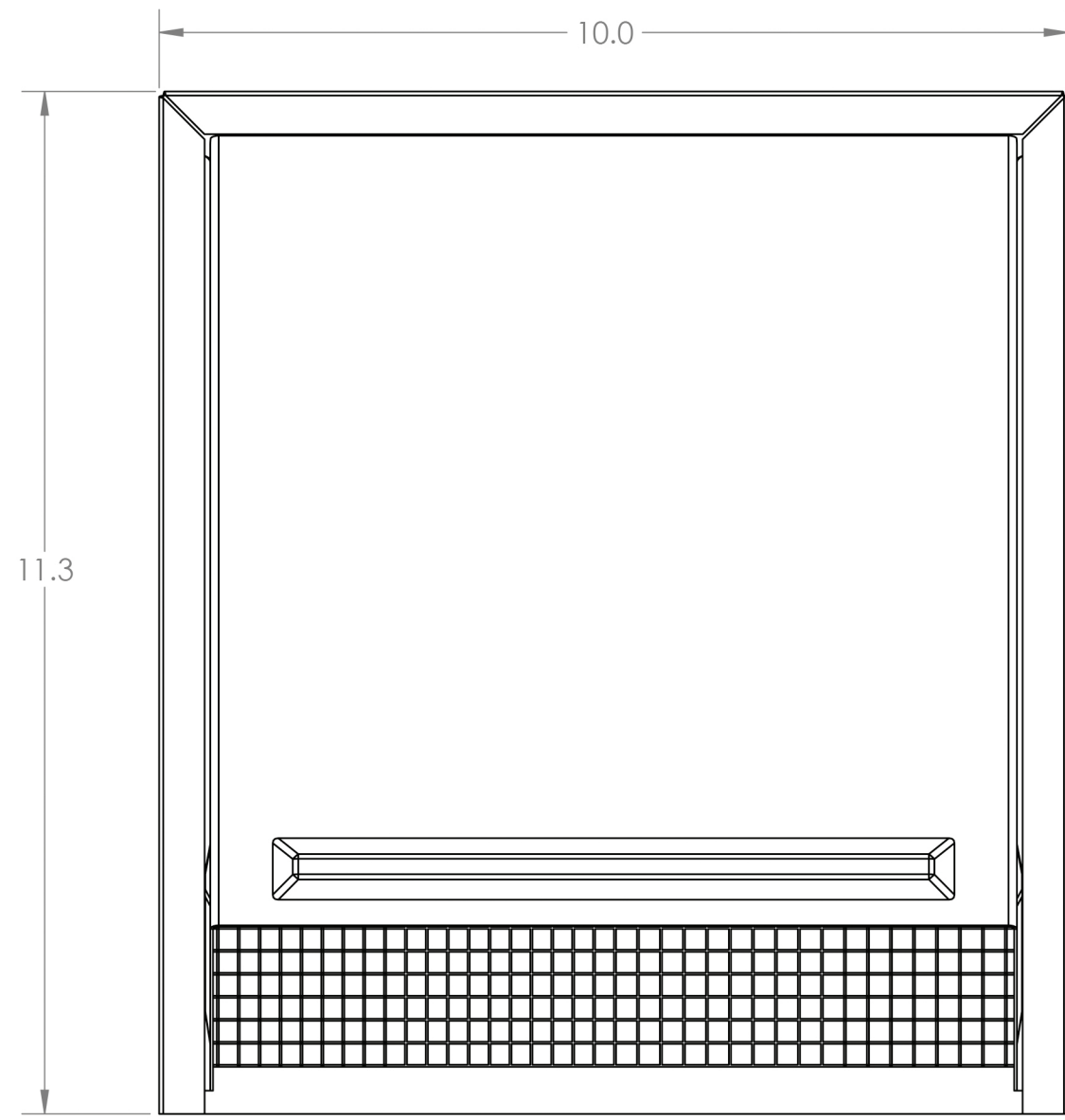


4

3

2

1



PROPRIETARY AND CONFIDENTIAL
 THE INFORMATION CONTAINED IN THIS DRAWING IS THE SOLE PROPERTY OF LAMBRO. ANY REPRODUCTION IN PART OR AS A WHOLE WITHOUT THE WRITTEN PERMISSION OF LAMBRO IS PROHIBITED.

UNLESS OTHERWISE SPECIFIED:		NAME	DATE
DIMENSIONS ARE IN INCHES		DRAWN	
TOLERANCES:		CHECKED	
FRACTIONAL: $\pm 1/16$		ENG APPR.	
ANGULAR: MACH: ± 1 BEND: $\pm .01$		MFG APPR.	
TWO PLACE DECIMAL: ± 0.01		Q.A.	
THREE PLACE DECIMAL: ± 0.005		COMMENTS:	
INTERPRET GEOMETRIC TOLERANCING PER:		Net Free Area (NFA)	
MATERIAL		Mouth Opening: 40 sq. in.	
FINISH		Opening with Screen: 11 sq. in.	
NEXT ASSY	USED ON	SCALE: 1:2	WEIGHT:
APPLICATION		DO NOT SCALE DRAWING	

LAMBRO Lambro Industries, Inc.
 115 Albany Ave.
 Amityville, NY 11701
 (631) 842-8088
 www.lambro.net

TITLE: 5" Paint Grade Steel Fresh Air Intake Vent
 1/4" Wire Mesh Screen - Flush Mount
 Cover & Base: 26 Gauge

SIZE DWG. NO. REV
C 3450GNDMSNT-PG

SHEET 1 OF 1

4

3

2

1

D

D

C

C

B

B

A

A