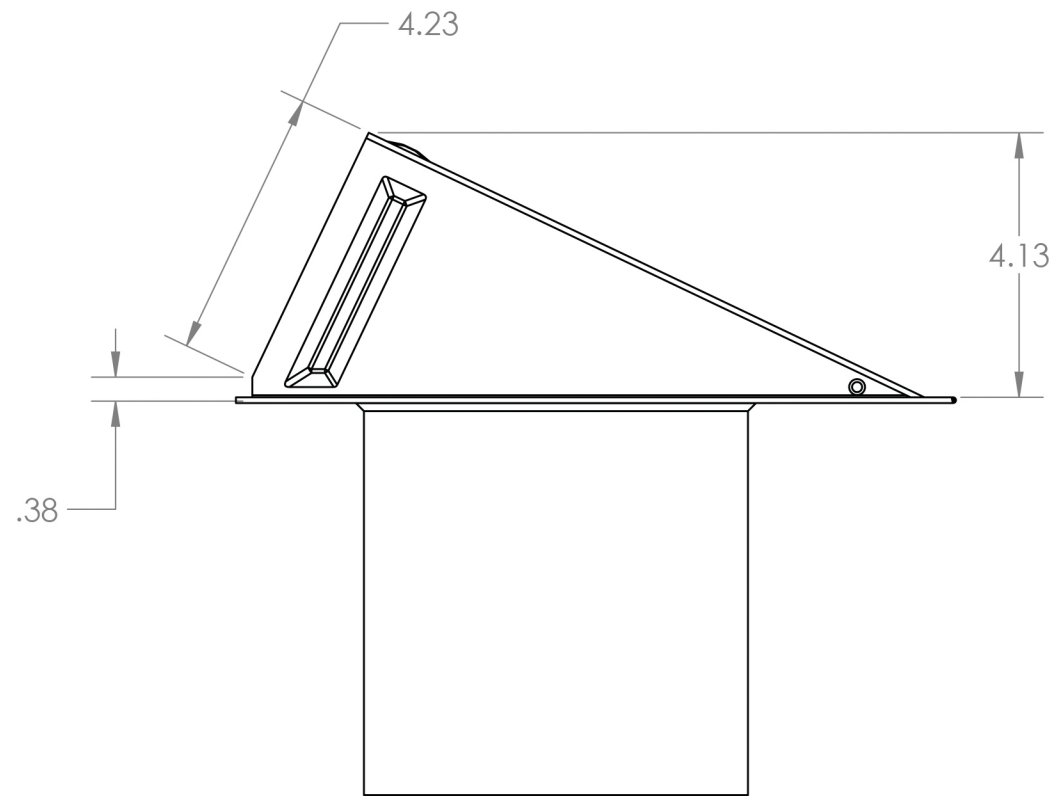
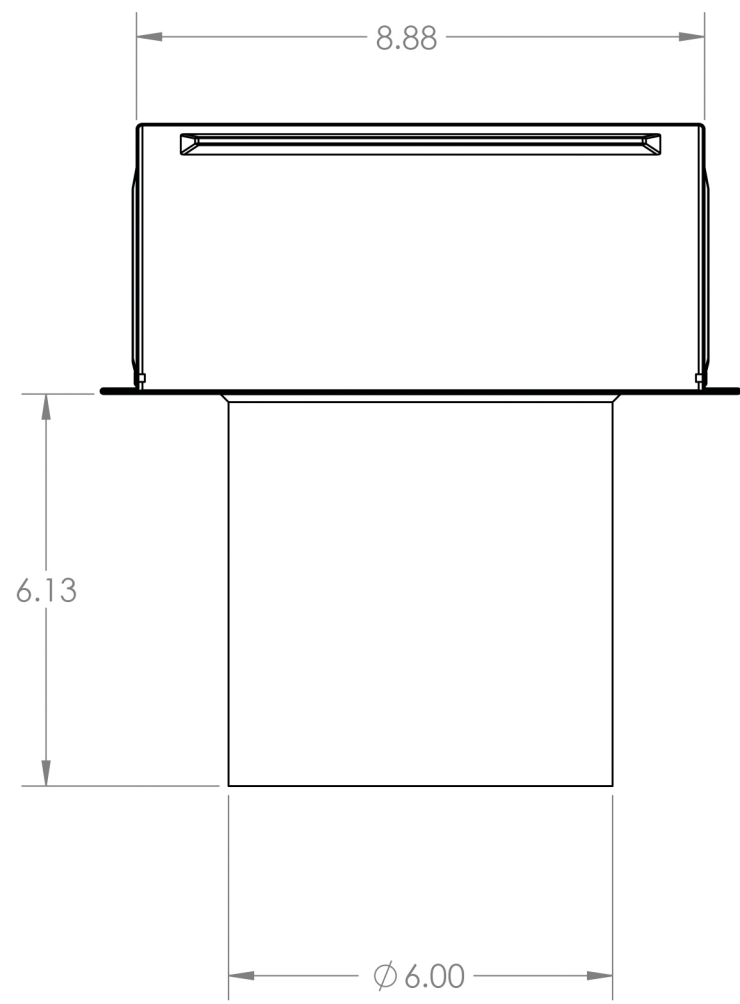
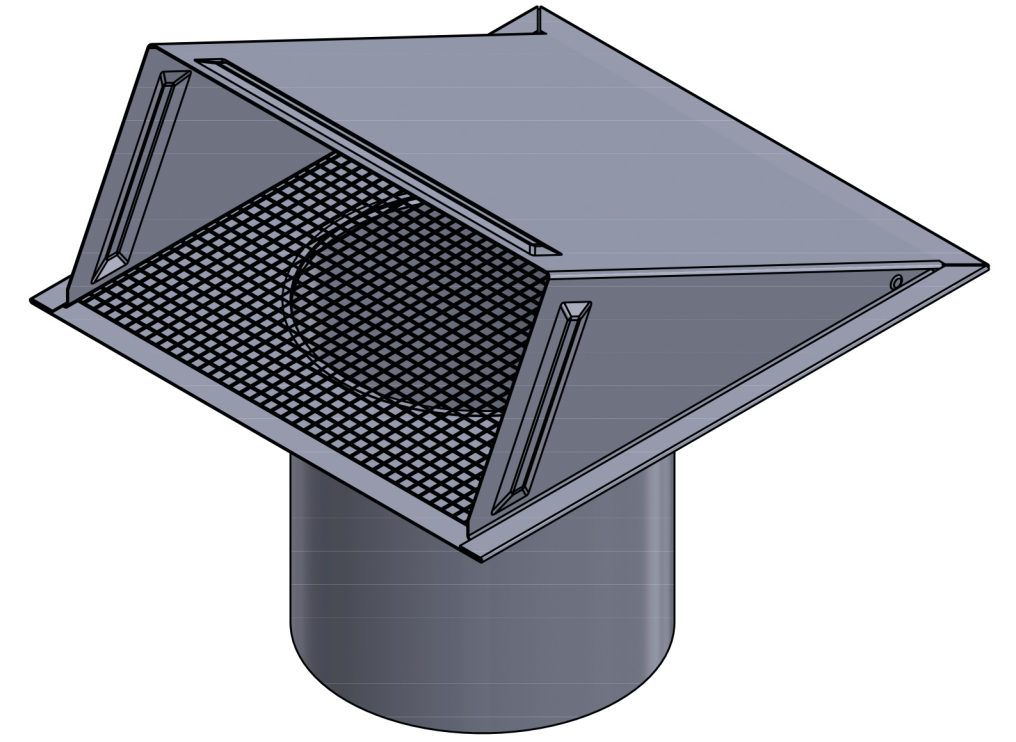
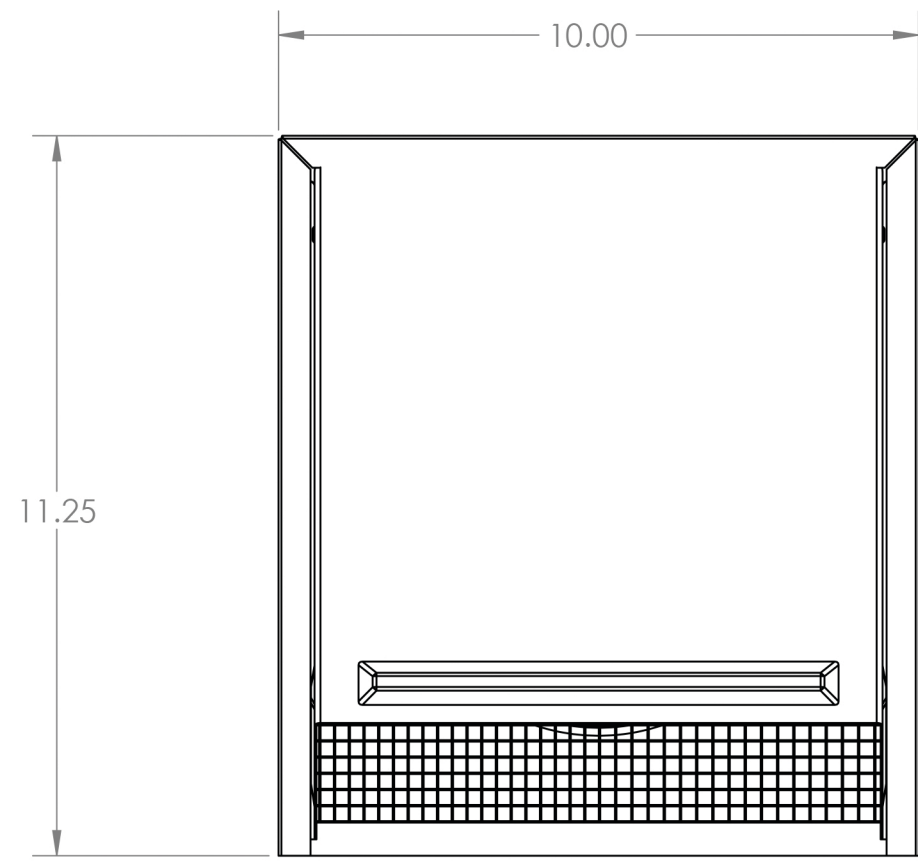


4

3

2

1



**LAMBRO** Lambro Industries, Inc.  
 115 Albany Ave.  
 Amityville, NY 11701  
 (631) 842-8088  
 www.lambro.net

**PROPRIETARY AND CONFIDENTIAL**  
 THE INFORMATION CONTAINED IN THIS  
 DRAWING IS THE SOLE PROPERTY OF  
 LAMBRO. ANY REPRODUCTION IN PART  
 OR AS A WHOLE WITHOUT THE WRITTEN  
 PERMISSION OF LAMBRO IS PROHIBITED.

UNLESS OTHERWISE SPECIFIED:		NAME	DATE
DIMENSIONS ARE IN INCHES	DRAWN		
TOLERANCES:	CHECKED		
FRACTIONAL $\pm 1/16$	ENG APPR.		
ANGULAR: MACH $\pm 1$ BEND $\pm .01$	MFG APPR.		
TWO PLACE DECIMAL $\pm 0.01$	Q.A.		
THREE PLACE DECIMAL $\pm 0.005$	COMMENTS:		
INTERPRET GEOMETRIC TOLERANCING PER:	Net Free Area (NFA)		
MATERIAL	Mouth Opening: 40 sq. in.		
FINISH	Screen Opening: 15 sq. in.		
APPLICATION	DO NOT SCALE DRAWING		

TITLE: 6" Paint Grade Steel Fresh Air Intake Vent (No Damper) 1/4" Wire Mesh Screen - 6" Pipe Cover, Base & Pipe: 26 Gauge		
SIZE	DWG. NO.	REV
C	3460GNDMS-6-PG	
SCALE: 1:3	WEIGHT:	SHEET 1 OF 1

4

3

2

1

D

D

C

C

B

B

A

A