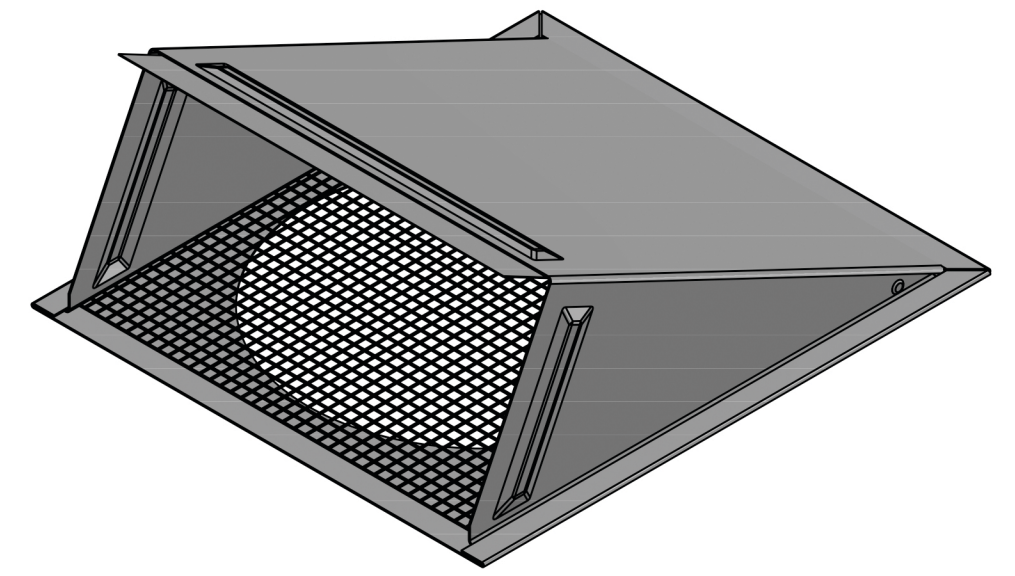
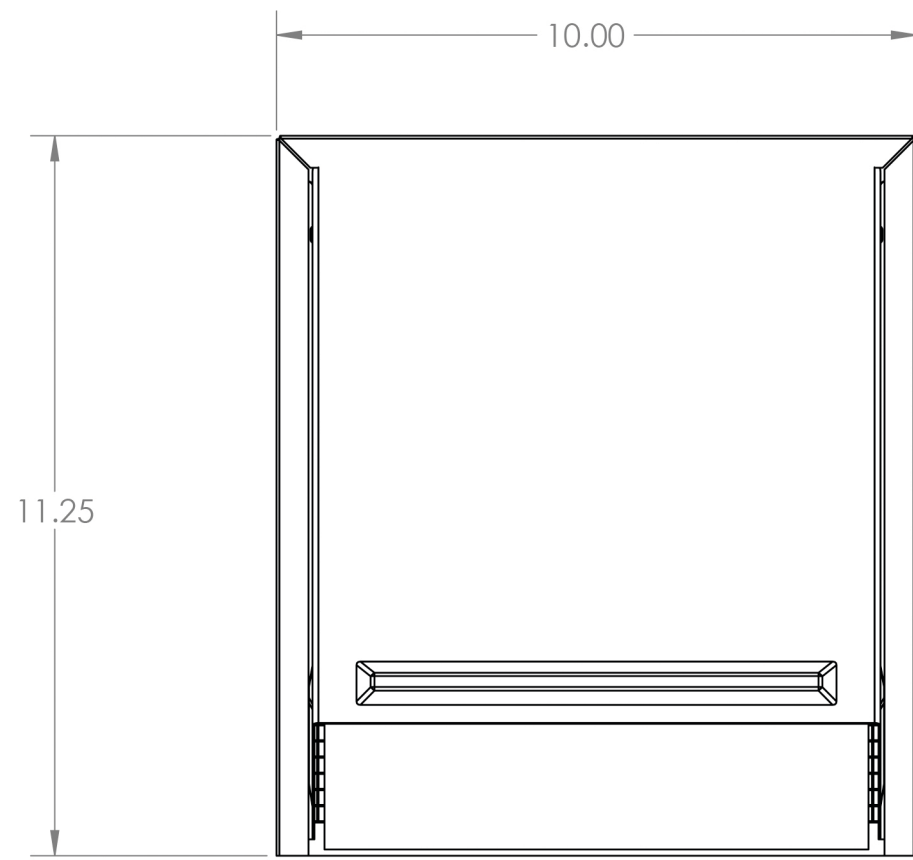


4

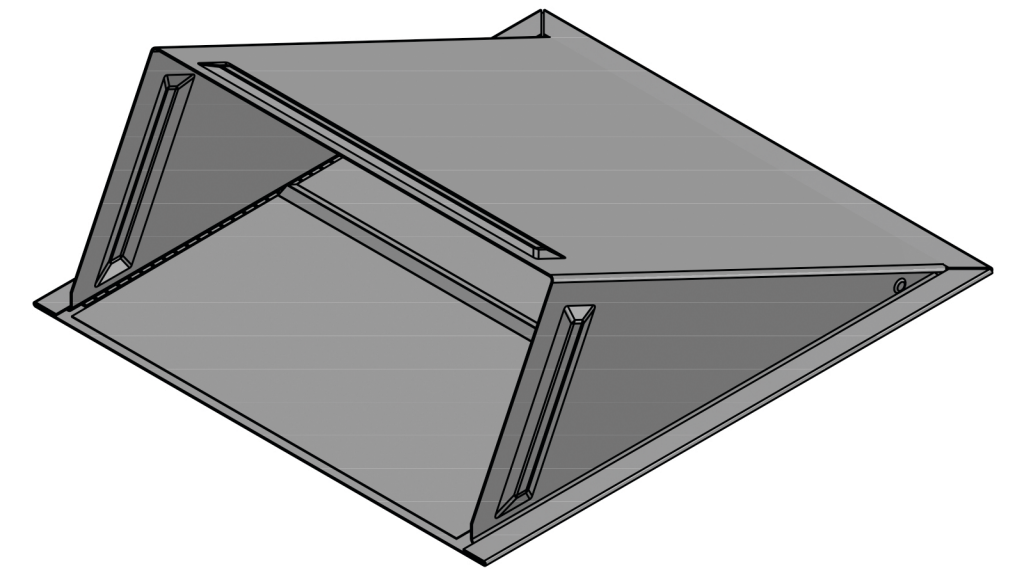
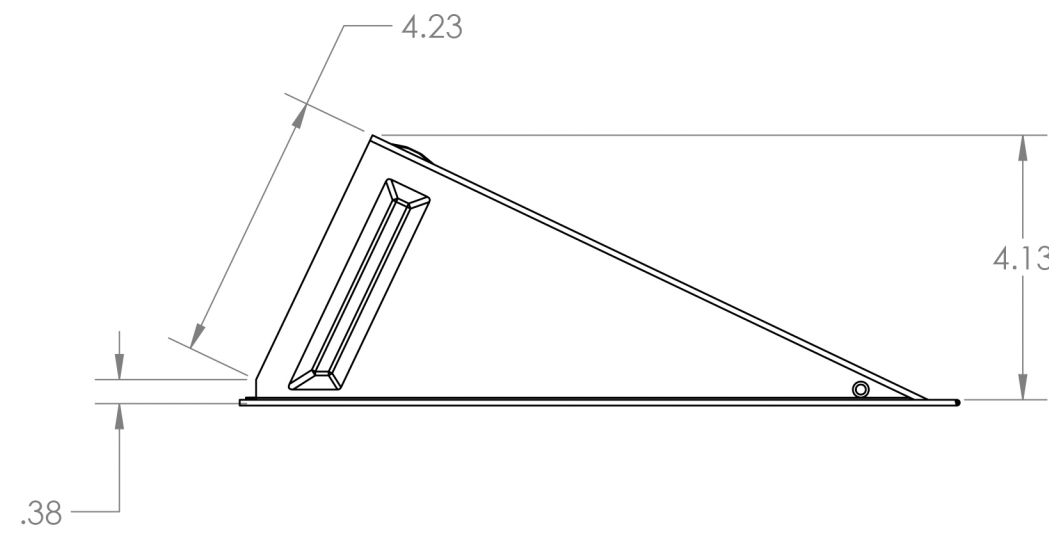
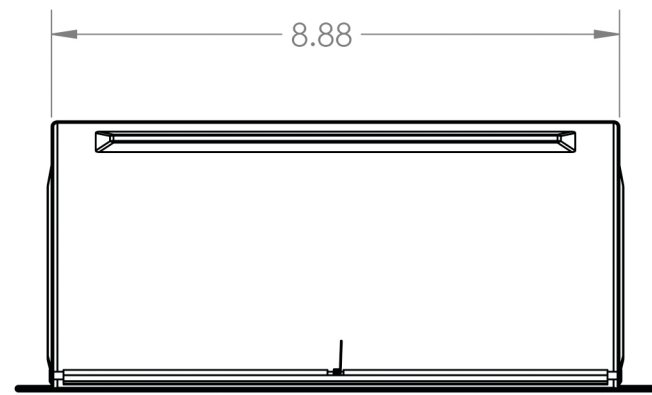
3

2

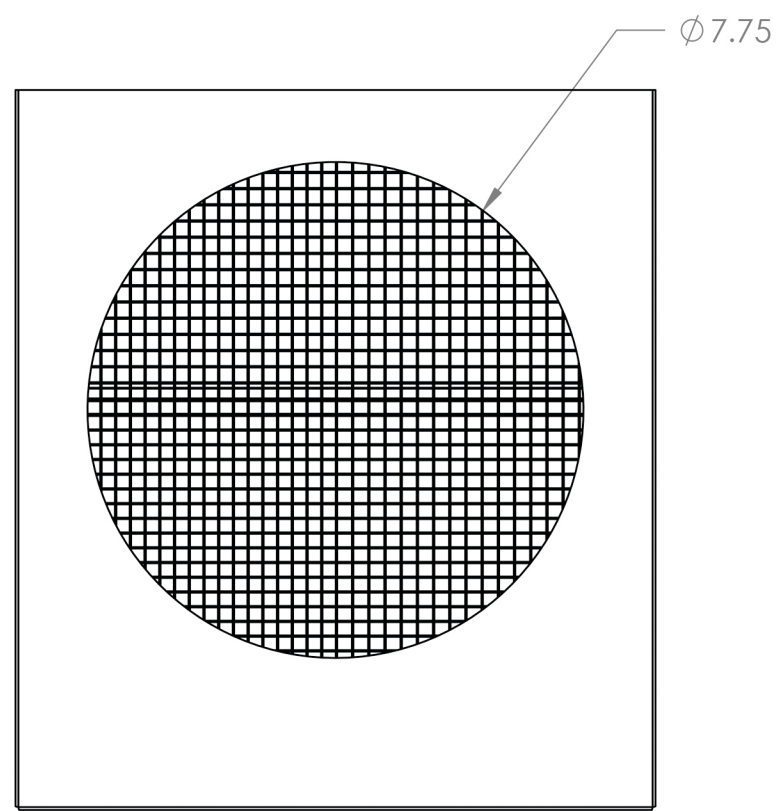
1



OPEN VENT



CLOSED VENT



**LAMBRO** Lambro Industries, Inc.  
 115 Albany Ave.  
 Amityville, NY 11701  
 (631) 842-8088  
 www.lambro.net

**PROPRIETARY AND CONFIDENTIAL**  
 THE INFORMATION CONTAINED IN THIS DRAWING IS THE SOLE PROPERTY OF LAMBRO. ANY REPRODUCTION IN PART OR AS A WHOLE WITHOUT THE WRITTEN PERMISSION OF LAMBRO IS PROHIBITED.

UNLESS OTHERWISE SPECIFIED:		NAME	DATE
DIMENSIONS ARE IN INCHES	DRAWN		
TOLERANCES:	CHECKED		
FRACTIONAL ± 1/16	ENG APPR.		
ANGULAR: MACH ± 1 BEND ± .01	MFG APPR.		
TWO PLACE DECIMAL ± 0.01	Q.A.		
THREE PLACE DECIMAL ± 0.005	COMMENTS:		
INTERPRET GEOMETRIC TOLERANCING PER:	Net Free Area (NFA)		
MATERIAL	Mouth Opening: 40 sq. in.		
FINISH	Opening With Screen: 28 sq. in.		
NEXT ASSY	USED ON		
APPLICATION	DO NOT SCALE DRAWING		

TITLE: 8" Galvanized Steel Wall Exhaust Hood Vent  
 Spring Damper - 1/4" Wire Mesh Screen  
 Flush Mount

Cover & Base: 26 Gauge  
 Damper: 26 Gauge (Aluminum)

SIZE DWG. NO. REV  
**C 3480GMSNT**

SCALE: 1:3 WEIGHT: SHEET 1 OF 1

4

3

2

1

D

D

C

C

B

B

A

A