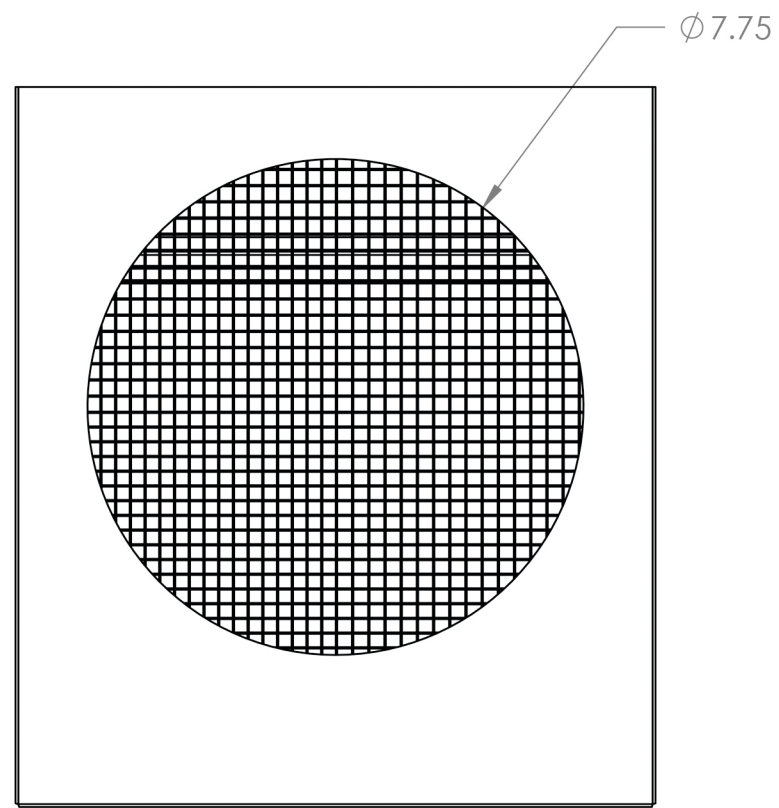
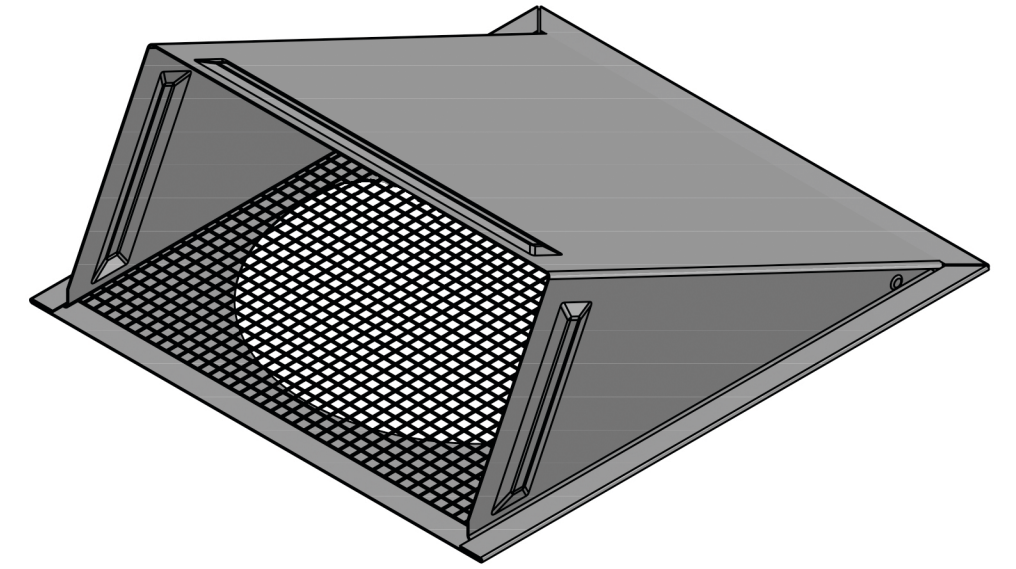
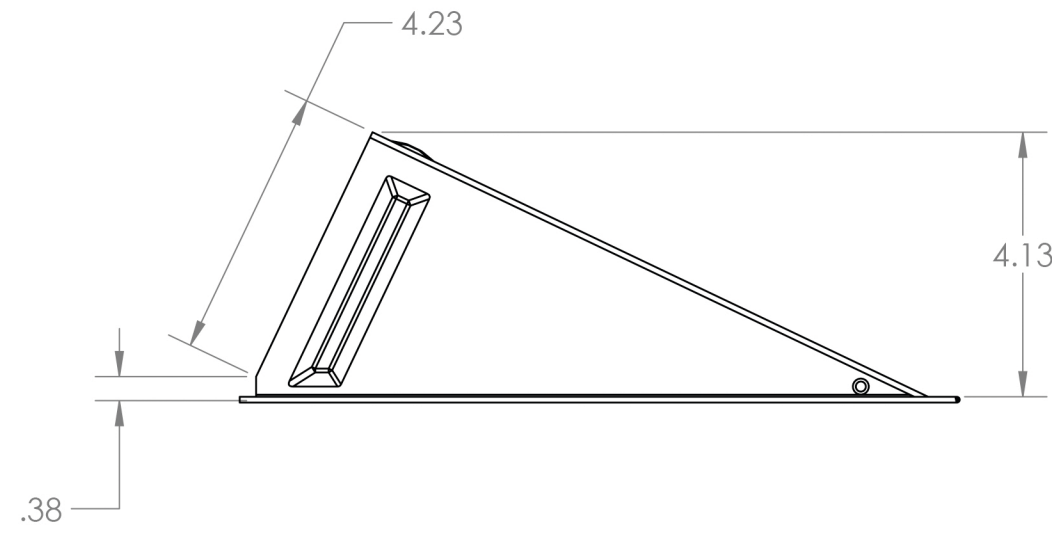
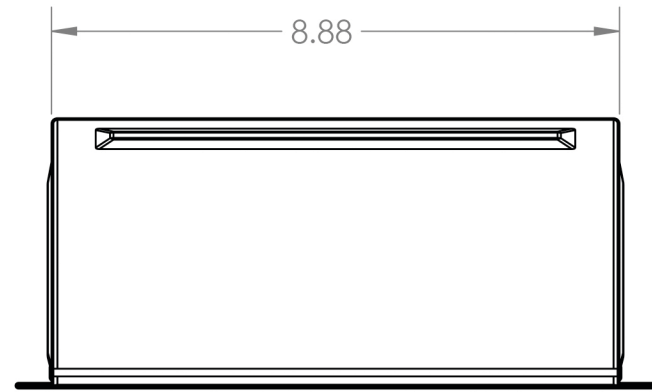
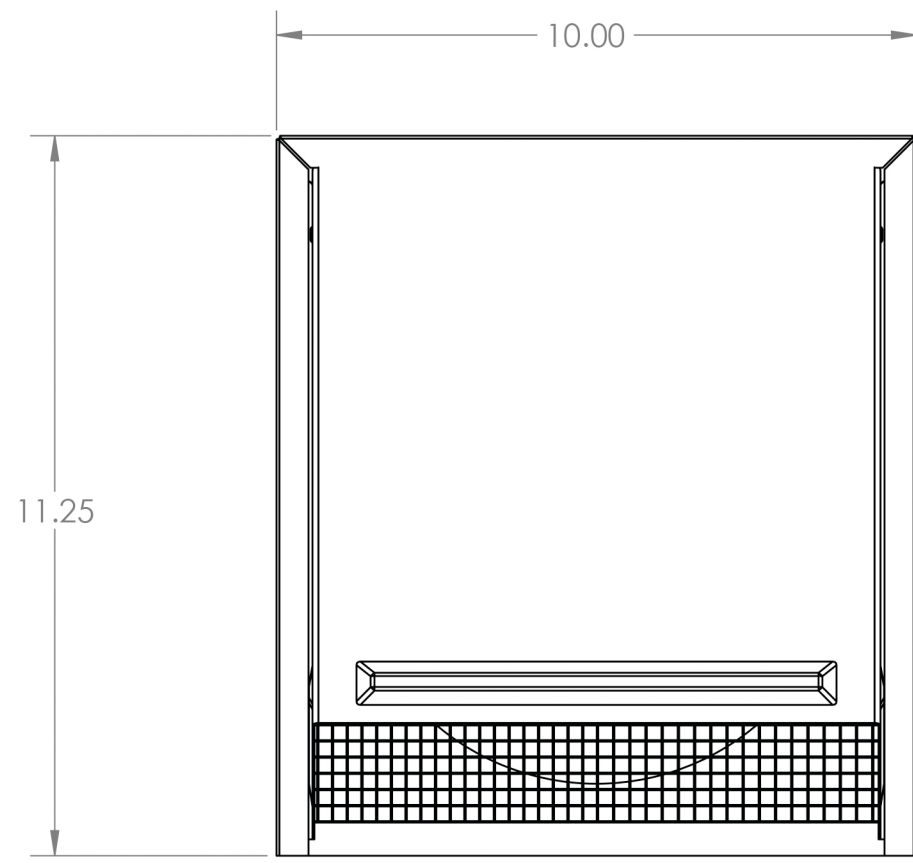


4

3

2

1



**LAMBRO** Lambro Industries, Inc.  
 115 Albany Ave.  
 Amityville, NY 11701  
 (631) 842-8088  
 www.lambro.net

**PROPRIETARY AND CONFIDENTIAL**  
 THE INFORMATION CONTAINED IN THIS DRAWING IS THE SOLE PROPERTY OF LAMBRO. ANY REPRODUCTION IN PART OR AS A WHOLE WITHOUT THE WRITTEN PERMISSION OF LAMBRO IS PROHIBITED.

UNLESS OTHERWISE SPECIFIED:		NAME	DATE
DIMENSIONS ARE IN INCHES		DRAWN	
TOLERANCES:		CHECKED	
FRACTIONAL $\pm 1/16$		ENG APPR.	
ANGULAR: MACH $\pm 1$ BEND $\pm .01$		MFG APPR.	
TWO PLACE DECIMAL $\pm 0.01$		Q.A.	
THREE PLACE DECIMAL $\pm 0.005$		COMMENTS:	
INTERPRET GEOMETRIC TOLERANCING PER:		Net Free Area (NFA)	
MATERIAL		Mouth Opening: 40 sq. in.	
FINISH		Opening With Screen: 18 sq. in.	
NEXT ASSY	USED ON	SCALE: 1:3	WEIGHT:
APPLICATION		DO NOT SCALE DRAWING	

TITLE: 8" Paint Grade Steel Fresh Air Intake Vent Wire Mesh Screen - Flush Mount Cover & Base: 26 Gauge		
SIZE	DWG. NO.	REV
<b>C</b>	<b>3480GNDMSNT-PG</b>	
SCALE: 1:3		SHEET 1 OF 1

4

3

2

1