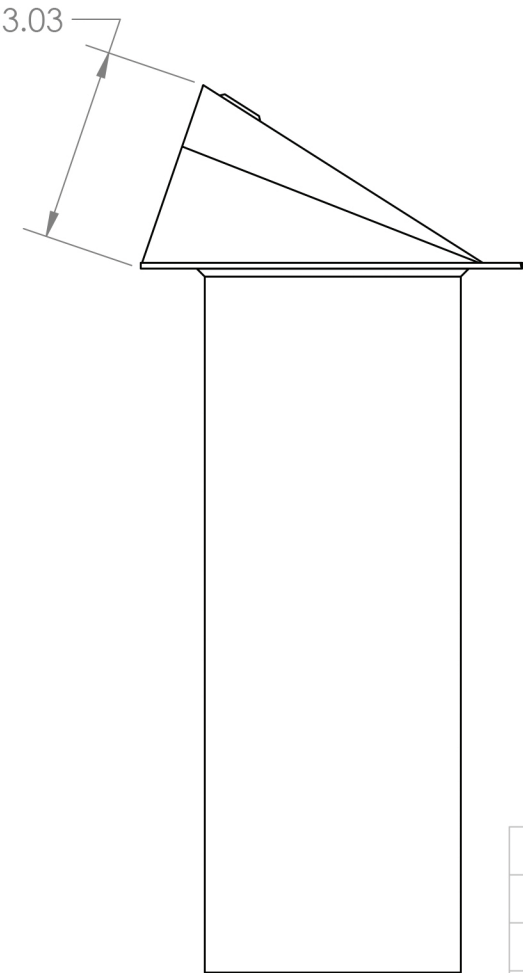
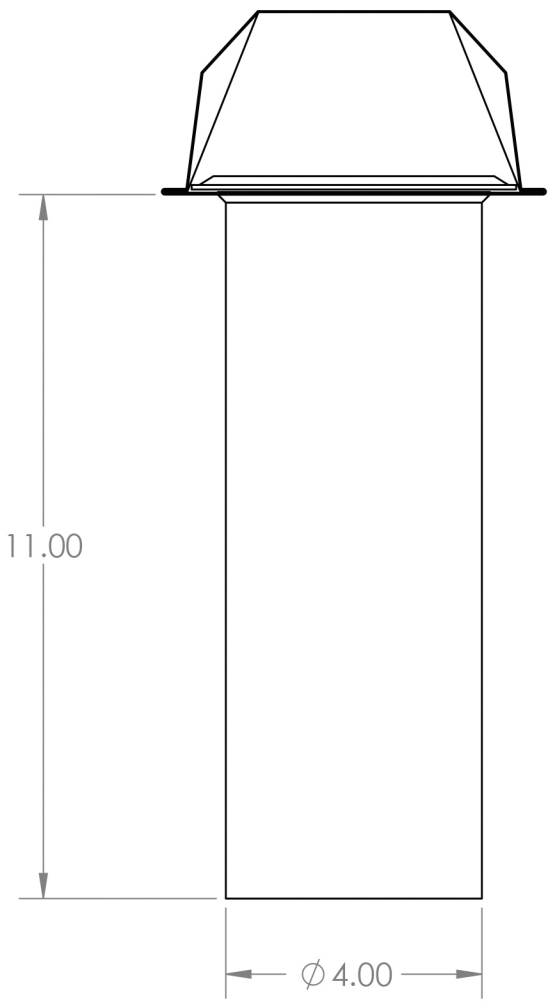
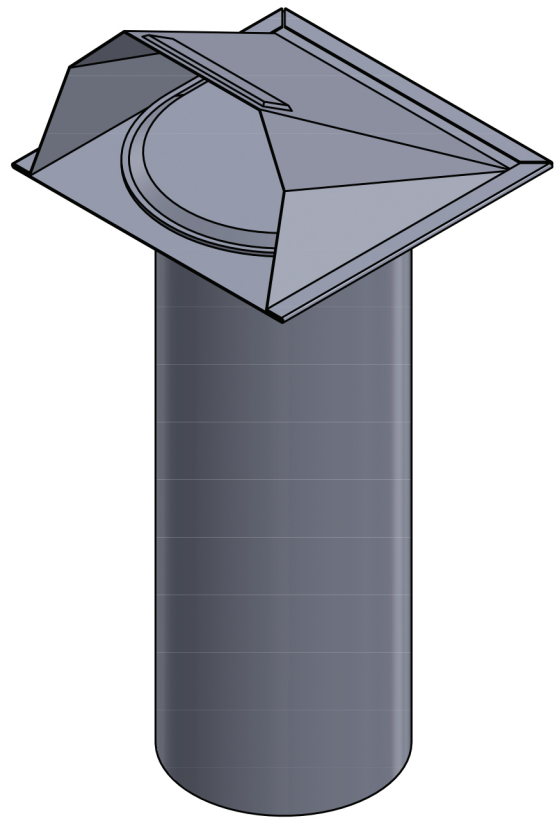
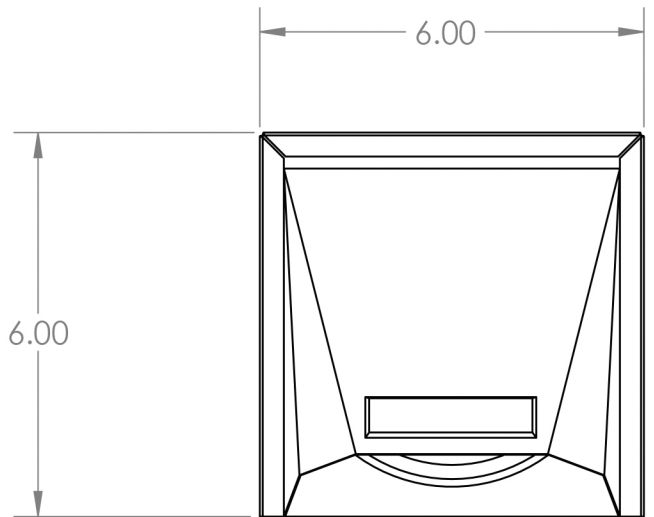


4

3

2

1



B

B

A

A



Lambro Industries, Inc.  
 115 Albany Ave.  
 Amityville, NY 11701  
 (631) 842-8088  
 www.lambro.net

**PROPRIETARY AND CONFIDENTIAL**  
 THE INFORMATION CONTAINED IN THIS DRAWING IS THE SOLE PROPERTY OF LAMBRO. ANY REPRODUCTION IN PART OR AS A WHOLE WITHOUT THE WRITTEN PERMISSION OF LAMBRO IS PROHIBITED.

| UNLESS OTHERWISE SPECIFIED:          |         | NAME                 | DATE |
|--------------------------------------|---------|----------------------|------|
| DIMENSIONS ARE IN INCHES             |         | DRAWN                |      |
| TOLERANCES:                          |         | CHECKED              |      |
| FRACTIONAL ±1/16                     |         | ENG APPR.            |      |
| ANGULAR: MACH ±1 BEND ±.01           |         | MFG APPR.            |      |
| TWO PLACE DECIMAL ±0.01              |         | Q.A.                 |      |
| THREE PLACE DECIMAL ±0.005           |         | COMMENTS:            |      |
| INTERPRET GEOMETRIC TOLERANCING PER: |         | Net Free Area (NFA)  |      |
| MATERIAL                             |         | 13.5 sq. in.         |      |
| FINISH                               |         |                      |      |
| NEXT ASSY                            | USED ON |                      |      |
| APPLICATION                          |         | DO NOT SCALE DRAWING |      |

**TITLE:** 4" Aluminum Wall Exhaust Hood Vent Damper - 11" Pipe  
 Cover, Damper & Base: 26 Gauge  
 Pipe: 30 Gauge

|            |            |              |
|------------|------------|--------------|
| SIZE       | DWG. NO.   | REV          |
| <b>B</b>   | <b>544</b> |              |
| SCALE: 1:3 | WEIGHT:    | SHEET 1 OF 1 |

4

3

2

1