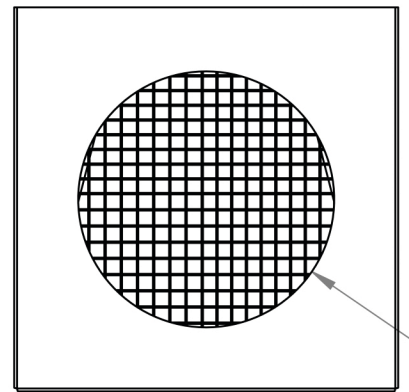
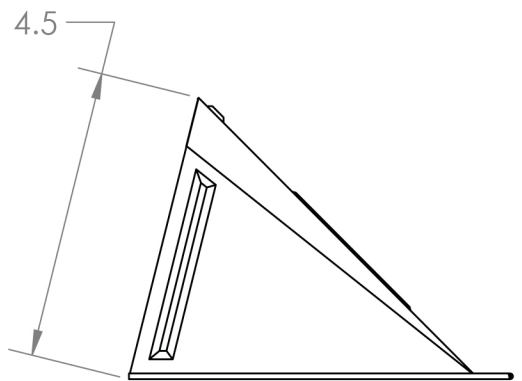
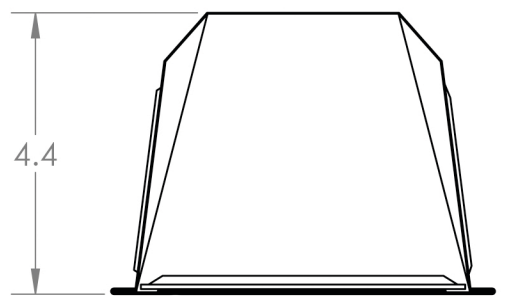
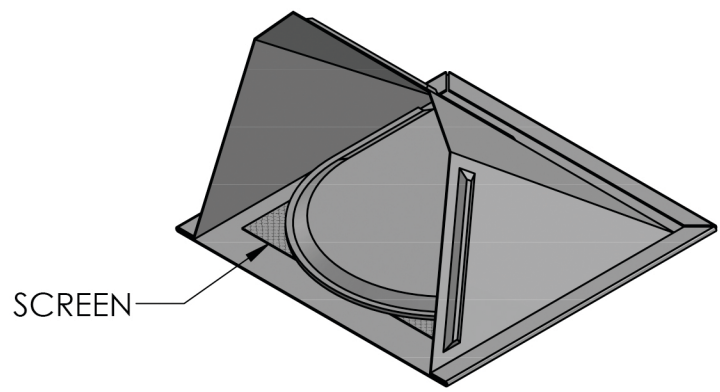
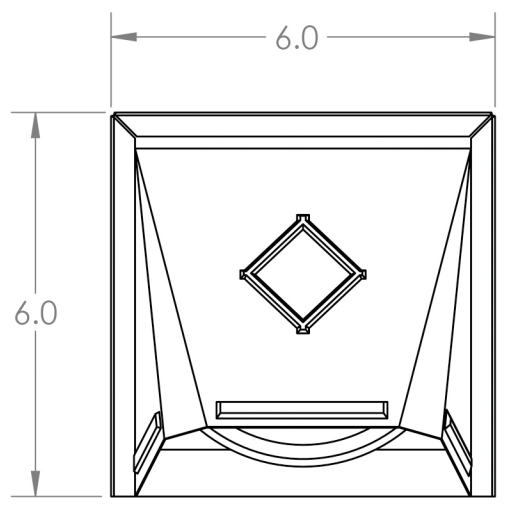


4

3

2

1



Ø 4.0



Lambro Industries, Inc.
 115 Albany Ave.
 Amityville, NY 11701
 (631) 842-8088
 www.lambro.net

PROPRIETARY AND CONFIDENTIAL
 THE INFORMATION CONTAINED IN THIS DRAWING IS THE SOLE PROPERTY OF LAMBRO. ANY REPRODUCTION IN PART OR AS A WHOLE WITHOUT THE WRITTEN PERMISSION OF LAMBRO IS PROHIBITED.

		UNLESS OTHERWISE SPECIFIED:	NAME	DATE
		DIMENSIONS ARE IN INCHES	DRAWN	
		TOLERANCES:	CHECKED	
		FRACTIONAL ±1/16	ENG APPR.	
		ANGULAR: MACH ±1 BEND ±.01	MFG APPR.	
		TWO PLACE DECIMAL ±0.01	Q.A.	
		THREE PLACE DECIMAL ±0.005	COMMENTS:	
		INTERPRET GEOMETRIC TOLERANCING PER:	Net Free Area (NFA)	
		MATERIAL	Without Screen: 20.5 sq. in.	
		FINISH	With Screen: 8 sq. in.	
NEXT ASSY	USED ON	APPLICATION	DO NOT SCALE DRAWING	

TITLE: 4" Paint Grade Steel Wall Exhaust Hood Vent
 Damper - 1/8" Bug Screen - Flush Mount
 Cover, Base & Damper: 26 Gauge

SIZE DWG. NO.
B 34400GSNT-PG

SCALE: 1:3 WEIGHT: SHEET 1 OF 1

4

3

2

1

B

B

A

A