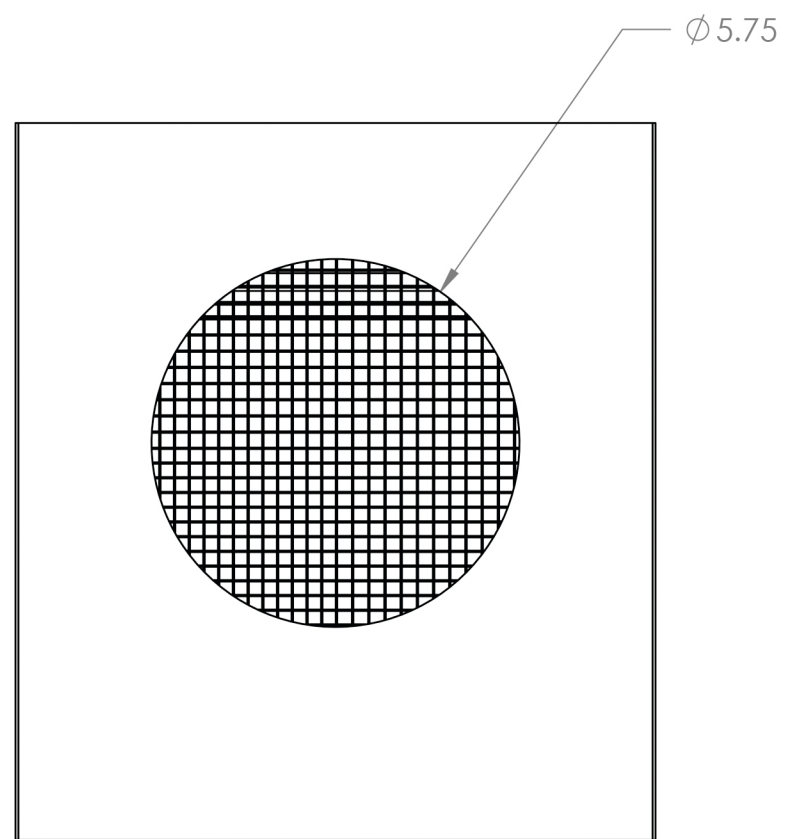
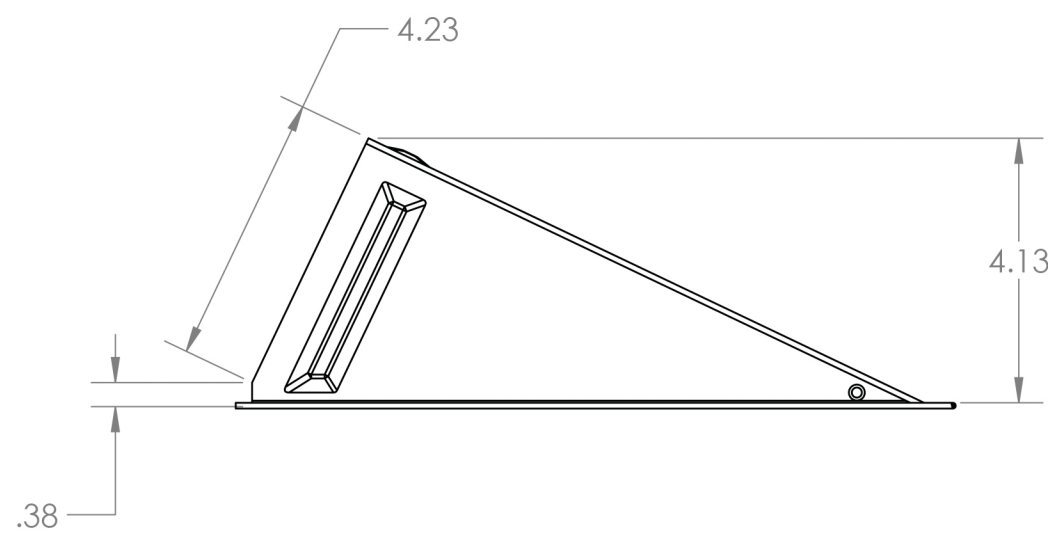
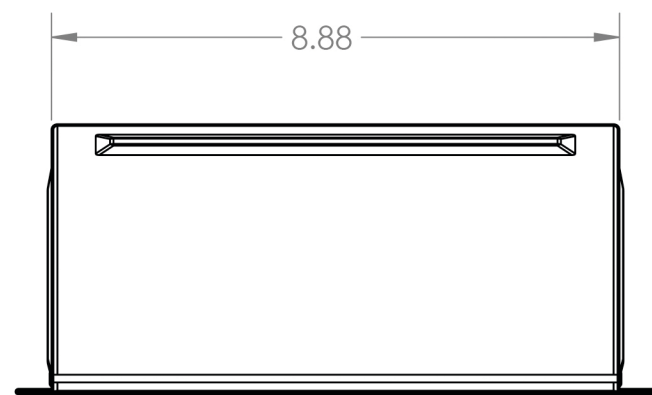
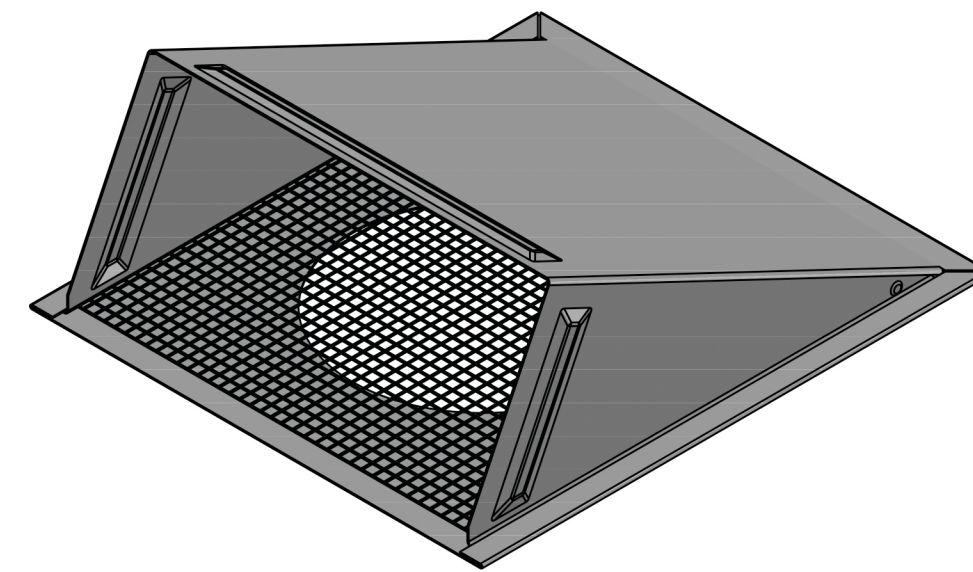
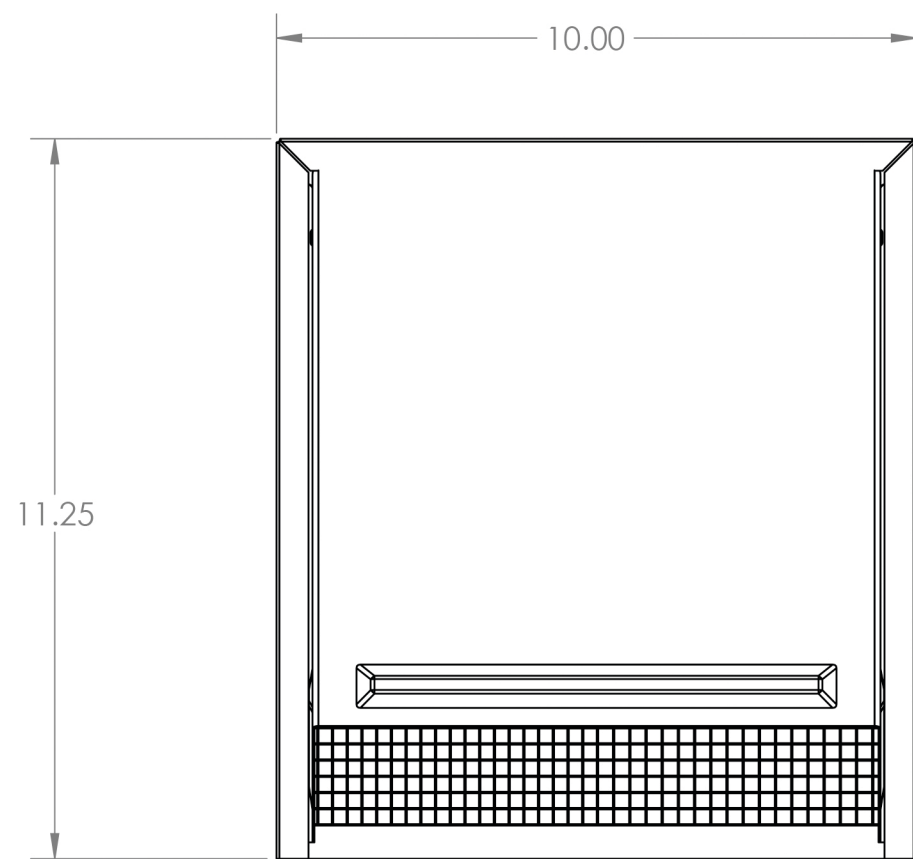


4

3

2

1



PROPRIETARY AND CONFIDENTIAL
 THE INFORMATION CONTAINED IN THIS DRAWING IS THE SOLE PROPERTY OF LAMBRO. ANY REPRODUCTION IN PART OR AS A WHOLE WITHOUT THE WRITTEN PERMISSION OF LAMBRO IS PROHIBITED.

UNLESS OTHERWISE SPECIFIED:		NAME	DATE
DIMENSIONS ARE IN INCHES		DRAWN	
TOLERANCES:		CHECKED	
FRACTIONAL $\pm 1/16$		ENG APPR.	
ANGULAR: MACH ± 1 BEND $\pm .01$		MFG APPR.	
TWO PLACE DECIMAL ± 0.01		Q.A.	
THREE PLACE DECIMAL ± 0.005		COMMENTS:	
INTERPRET GEOMETRIC TOLERANCING PER:		Net Free Area (NFA)	
MATERIAL		Mouth Opening: 40 sq. in.	
FINISH		Opening with Screen: 15 sq. in.	
NEXT ASSY	USED ON	SCALE: 1:3	WEIGHT:
APPLICATION		DO NOT SCALE DRAWING	

LAMBRO Lambro Industries, Inc.
 115 Albany Ave.
 Amityville, NY 11701
 (631) 842-8088
 www.lambro.net

TITLE: 6" Galvanized Fresh Air Intake Vent
 1/4" Wire Mesh Screen - Flush Mount
 Cover, Base & Damper: 26 Gauge

SIZE DWG. NO.
C 3460GNDMSNT

SHEET 1 OF 1

4

3

2

1

D

D

C

C

B

B

A

A