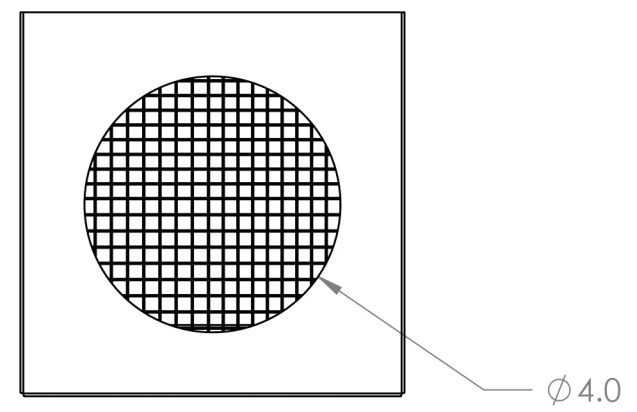
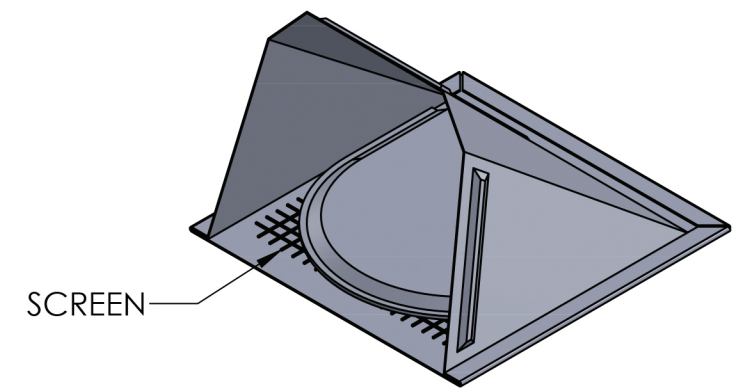
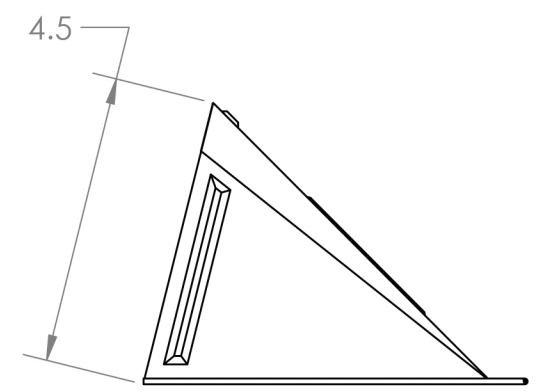
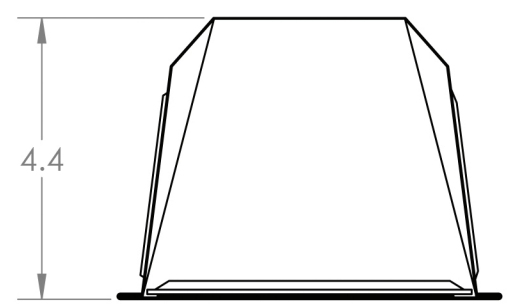
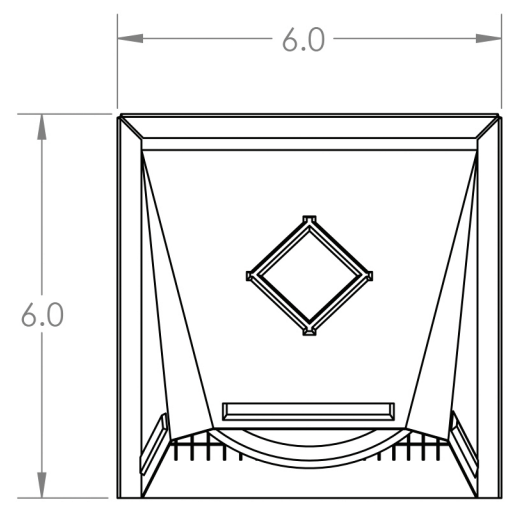


4

3

2

1



Lambro Industries, Inc.
 115 Albany Ave.
 Amityville, NY 11701
 (631) 842-8088
 www.lambro.net



PROPRIETARY AND CONFIDENTIAL
 THE INFORMATION CONTAINED IN THIS DRAWING IS THE SOLE PROPERTY OF LAMBRO. ANY REPRODUCTION IN PART OR AS A WHOLE WITHOUT THE WRITTEN PERMISSION OF LAMBRO IS PROHIBITED.

		UNLESS OTHERWISE SPECIFIED:	NAME	DATE
		DIMENSIONS ARE IN INCHES	DRAWN	
		TOLERANCES:	CHECKED	
		FRACTIONAL ± 1/16	ENG APPR.	
		ANGULAR: MACH ± 1 BEND ± 0.01	MFG APPR.	
		TWO PLACE DECIMAL ± 0.01		
		THREE PLACE DECIMAL ± 0.005		
		INTERPRET GEOMETRIC TOLERANCING PER:	Q.A.	
		MATERIAL	COMMENTS:	
		FINISH	Net Free Area (NFA)	
NEXT ASSY	USED ON		Without Screen: 20.5 sq. in.	
			With Screen: 11 sq. in.	
APPLICATION		DO NOT SCALE DRAWING		

TITLE: 4" Aluminum Wall Exhaust Hood Vent
 Spring Damper - 1/4" Wire Mesh Screen
 Flush Mount
 Cover, Base & Damper: 26 Gauge

SIZE	DWG. NO.	REV
B	34400SPGMSNT	
SCALE: 1:3	WEIGHT:	SHEET 1 OF 1

4

3

2

1

B

B

A

A