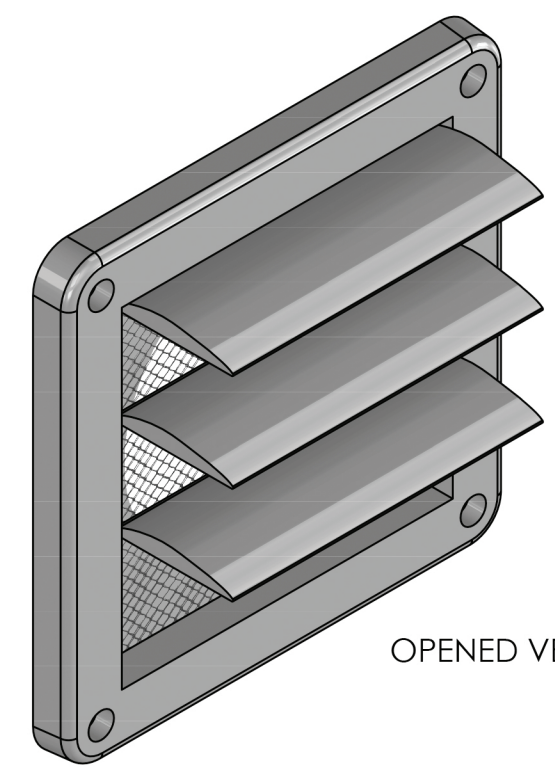
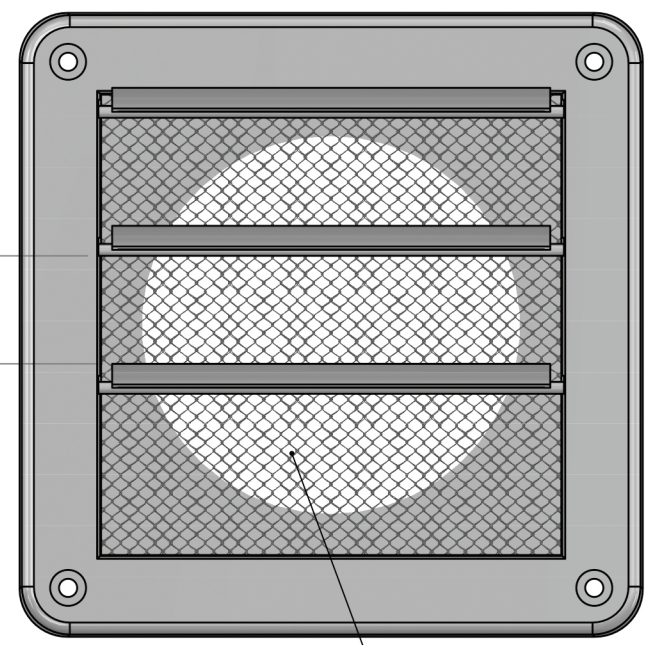
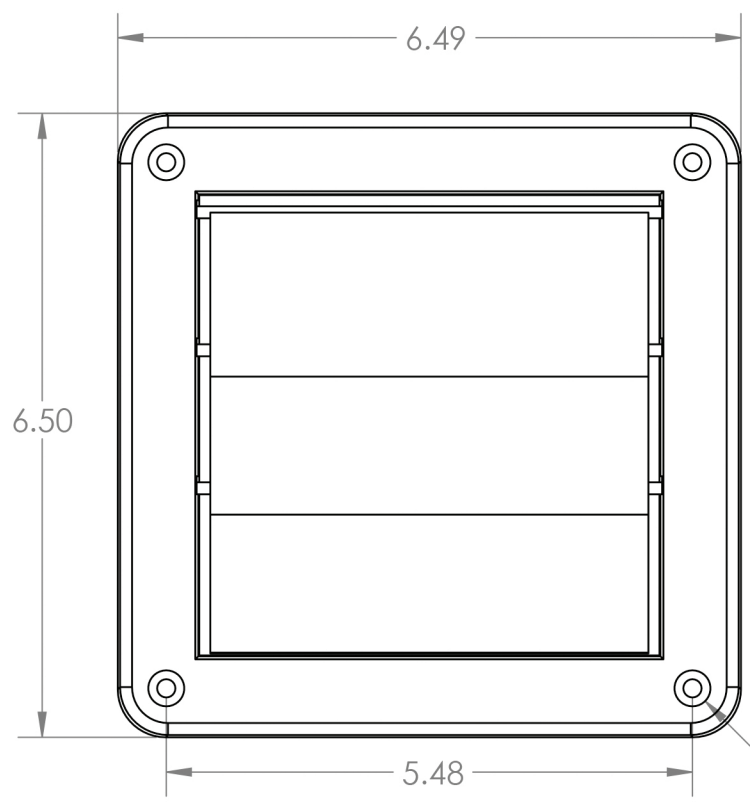


4

3

2

1



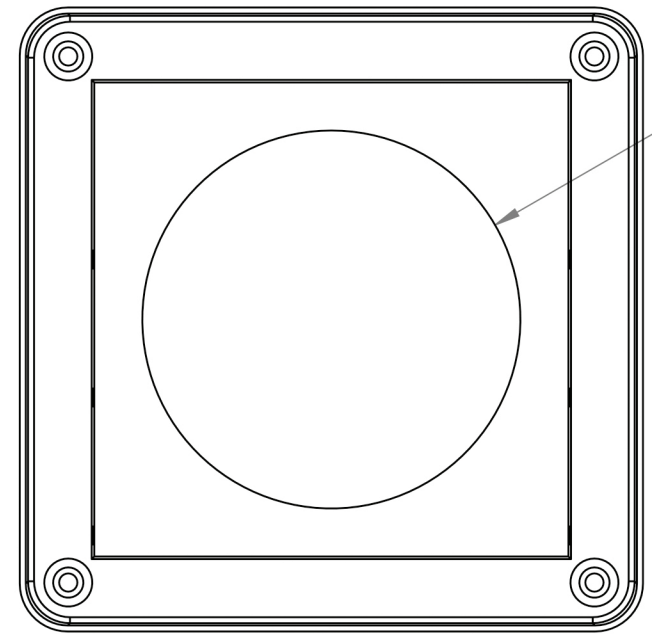
OPENED VENT

4X ϕ .19 THRU ALL
 \square ϕ .38 ∇ .25

EXPANDED METAL COVERING



.50



ϕ 3.94



Lambro Industries, Inc.
 115 Albany Ave.
 Amityville, NY 11701
 (631) 842-8088
 www.lambro.net

PROPRIETARY AND CONFIDENTIAL
 THE INFORMATION CONTAINED IN THIS DRAWING IS THE SOLE PROPERTY OF LAMBRO. ANY REPRODUCTION IN PART OR AS A WHOLE WITHOUT THE WRITTEN PERMISSION OF LAMBRO IS PROHIBITED.

UNLESS OTHERWISE SPECIFIED:		NAME	DATE
DIMENSIONS ARE IN INCHES		DRAWN	
TOLERANCES:		CHECKED	
FRACTIONAL \pm 1/16		ENG APPR.	
ANGULAR: MACH \pm 1 BEND \pm .01		MFG APPR.	
TWO PLACE DECIMAL \pm 0.01		Q.A.	
THREE PLACE DECIMAL \pm 0.005		COMMENTS:	
INTERPRET GEOMETRIC TOLERANCING PER:		Net Free Area (NFA)	
MATERIAL		Without Screen: 16 sq. in.	
FINISH		With Screen: 6.5 sq. in.	
NEXT ASSY	USED ON		
APPLICATION		DO NOT SCALE DRAWING	

TITLE: 4" Plastic Wall Exhaust Vent - Flush Mount (Louvered) - 1/8" Metal Bug Screen

SIZE	DWG. NO.	REV
B	1423WS-NC	

SCALE: 1:2 WEIGHT: SHEET 1 OF 1

4

3

2

1

B

B

A

A