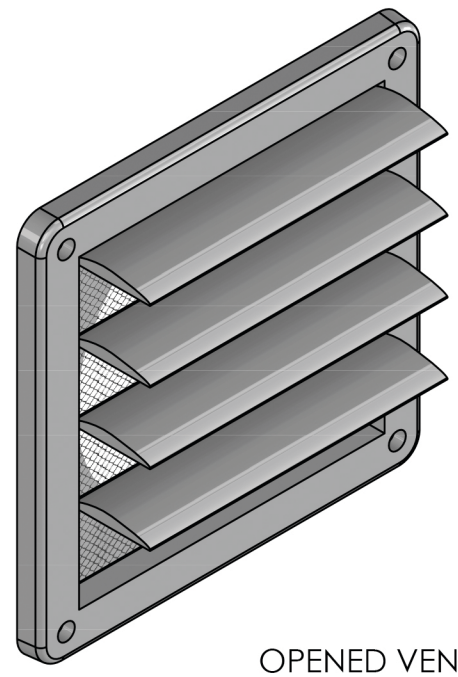
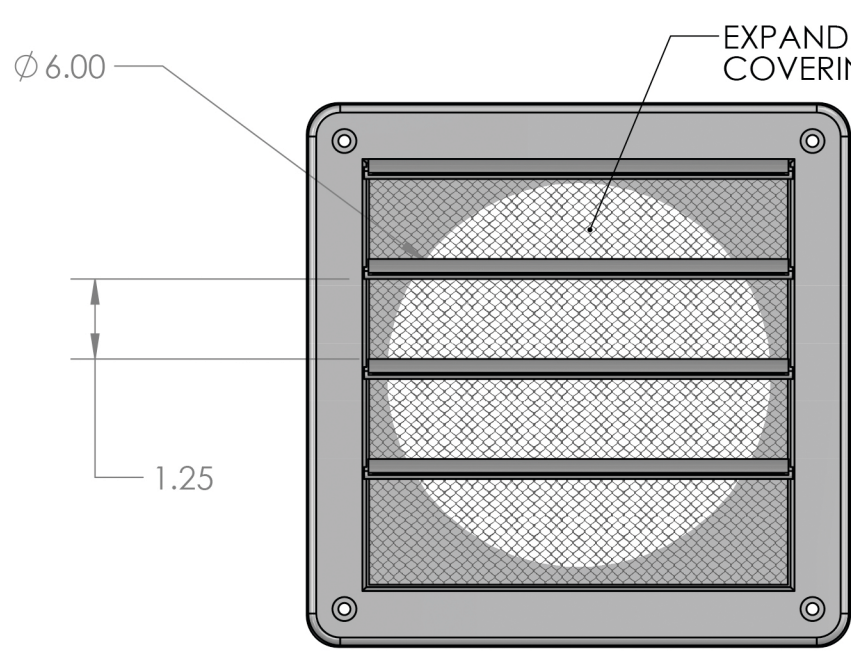
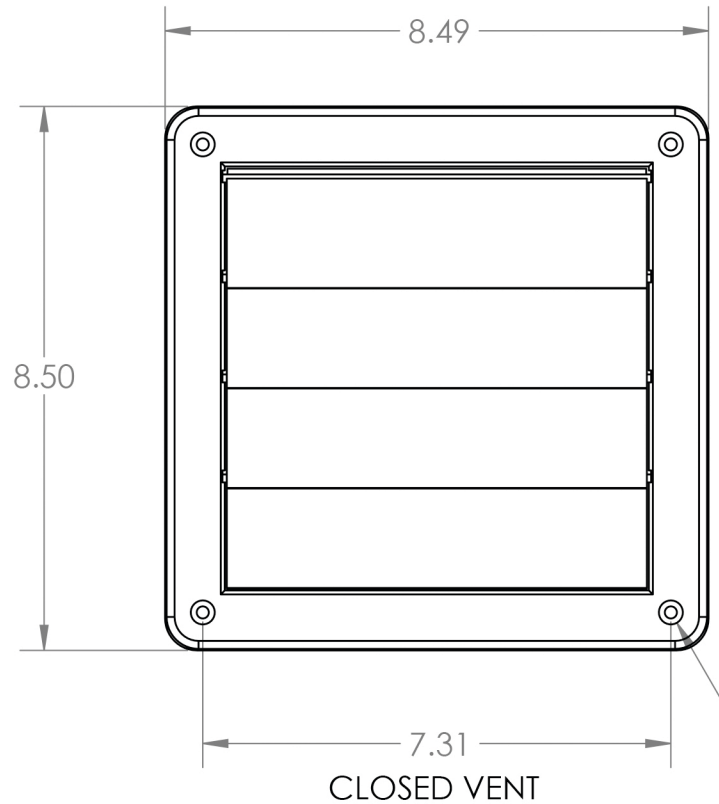


4

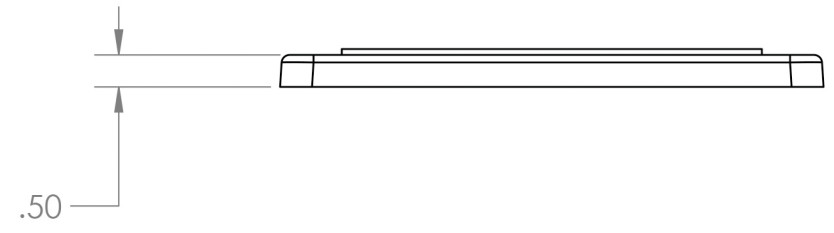
3

2

1



4X Ø .19 THRU ALL  
 □ Ø .38 ▽ .25



Lambro Industries, Inc.  
 115 Albany Ave.  
 Amityville, NY 11701  
 (631) 842-8088  
 www.lambro.net

**PROPRIETARY AND CONFIDENTIAL**  
 THE INFORMATION CONTAINED IN THIS DRAWING IS THE SOLE PROPERTY OF LAMBRO. ANY REPRODUCTION IN PART OR AS A WHOLE WITHOUT THE WRITTEN PERMISSION OF LAMBRO IS PROHIBITED.

		UNLESS OTHERWISE SPECIFIED:	NAME	DATE
		DIMENSIONS ARE IN INCHES	DRAWN	
		TOLERANCES:	CHECKED	
		FRACTIONAL ± 1/16	ENG APPR.	
		ANGULAR: MACH ± 1 BEND ± 0.01	MFG APPR.	
		TWO PLACE DECIMAL ± 0.01	Q.A.	
		THREE PLACE DECIMAL ± 0.005	COMMENTS:	
		INTERPRET GEOMETRIC TOLERANCING PER:	Net Free Area (NFA)	
		MATERIAL	Without Screen: 24 sq. in.	
		FINISH	With Screen: 13 sq. in.	
NEXT ASSY	USED ON			
APPLICATION		DO NOT SCALE DRAWING		

TITLE: 6" Plastic Wall Exhaust Vent - Flush Mount (Louvered) - 1/8" Metal Bug Screen

SIZE DWG. NO. REV  
**B 361WS-NC**

SCALE: 1:3 WEIGHT: SHEET 1 OF 1

4

3

2

1

B

B

A

A