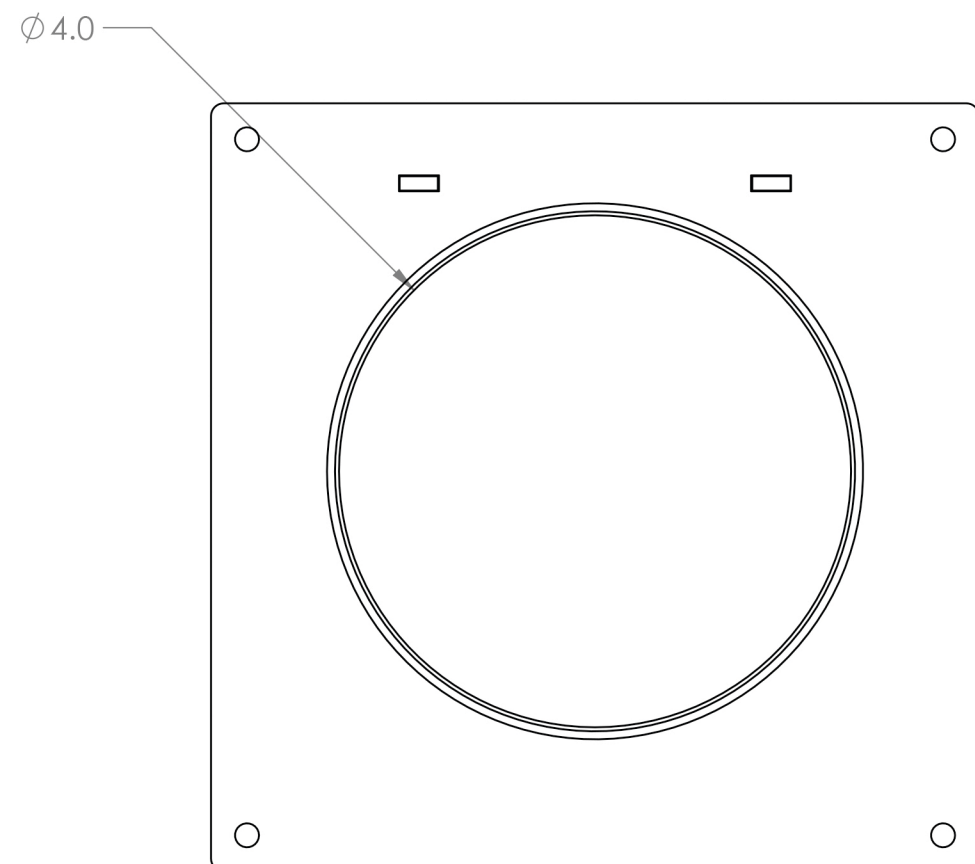
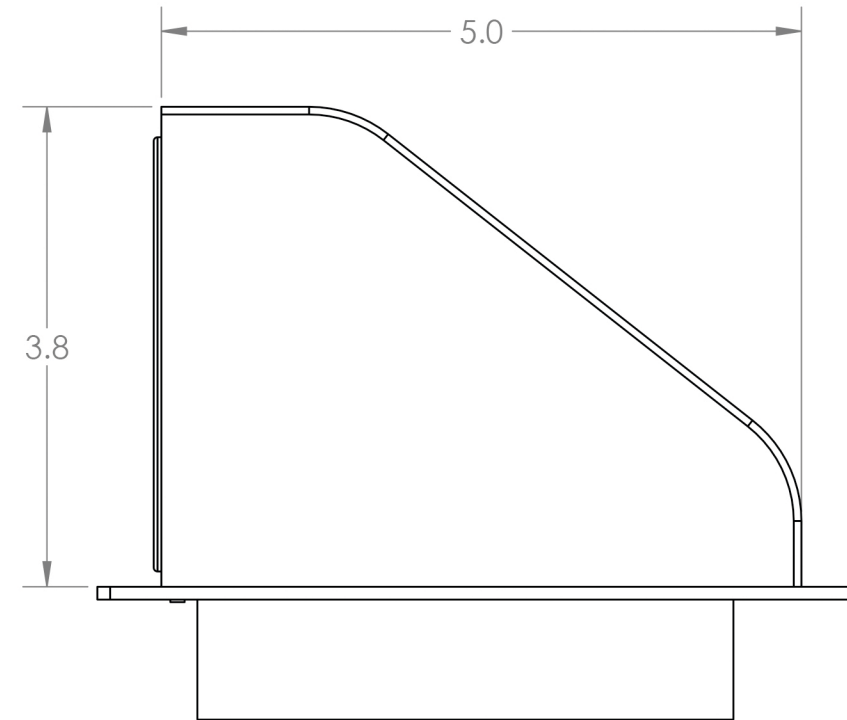
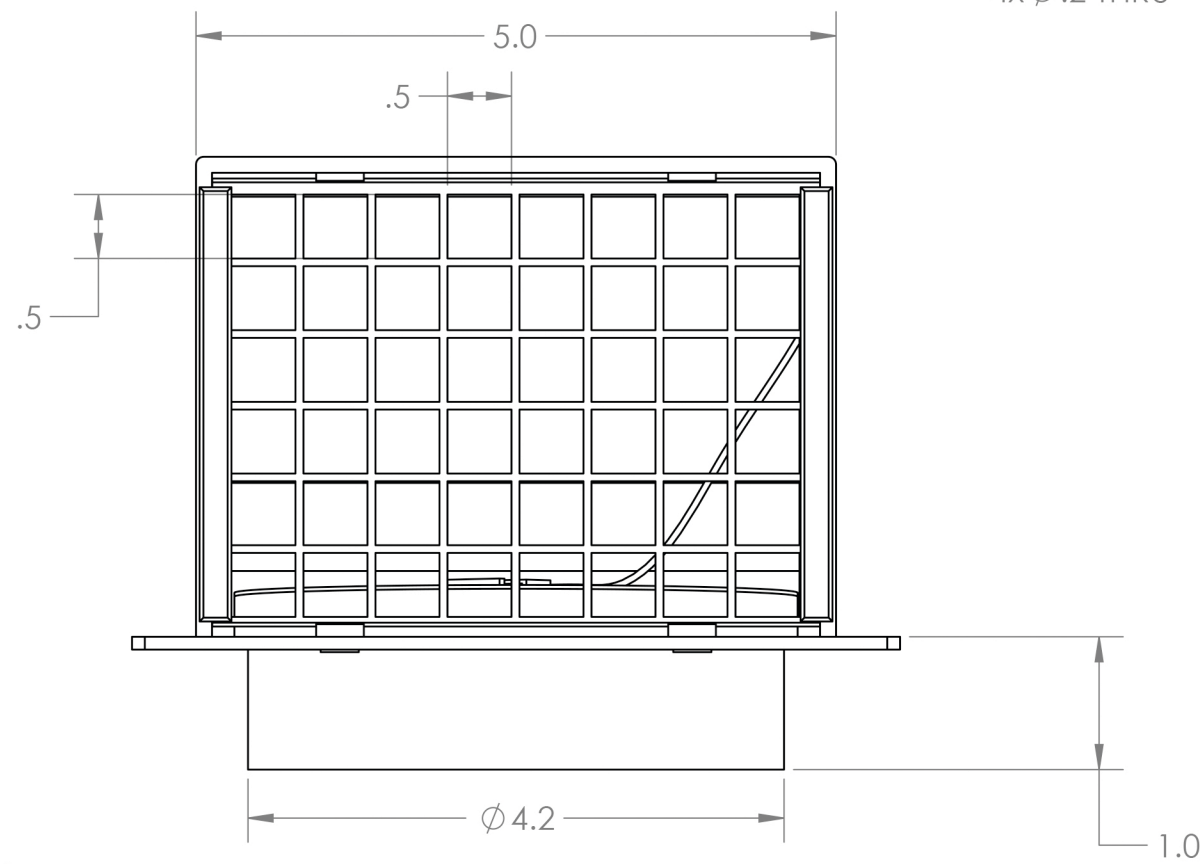
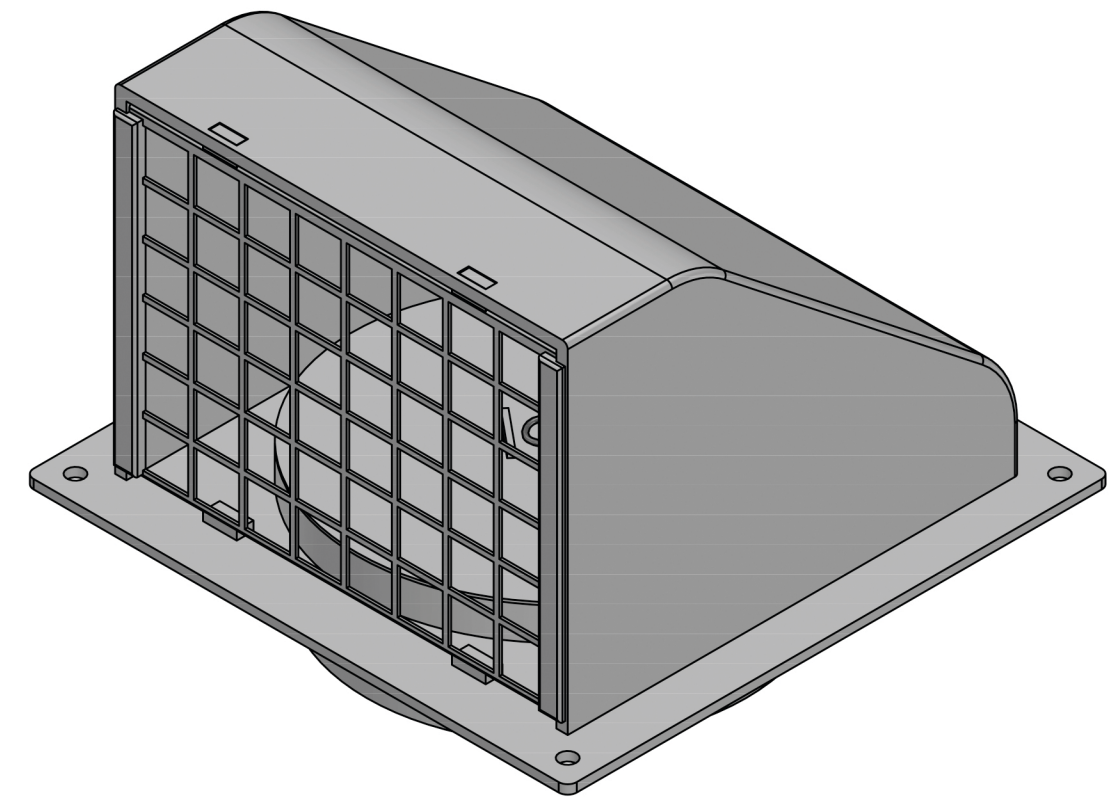
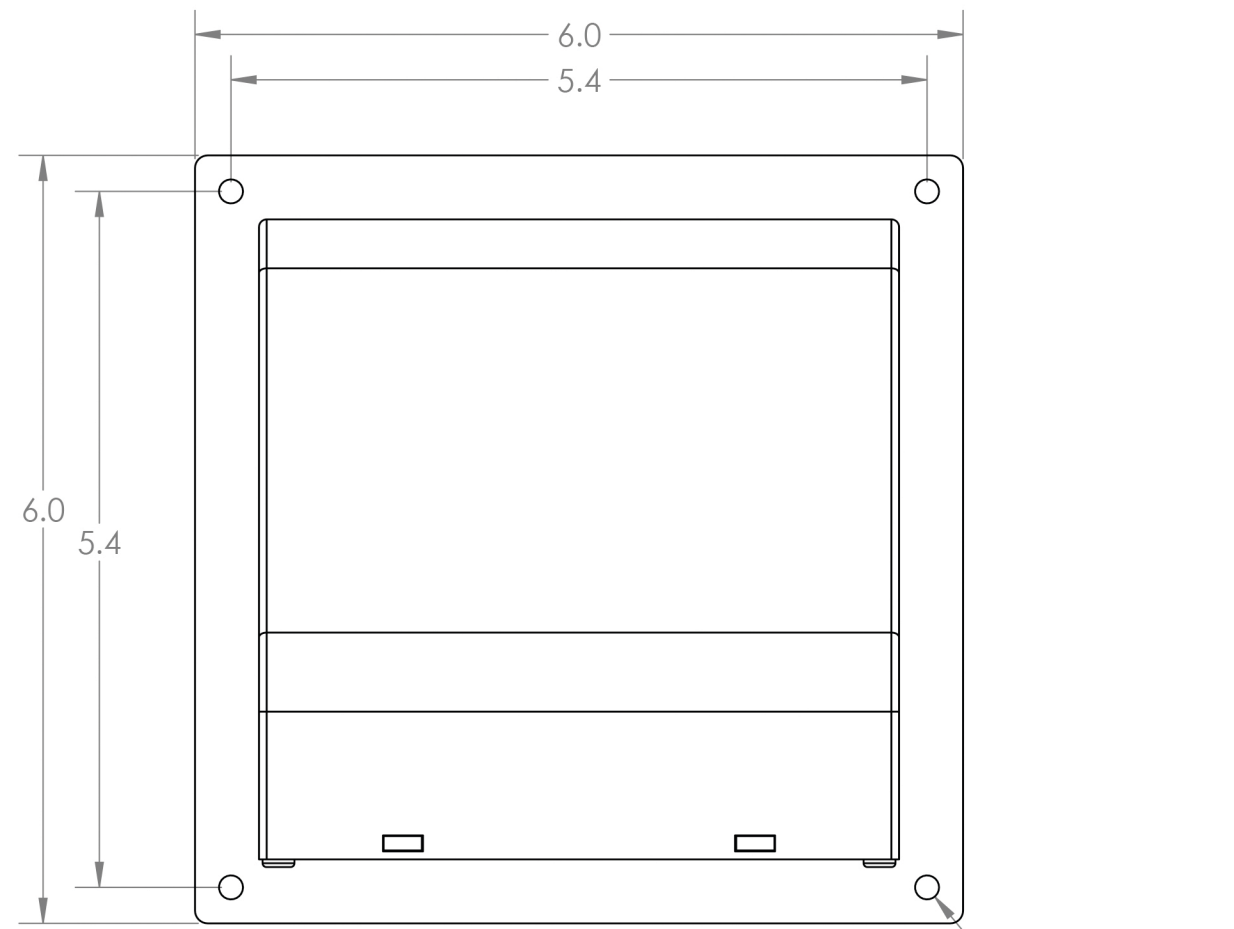


4

3

2

1



LAMBRO Lambro Industries, Inc.
 115 Albany Ave.
 Amityville, NY 11701
 (631) 842-8088
 www.lambro.net

PROPRIETARY AND CONFIDENTIAL
 THE INFORMATION CONTAINED IN THIS DRAWING IS THE SOLE PROPERTY OF LAMBRO. ANY REPRODUCTION IN PART OR AS A WHOLE WITHOUT THE WRITTEN PERMISSION OF LAMBRO IS PROHIBITED.

| UNLESS OTHERWISE SPECIFIED: | | NAME | DATE |
|--------------------------------------|---------|----------------------------|------|
| DIMENSIONS ARE IN INCHES | | DRAWN | |
| TOLERANCES: | | CHECKED | |
| FRACTIONAL ± 1/16 | | ENG APPR. | |
| ANGULAR: MACH ± 1 BEND ± .01 | | MFG APPR. | |
| TWO PLACE DECIMAL ± 0.01 | | Q.A. | |
| THREE PLACE DECIMAL ± 0.005 | | COMMENTS: | |
| INTERPRET GEOMETRIC TOLERANCING PER: | | Net Free Area (NFA) | |
| MATERIAL | | Without Screen: 17 sq. in. | |
| FINISH | | With Screen: 12.5 sq. in. | |
| NEXT ASSY | USED ON | Spring-Controlled Damper | |
| APPLICATION | | DO NOT SCALE DRAWING | |

| | | |
|--|--------------|--------------|
| TITLE: 4" Plastic Wall Exhaust Hood Vent Spring-Controlled Damper Removable Screen - 1" Collar | | |
| Made of polymer resin material with UV inhibitor used to help prevent the premature fading of vent | | |
| SIZE | DWG. NO. | REV |
| C | 1471W-FF-SPG | |
| SCALE: 1:1.5WEIGHT: | | SHEET 1 OF 1 |



4

3

2

1