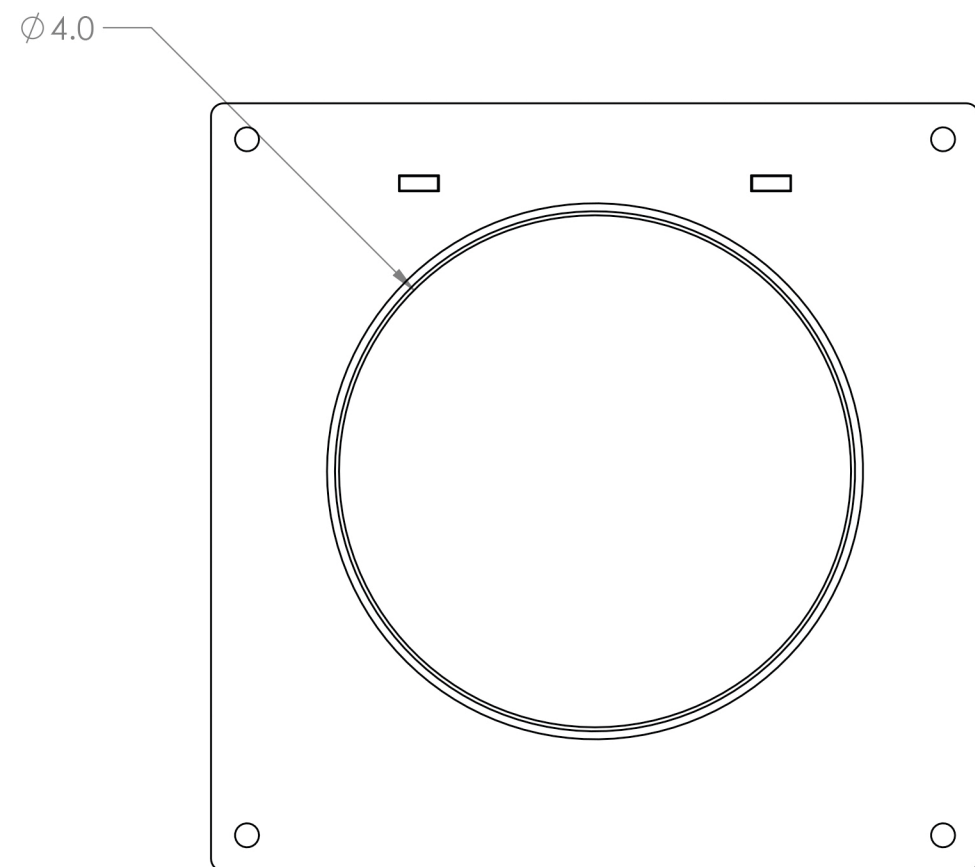
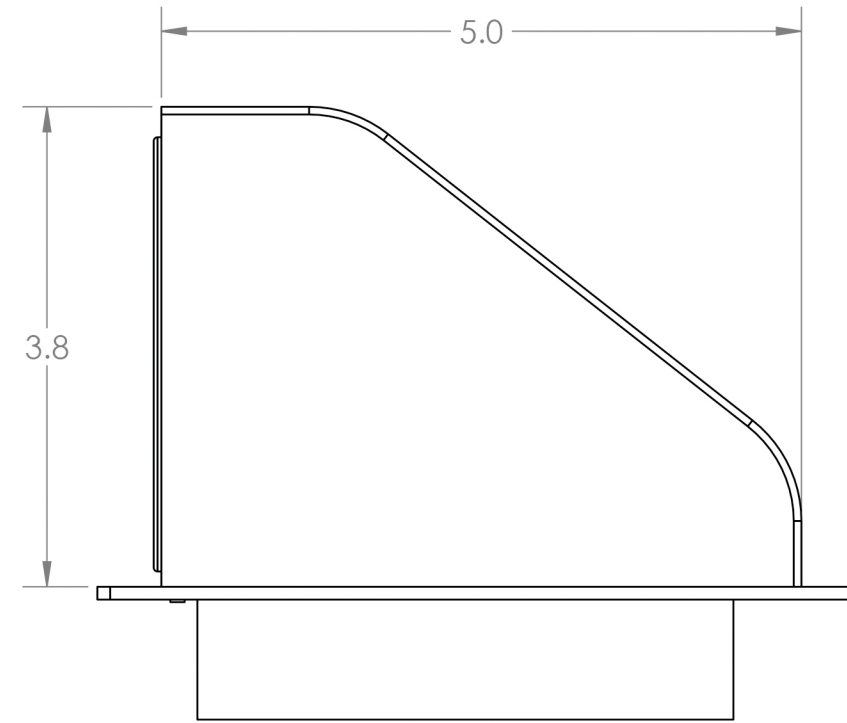
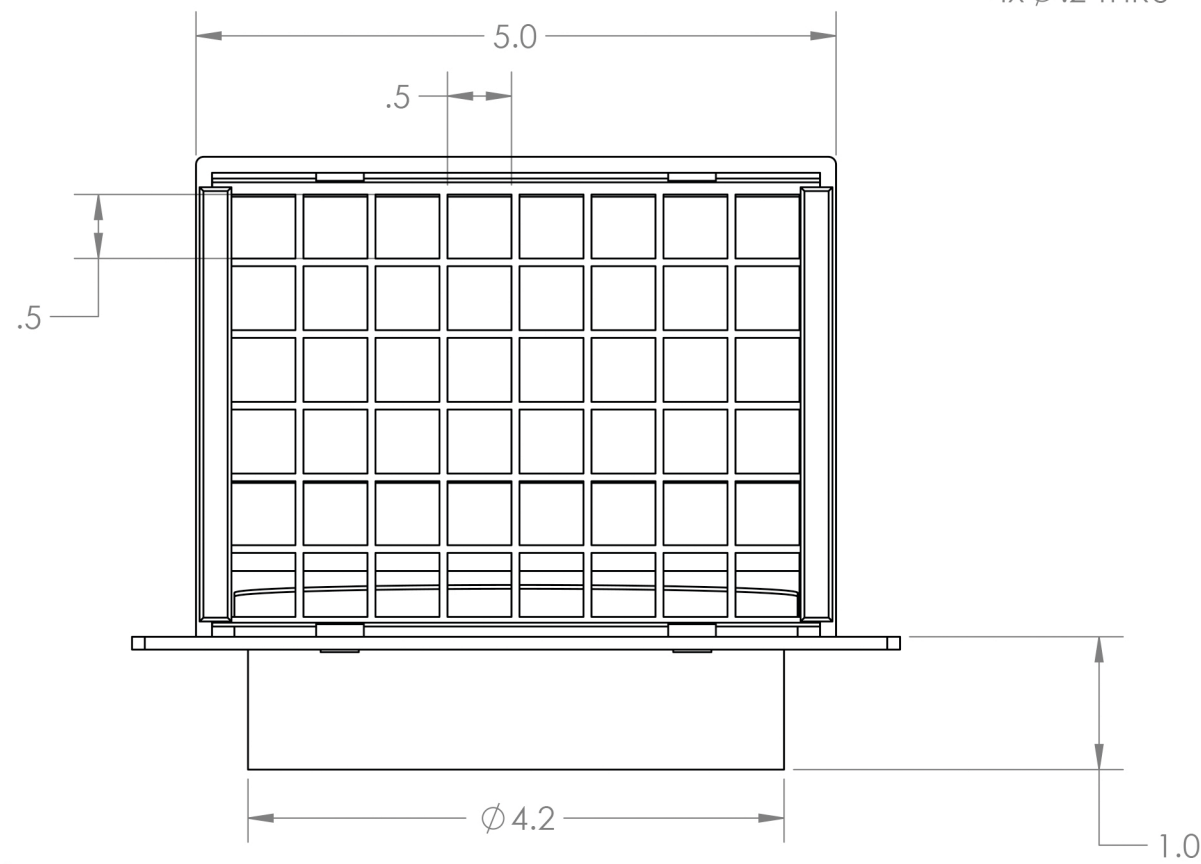
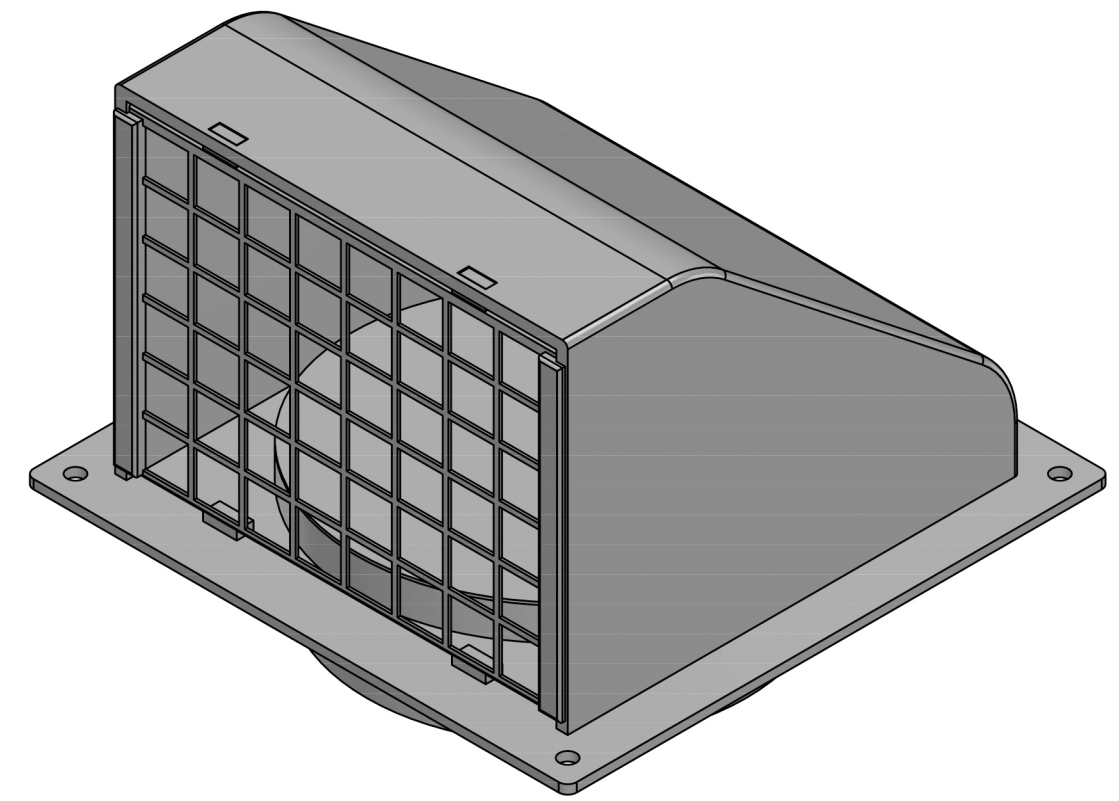
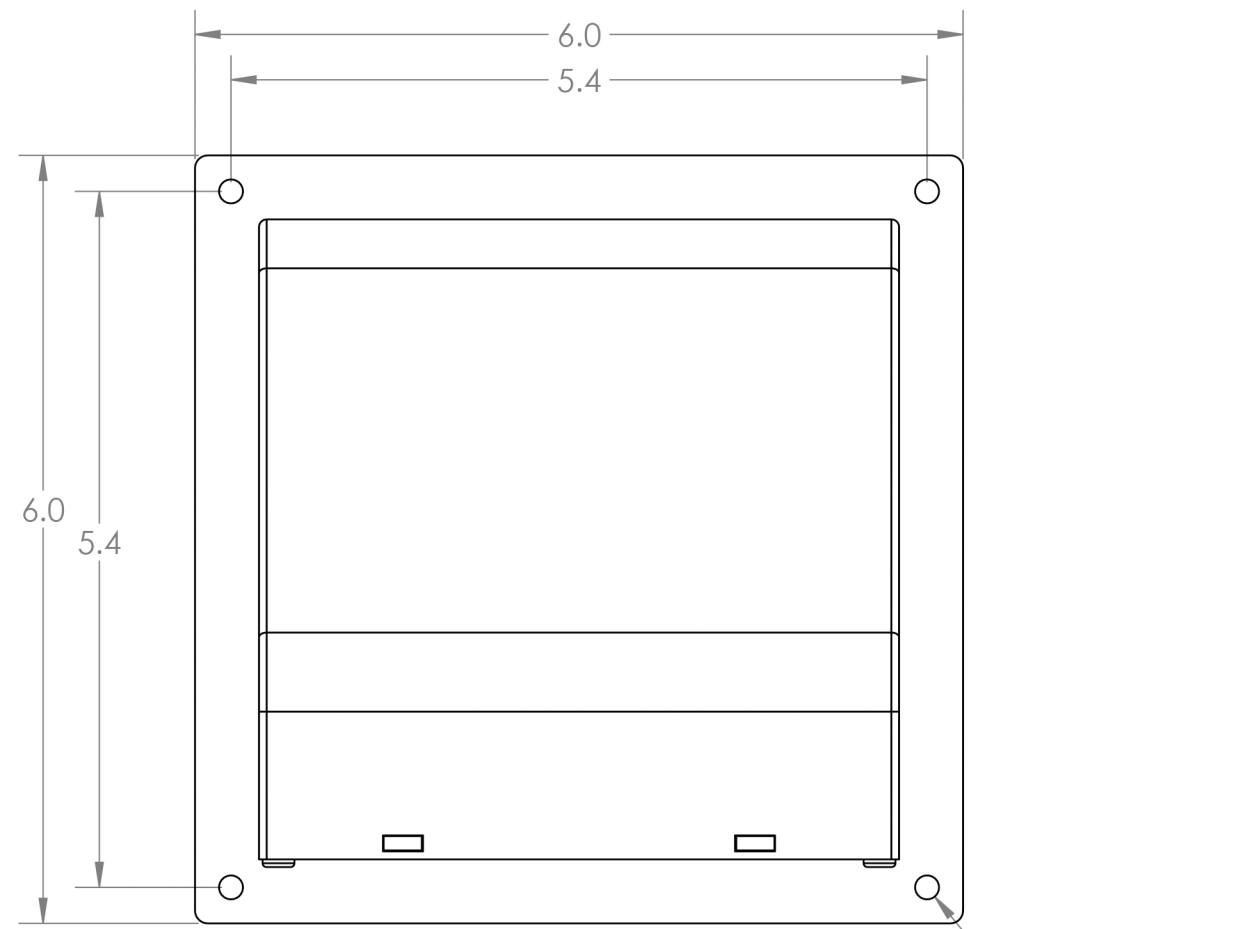


4

3

2

1



LAMBRO Lambro Industries, Inc.
 115 Albany Ave.
 Amityville, NY 11701
 (631) 842-8088
 www.lambro.net

TITLE: 4" Plastic Wall Exhaust Hood Vent
 Damper - Removable Screen - 1" Collar
 Made of polymer resin material with UV inhibitor
 used to help prevent the premature fading of vent

SIZE DWG. NO. REV
C 1471W-FF
 SCALE: 1:1.5WEIGHT: SHEET 1 OF 1

UNLESS OTHERWISE SPECIFIED:		NAME	DATE
DIMENSIONS ARE IN INCHES		DRAWN	
TOLERANCES:		CHECKED	
FRACTIONAL: ±1/16		ENG APPR.	
ANGULAR: MACH: ±1 BEND: ±.01		MFG APPR.	
TWO PLACE DECIMAL: ±0.01		Q.A.	
THREE PLACE DECIMAL: ±0.005		COMMENTS:	
INTERPRET GEOMETRIC TOLERANCING PER:		Net Free Area (NFA)	
MATERIAL		Without Screen: 17 sq. in.	
FINISH		With Screen: 12.5 sq. in.	
NEXT ASSY	USED ON		
APPLICATION			

PROPRIETARY AND CONFIDENTIAL
 THE INFORMATION CONTAINED IN THIS DRAWING IS THE SOLE PROPERTY OF LAMBRO. ANY REPRODUCTION IN PART OR AS A WHOLE WITHOUT THE WRITTEN PERMISSION OF LAMBRO IS PROHIBITED.



4

3

2

1