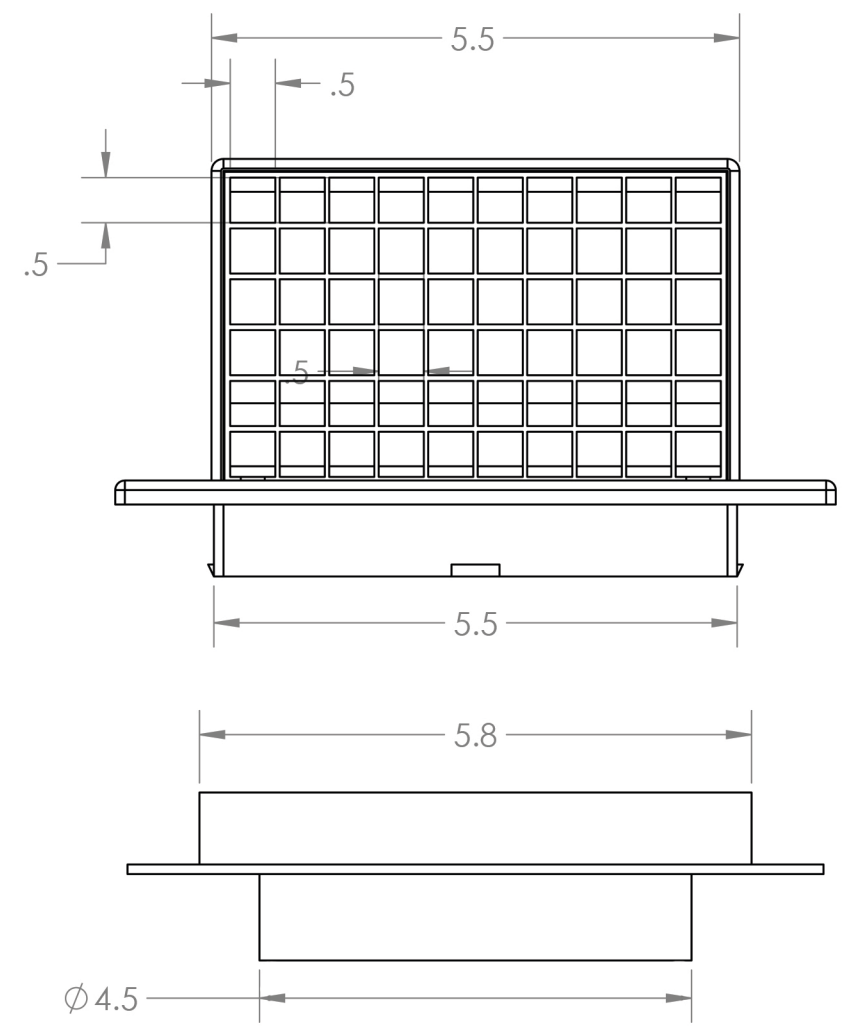
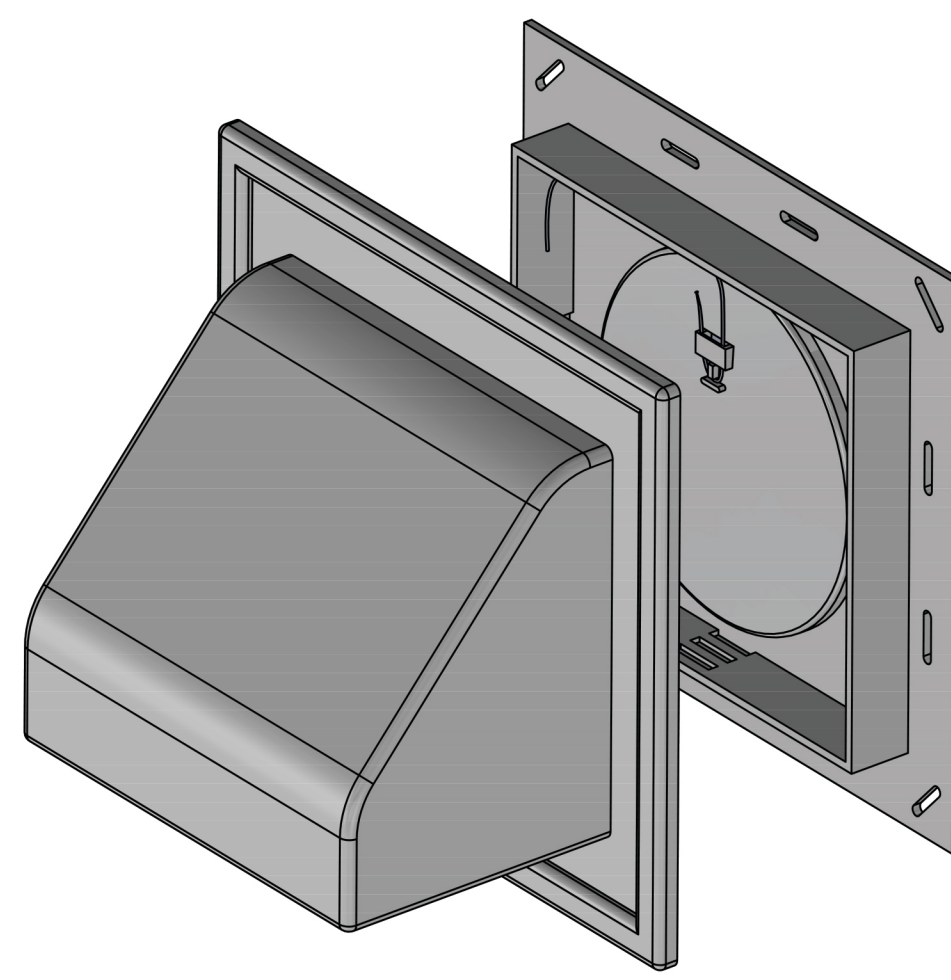
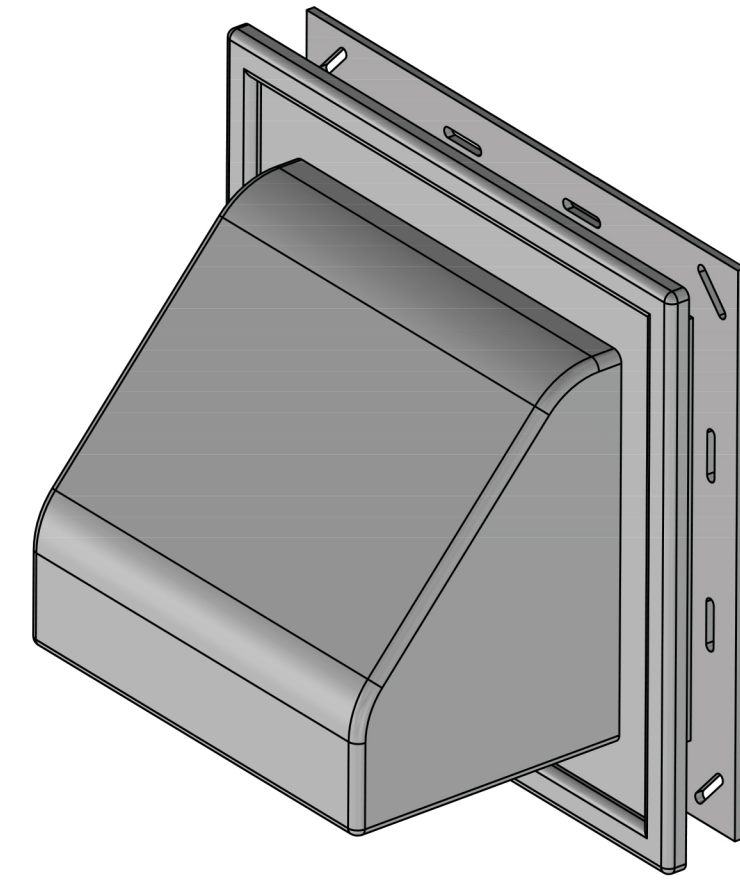
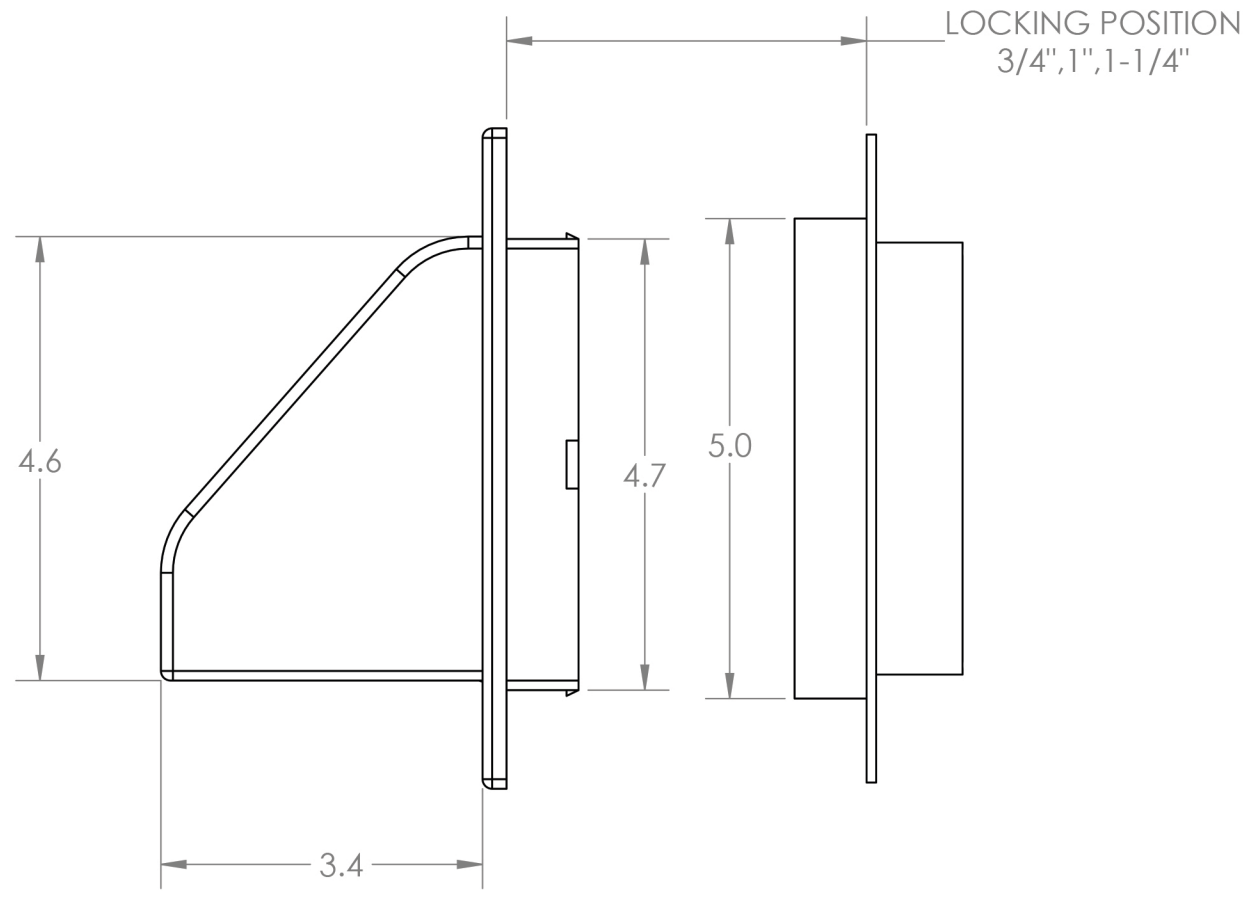
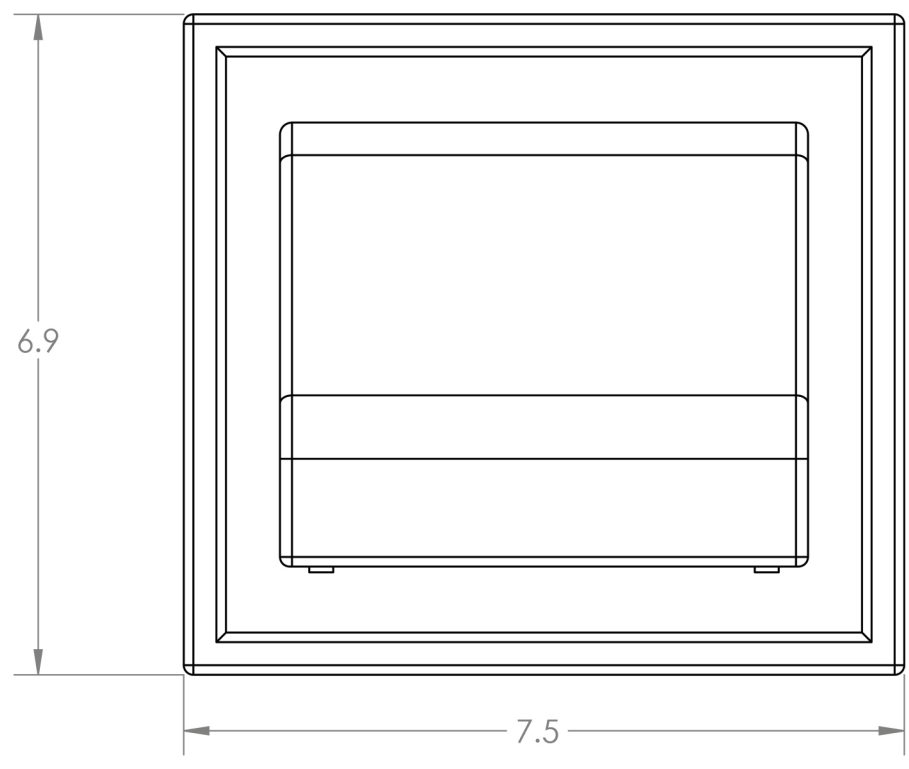


4

3

2

1



LAMBRO Lambro Industries, Inc.
 115 Albany Ave.
 Amityville, NY 11701
 (631) 842-8088
 www.lambro.net

PROPRIETARY AND CONFIDENTIAL
 THE INFORMATION CONTAINED IN THIS DRAWING IS THE SOLE PROPERTY OF LAMBRO. ANY REPRODUCTION IN PART OR AS A WHOLE WITHOUT THE WRITTEN PERMISSION OF LAMBRO IS PROHIBITED.

UNLESS OTHERWISE SPECIFIED:		DRAWN	NAME	DATE
DIMENSIONS ARE IN INCHES		CHECKED		
TOLERANCES:		ENG APPR.		
FRACTIONAL ± 1/16		MFG APPR.		
ANGULAR: MACH ± 1 BEND ± .01		Q.A.		
TWO PLACE DECIMAL ± 0.01		COMMENTS:		
THREE PLACE DECIMAL ± 0.005		Net Free Area (NFA)		
INTERPRET GEOMETRIC TOLERANCING PER:		Without Screen: 18 sq. in.		
MATERIAL		With Screen: 13.3 sq. in.		
FINISH				
NEXT ASSY	USED ON			
APPLICATION				
		DO NOT SCALE DRAWING		

TITLE: 4" Plastic Wall Exhaust Hood Vent
 J-Channel - Spring Damper
 Removable Screen - 1" Collar
 Made of polymer resin material with UV inhibitor used to help prevent the premature fading of vent

SIZE DWG. NO. REV
C 1471W-JC

SCALE: 1:2 WEIGHT: SHEET 1 OF 1



4

3

2

1

D

D

C

C

B

B

A

A