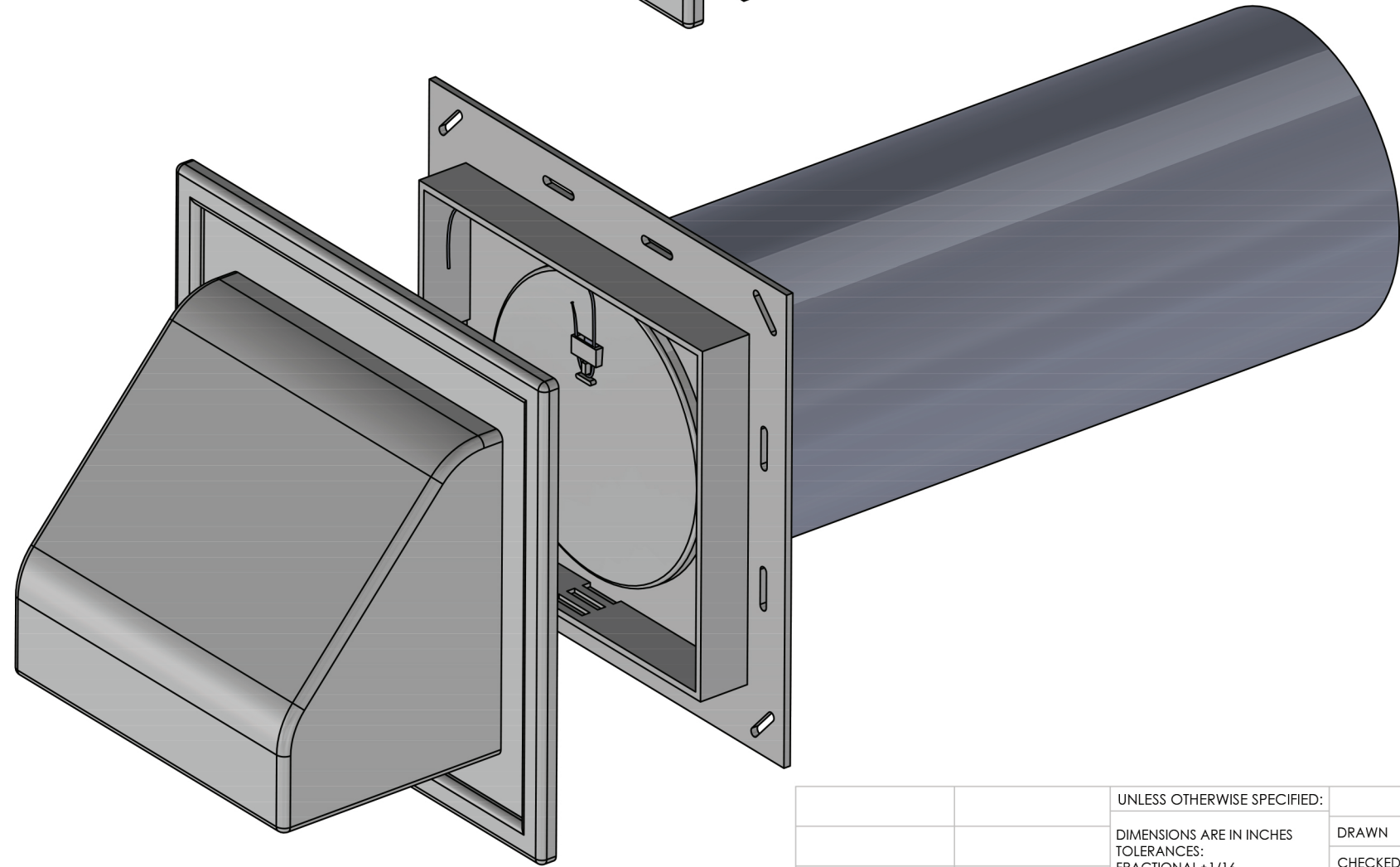
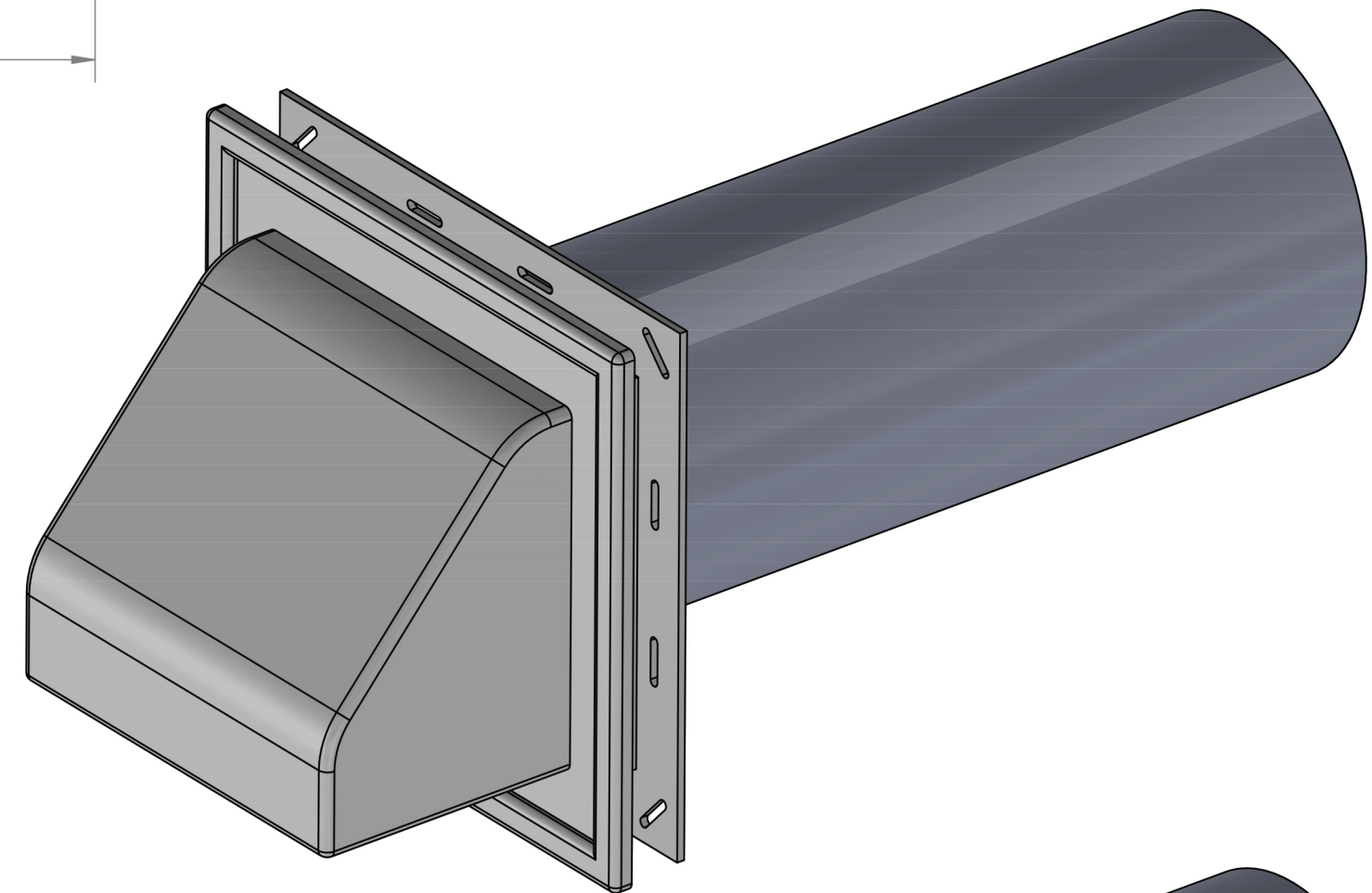
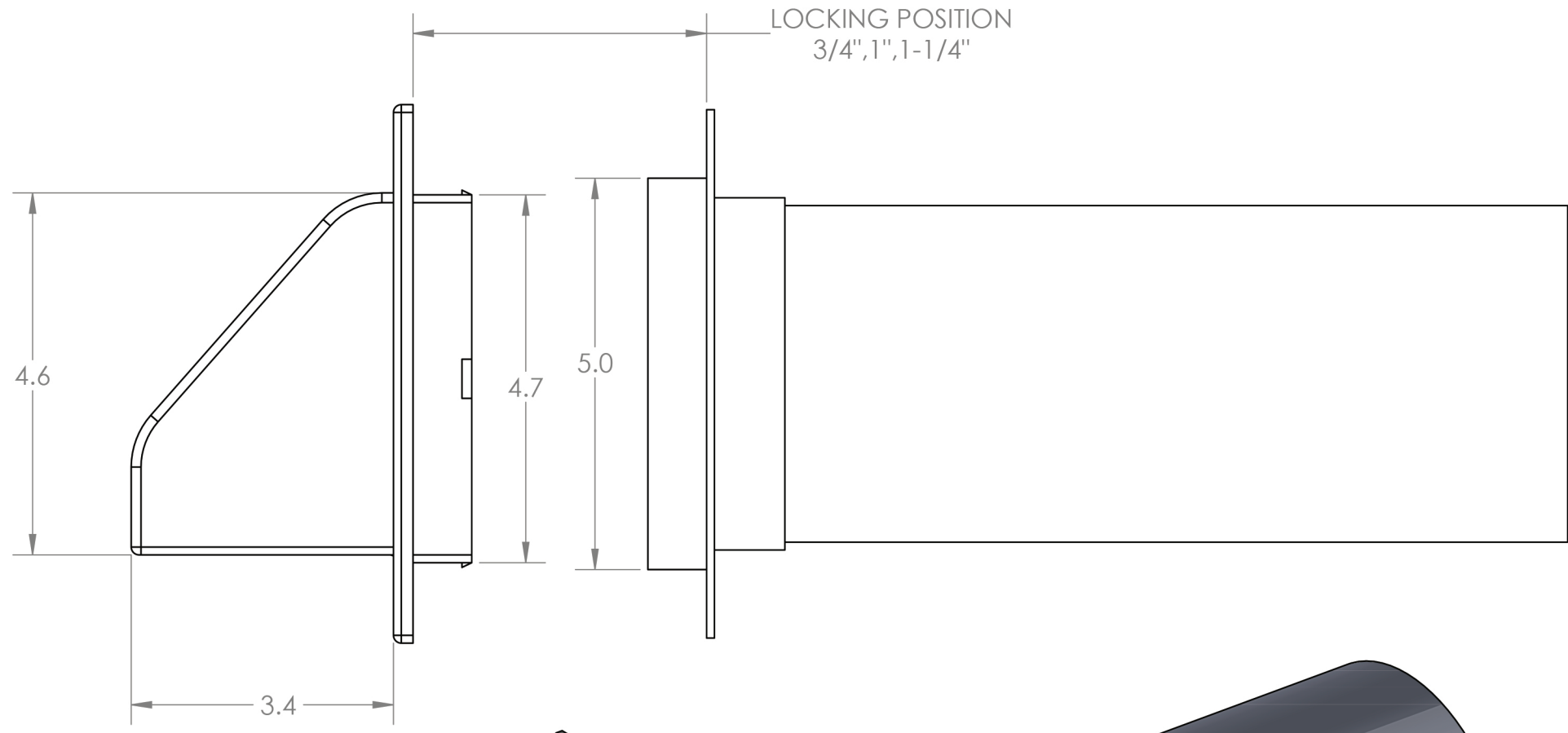
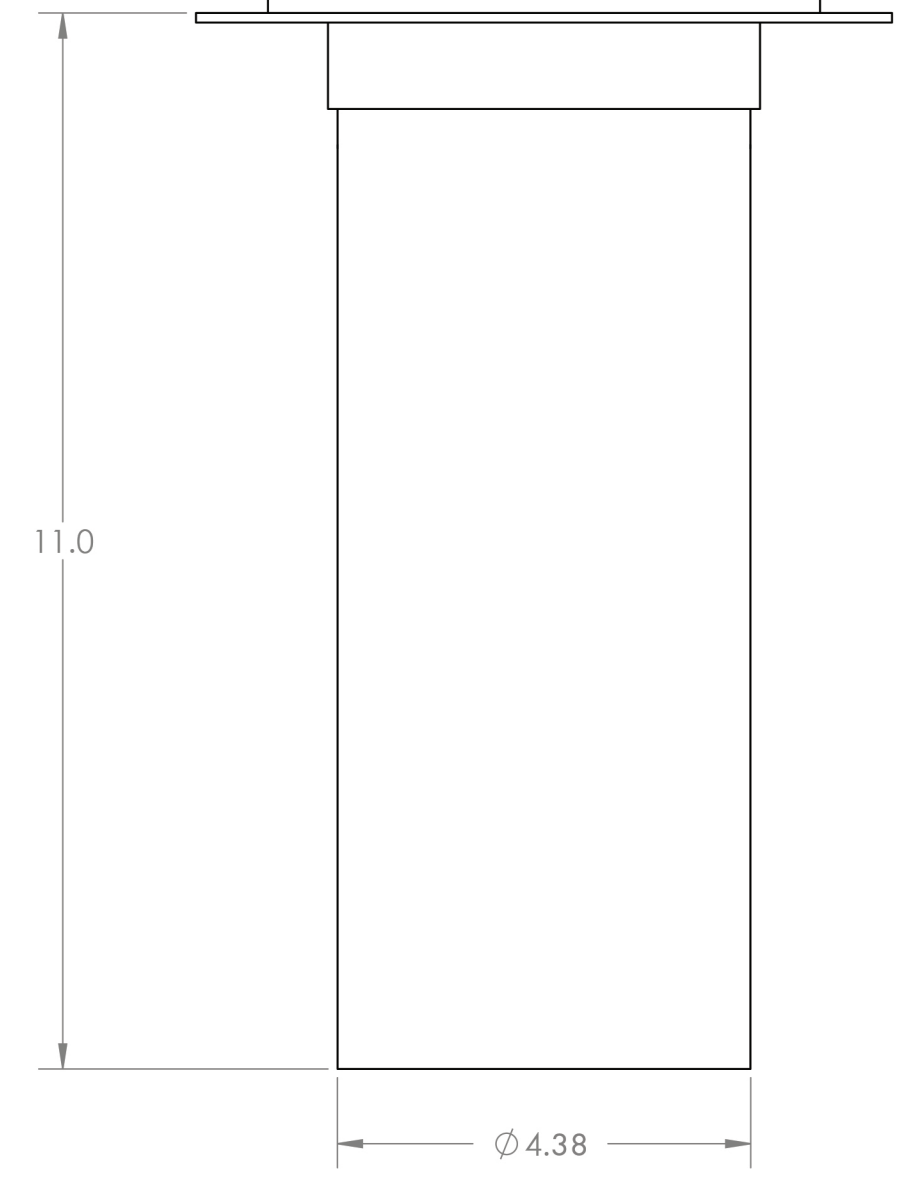
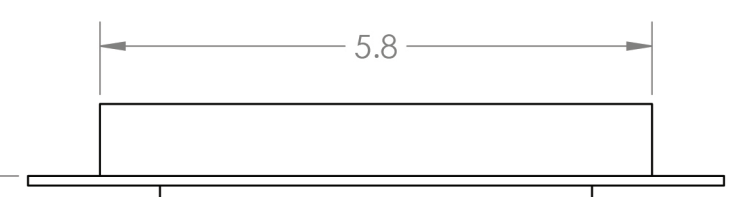
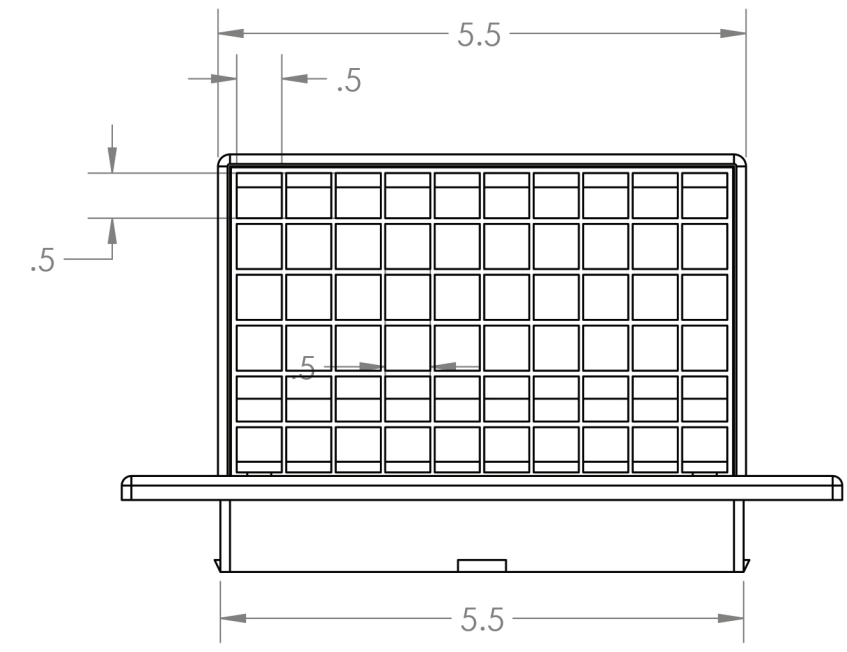
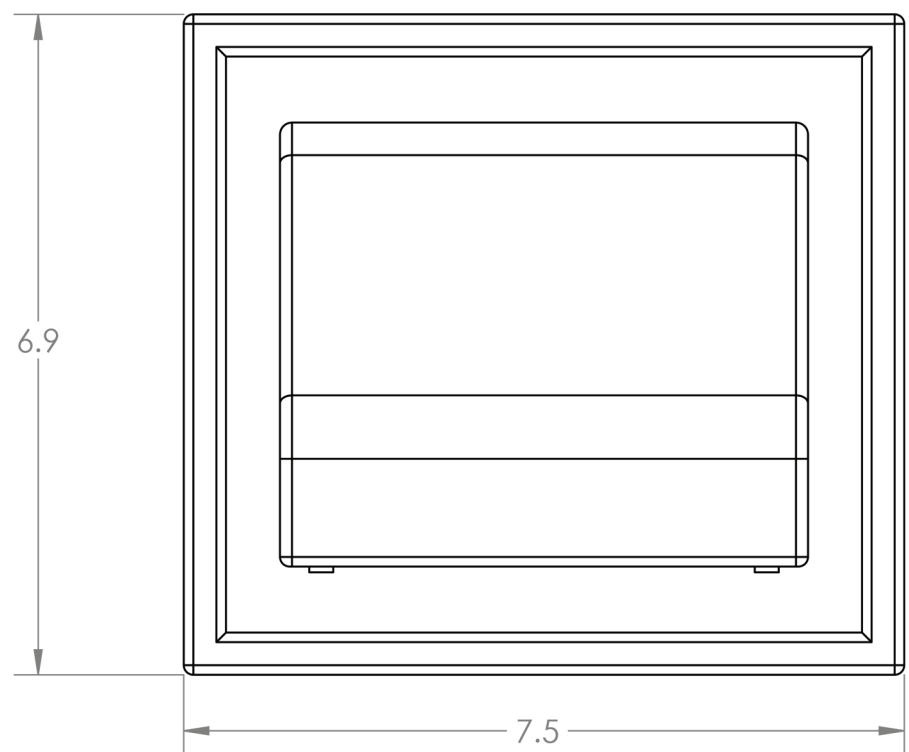


4

3

2

1



**PROPRIETARY AND CONFIDENTIAL**  
 THE INFORMATION CONTAINED IN THIS DRAWING IS THE SOLE PROPERTY OF LAMBRO. ANY REPRODUCTION IN PART OR AS A WHOLE WITHOUT THE WRITTEN PERMISSION OF LAMBRO IS PROHIBITED.

UNLESS OTHERWISE SPECIFIED:		DRAWN	NAME	DATE
DIMENSIONS ARE IN INCHES		CHECKED		
TOLERANCES:		ENG APPR.		
FRACTIONAL: ±1/16		MFG APPR.		
ANGULAR: MACH ± 1 BEND ± .01		Q.A.		
TWO PLACE DECIMAL ±0.01		COMMENTS:		
THREE PLACE DECIMAL ±0.005		Net Free Area (NFA)		
INTERPRET GEOMETRIC TOLERANCING PER:		Without Screen: 18 sq. in.		
MATERIAL		With Screen: 13.3 sq. in.		
FINISH				
NEXT ASSY	USED ON			
APPLICATION				
		DO NOT SCALE DRAWING		

**LAMBRO** Lambro Industries, Inc.  
 115 Albany Ave.  
 Amityville, NY 11701  
 (631) 842-8088  
 www.lambro.net

TITLE: 4" Plastic Wall Exhaust Hood Vent  
 J-Channel - Spring Damper  
 Removable Screen - 11" Pipe  
 Made of polymer resin material with UV inhibitor used to help prevent the premature fading of vent

SIZE DWG. NO. REV  
**C 224W-JC**

SCALE: 1:2 WEIGHT: SHEET 1 OF 1