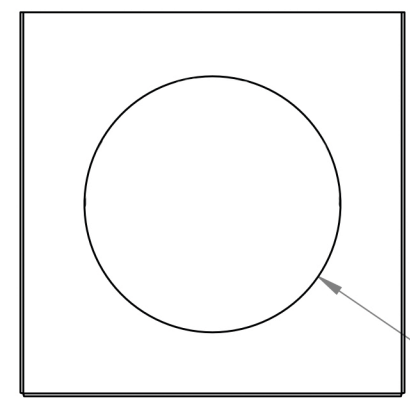
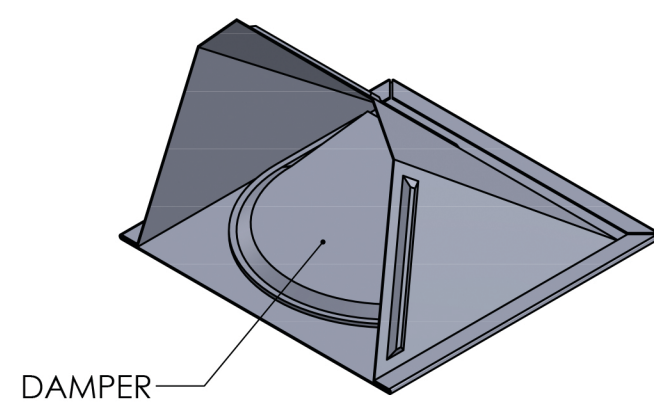
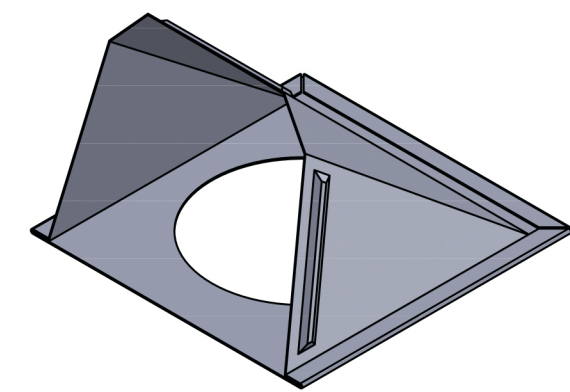
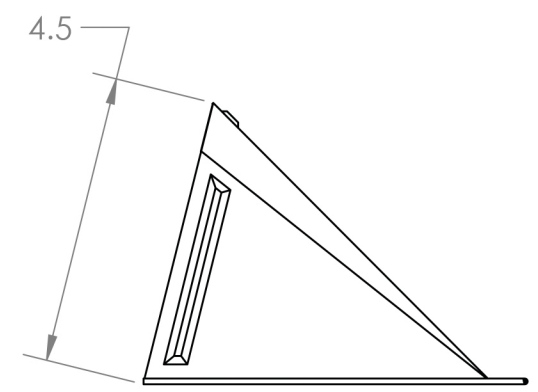
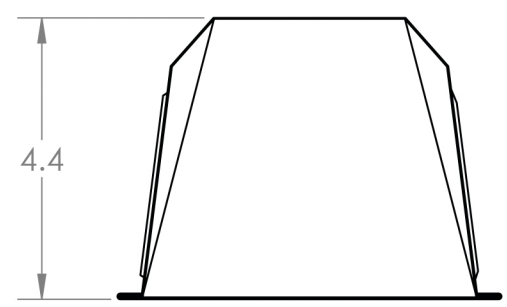
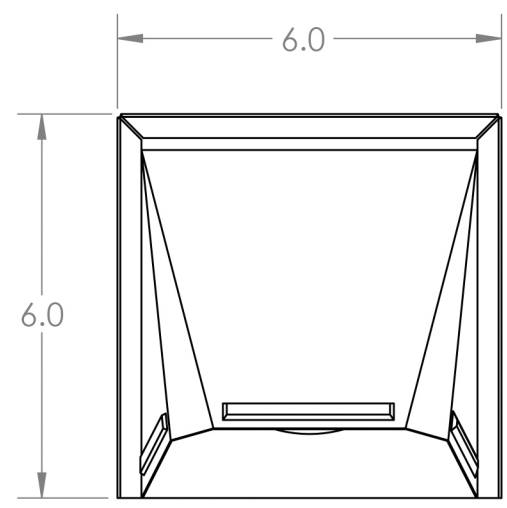


4

3

2

1



Ø 4.0



Lambro Industries, Inc.
 115 Albany Ave.
 Amityville, NY 11701
 (631) 842-8088
 www.lambro.net

TITLE: 4" Aluminum Wall Exhaust Hood Vent
 Spring Damper - Flush Mount
 Cover, Base & Damper: 26 Gauge

SIZE	DWG. NO.	REV
B	3440SPGNT	
SCALE: 1:3	WEIGHT:	SHEET 1 OF 1

UNLESS OTHERWISE SPECIFIED:		NAME	DATE
DIMENSIONS ARE IN INCHES		DRAWN	
TOLERANCES:		CHECKED	
FRACTIONAL ± 1/16		ENG APPR.	
ANGULAR: MACH ± 1 BEND ± 0.01		MFG APPR.	
TWO PLACE DECIMAL ± 0.01		Q.A.	
THREE PLACE DECIMAL ± 0.005		COMMENTS:	
INTERPRET GEOMETRIC TOLERANCING PER:		Net Free Area (NFA)	
MATERIAL		Mouth Opening: 20.5 sq. in.	
FINISH		Spring-Controlled Damper	
NEXT ASSY	USED ON		
APPLICATION		DO NOT SCALE DRAWING	

PROPRIETARY AND CONFIDENTIAL
 THE INFORMATION CONTAINED IN THIS DRAWING IS THE SOLE PROPERTY OF LAMBRO. ANY REPRODUCTION IN PART OR AS A WHOLE WITHOUT THE WRITTEN PERMISSION OF LAMBRO IS PROHIBITED.



4

3

2

1

B

B

A

A