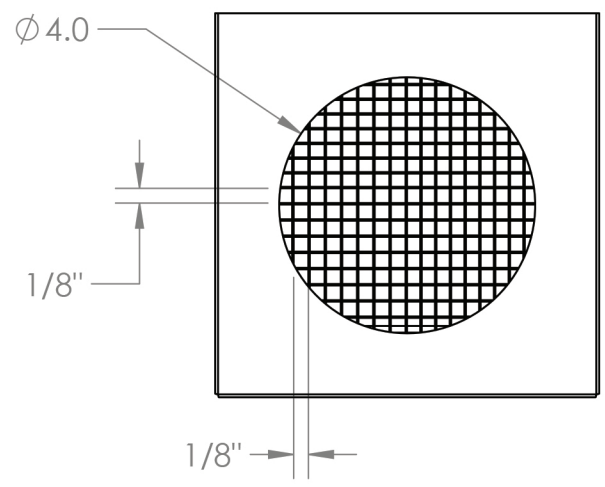
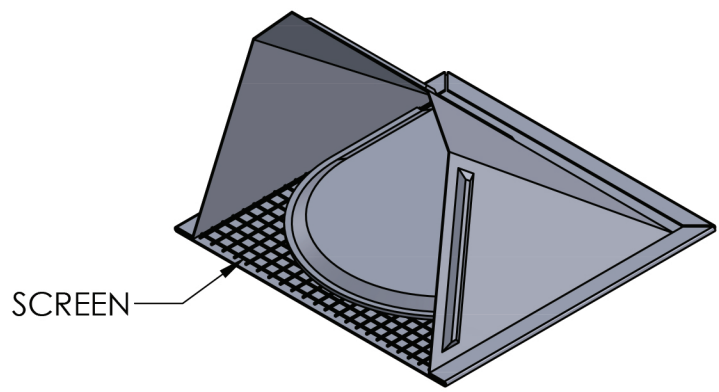
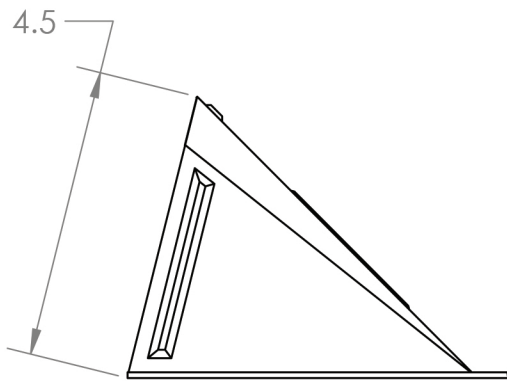
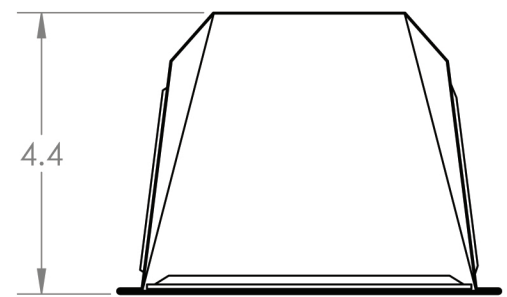
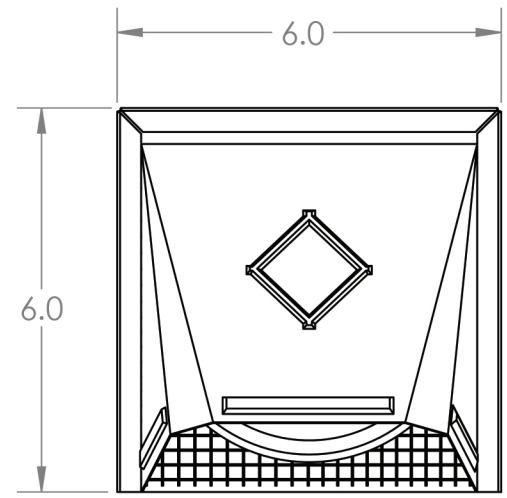


4

3

2

1



LAMBRO Lambro Industries, Inc.
 115 Albany Ave.
 Amityville, NY 11701
 (631) 842-8088
 www.lambro.net

TITLE: 4" Aluminum Wall Exhaust Hood Vent
 Damper - 1/8" Wire Mesh Screen
 Flush Mount
 Cover, Base & Damper: 26 Gauge

SIZE DWG. NO.
B 3440BSNT

SCALE: 1:3 WEIGHT: SHEET 1 OF 1

PROPRIETARY AND CONFIDENTIAL
 THE INFORMATION CONTAINED IN THIS DRAWING IS THE SOLE PROPERTY OF LAMBRO. ANY REPRODUCTION IN PART OR AS A WHOLE WITHOUT THE WRITTEN PERMISSION OF LAMBRO IS PROHIBITED.

UNLESS OTHERWISE SPECIFIED:		NAME	DATE
DIMENSIONS ARE IN INCHES		DRAWN	
TOLERANCES:		CHECKED	
FRACTIONAL ±1/16		ENG APPR.	
ANGULAR: MACH ±1 BEND ±.01		MFG APPR.	
TWO PLACE DECIMAL ±0.01		Q.A.	
THREE PLACE DECIMAL ±0.005		COMMENTS:	
INTERPRET GEOMETRIC TOLERANCING PER:		Net Free Area (NFA)	
MATERIAL		Without Screen: 20.5 sq. in.	
FINISH		With Screen: 8 sq. in.	
NEXT ASSY	USED ON		
APPLICATION		DO NOT SCALE DRAWING	



4

3

2

1

B

B

A

A