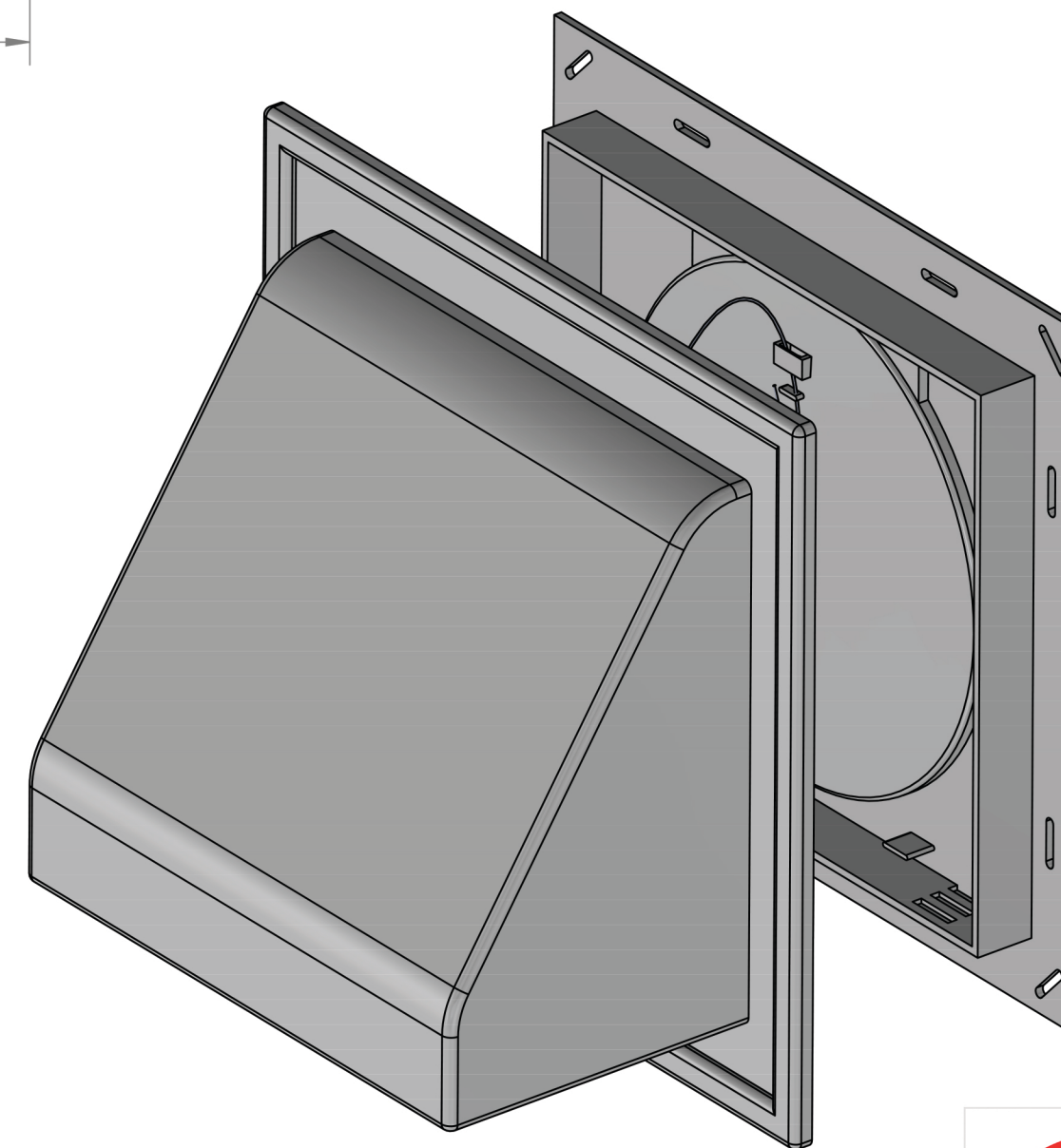
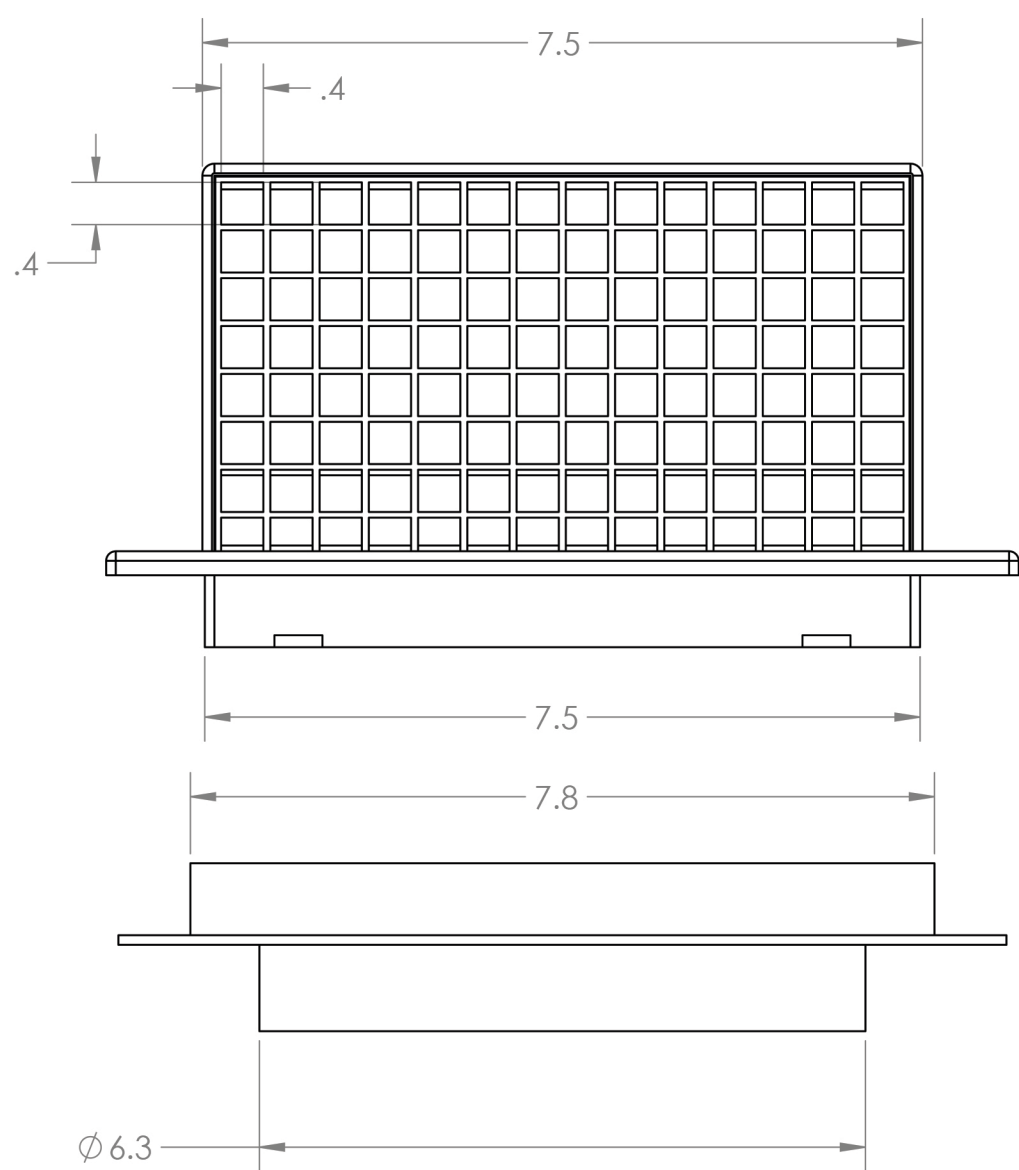
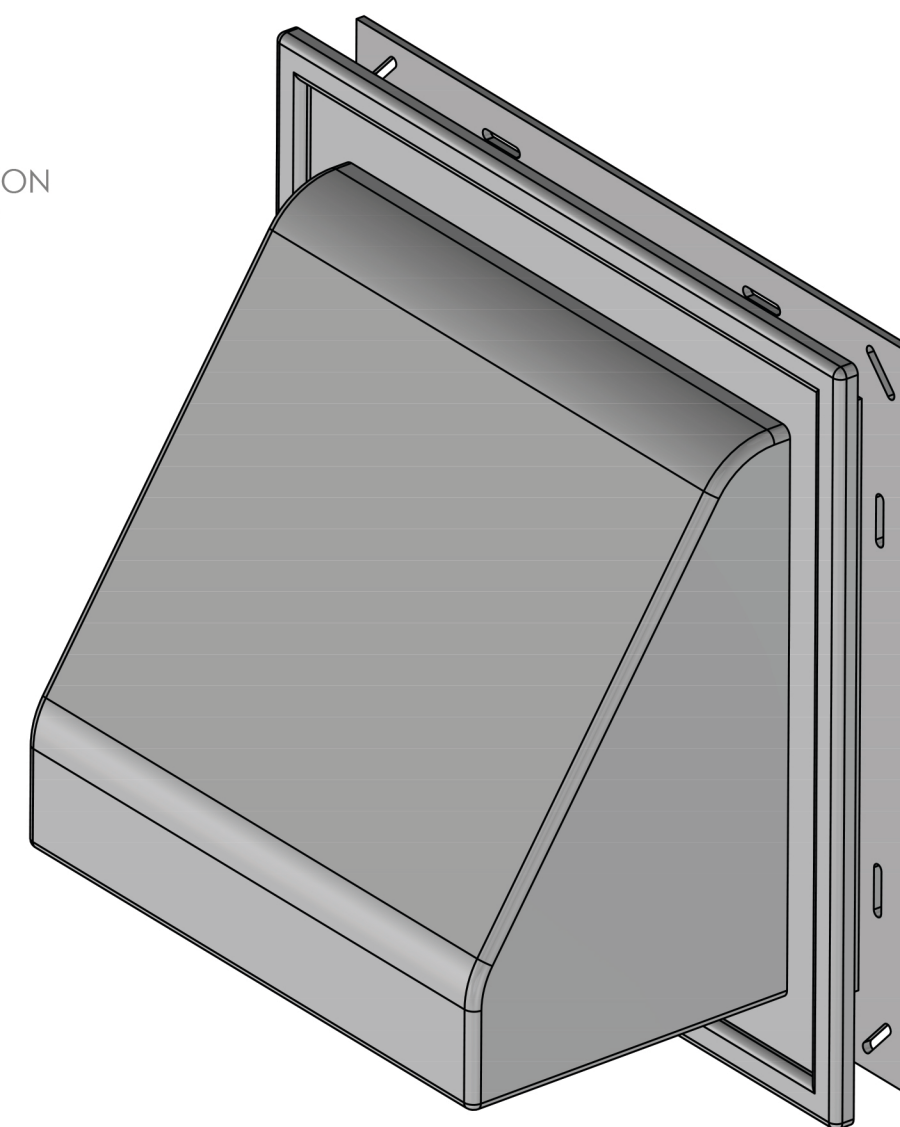
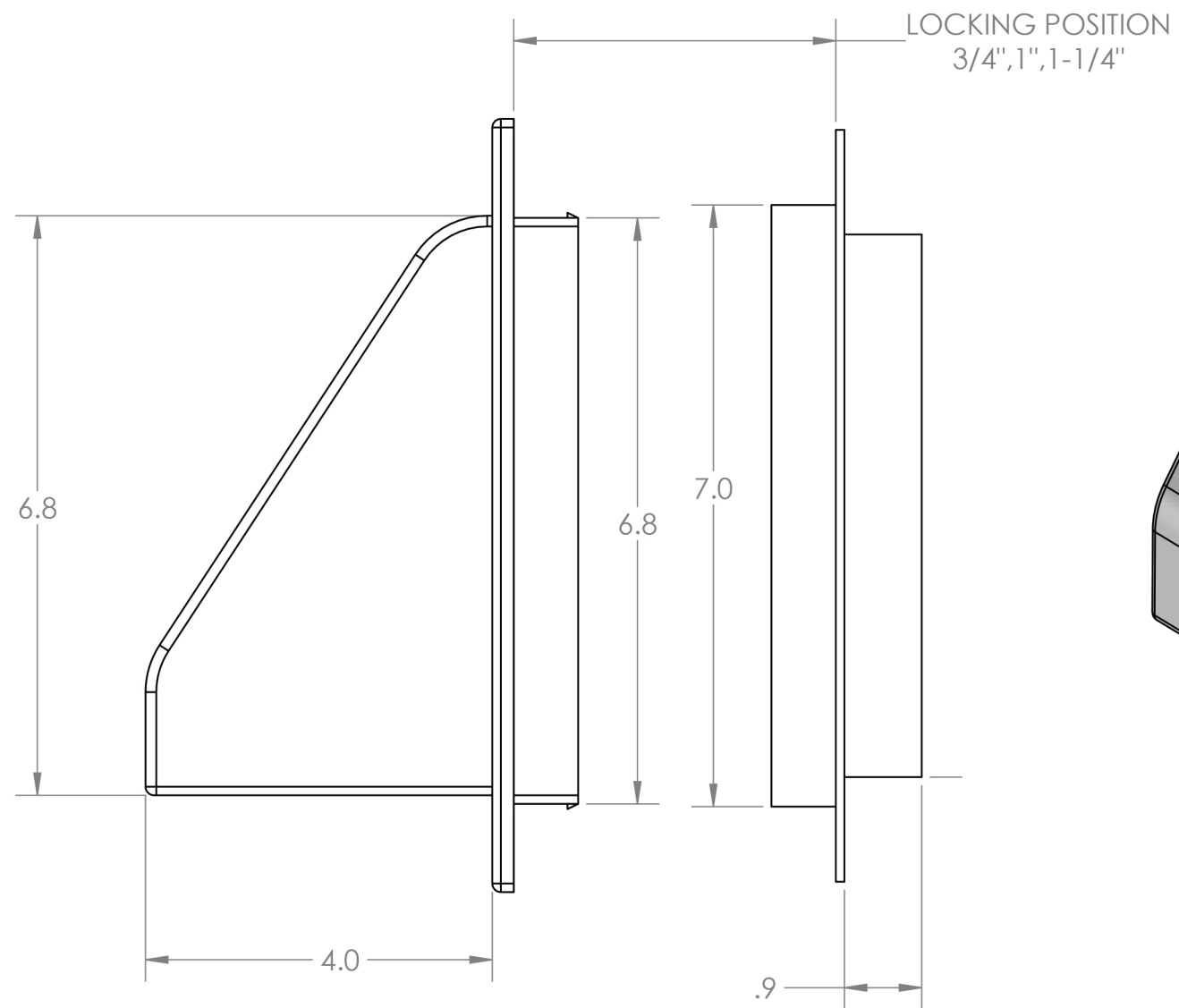
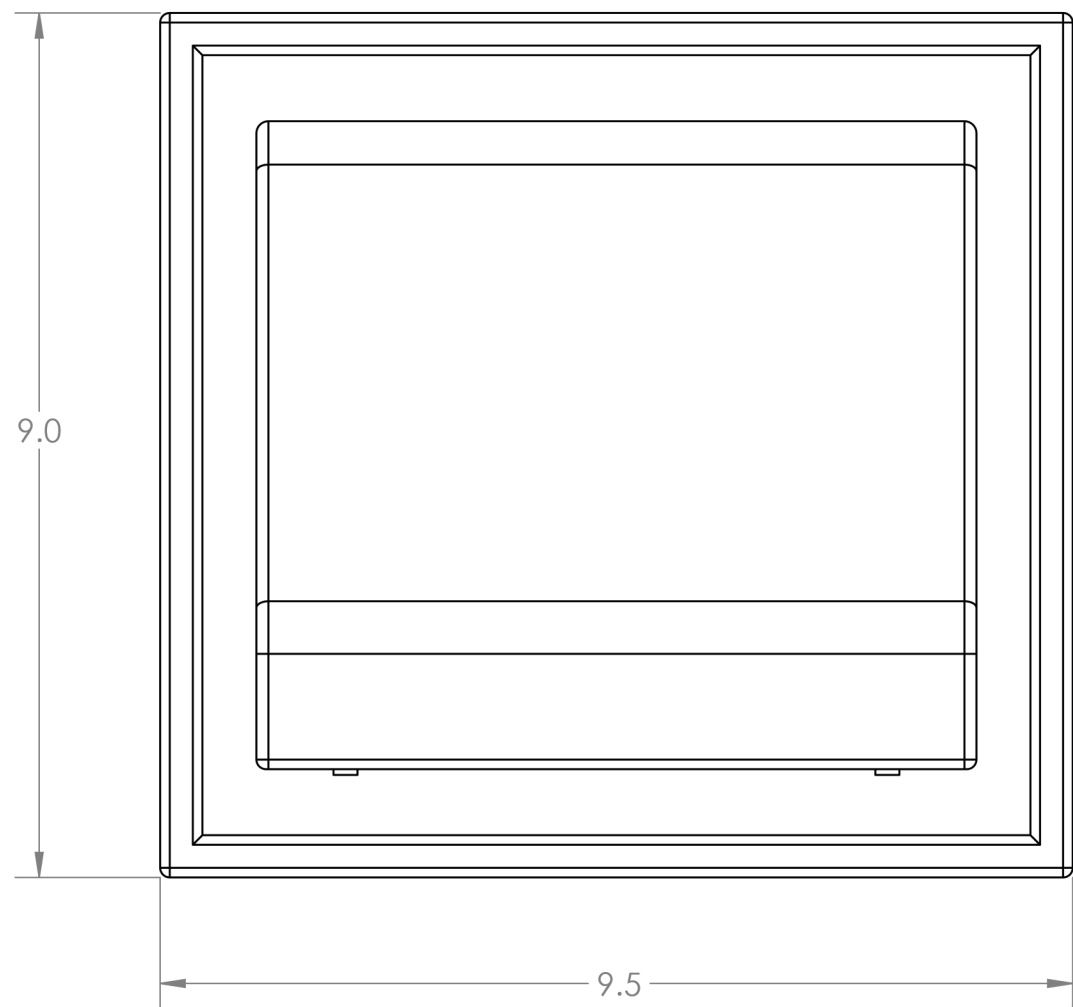


4

3

2

1



LAMBRO Lambro Industries, Inc.
115 Albany Ave.
Amityville, NY 11701
(631) 842-8088
www.lambro.net

PROPRIETARY AND CONFIDENTIAL
THE INFORMATION CONTAINED IN THIS DRAWING IS THE SOLE PROPERTY OF LAMBRO. ANY REPRODUCTION IN PART OR AS A WHOLE WITHOUT THE WRITTEN PERMISSION OF LAMBRO IS PROHIBITED.

UNLESS OTHERWISE SPECIFIED:		NAME	DATE
DIMENSIONS ARE IN INCHES		DRAWN	
TOLERANCES:		CHECKED	
FRACTIONAL ± 1/16		ENG APPR.	
ANGULAR: MACH ± 1 BEND ± .01		MFG APPR.	
TWO PLACE DECIMAL ± 0.01		Q.A.	
THREE PLACE DECIMAL ± 0.005		COMMENTS:	
INTERPRET GEOMETRIC TOLERANCING PER:		Net Free Area (NFA)	
MATERIAL		Without Screen: 29 sq. in.	
FINISH		With Screen: 18 sq. in.	
NEXT ASSY	USED ON	SCALE: 1:2	WEIGHT:
APPLICATION		DO NOT SCALE DRAWING	

TITLE: 6" Plastic Wall Exhaust Hood Vent
J-Channel - Spring Damper
Removable Screen - 1" Collar
Made of polymer resin material with UV inhibitor used to help prevent the premature fading of vent

SIZE DWG. NO. REV
C 3510W-JC

SHEET 1 OF 1



4

3

2

1